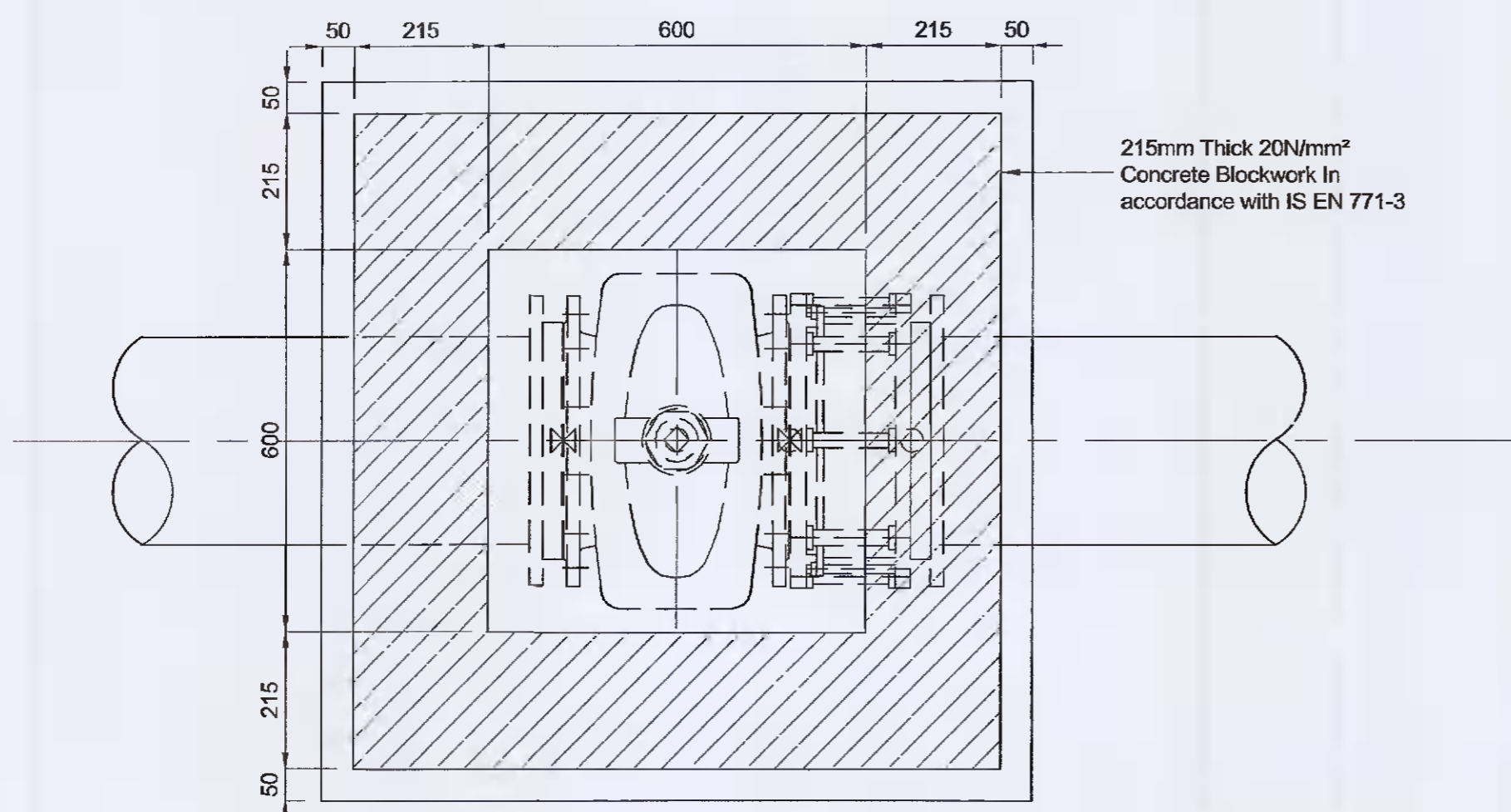
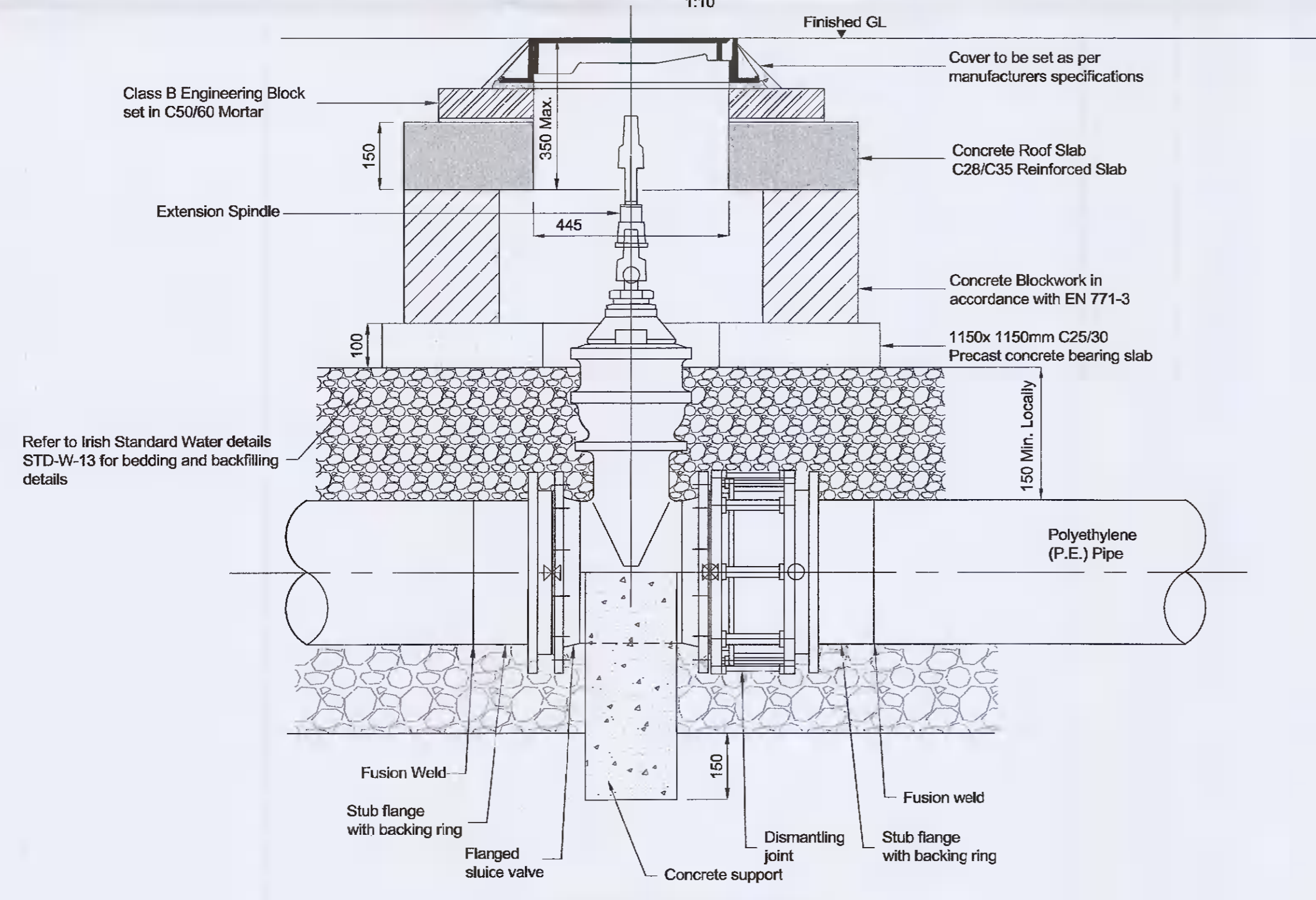


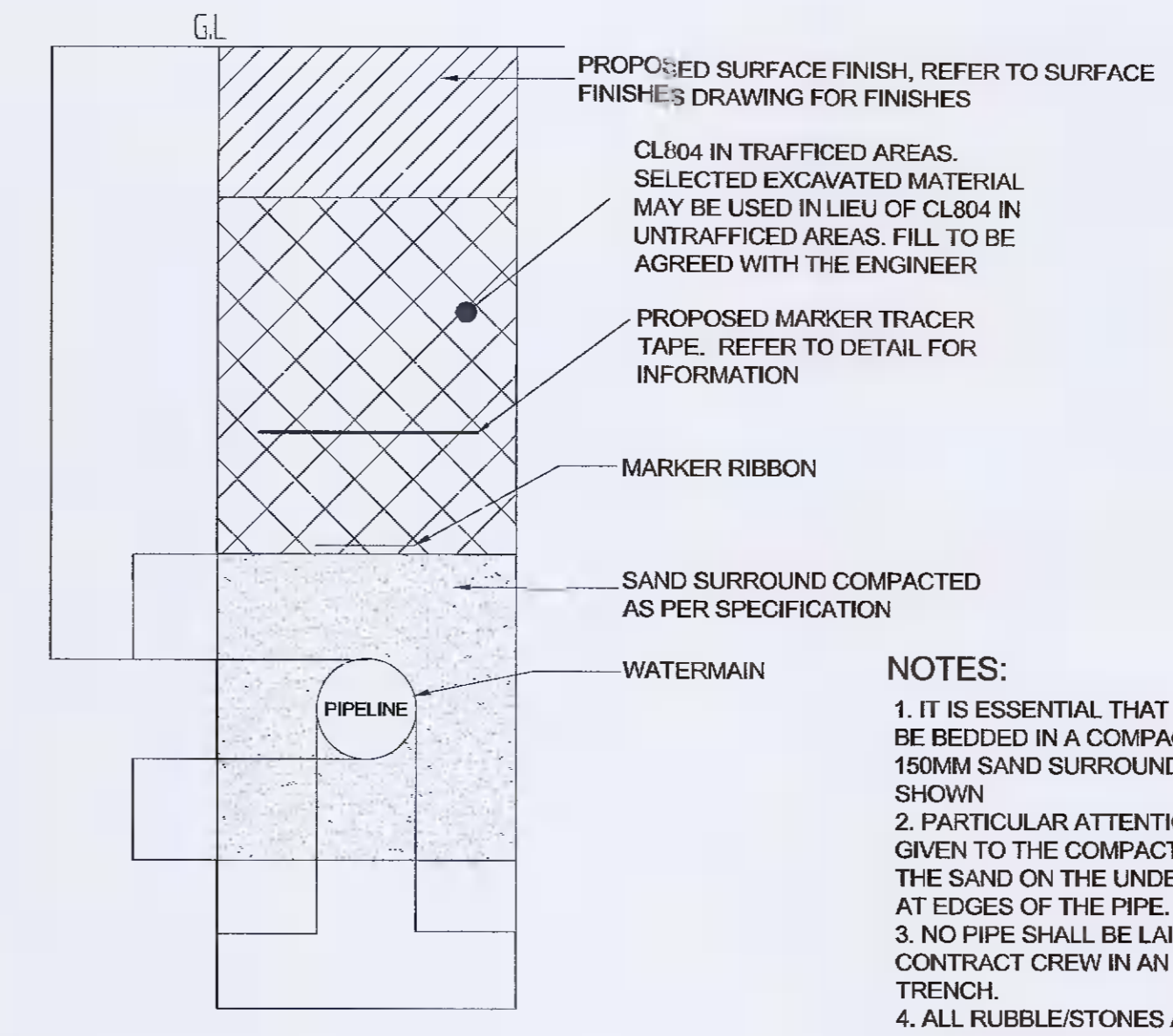
Sluice Valve Roof Plan
1:10



Sluice Valve Floor Plan
1:10

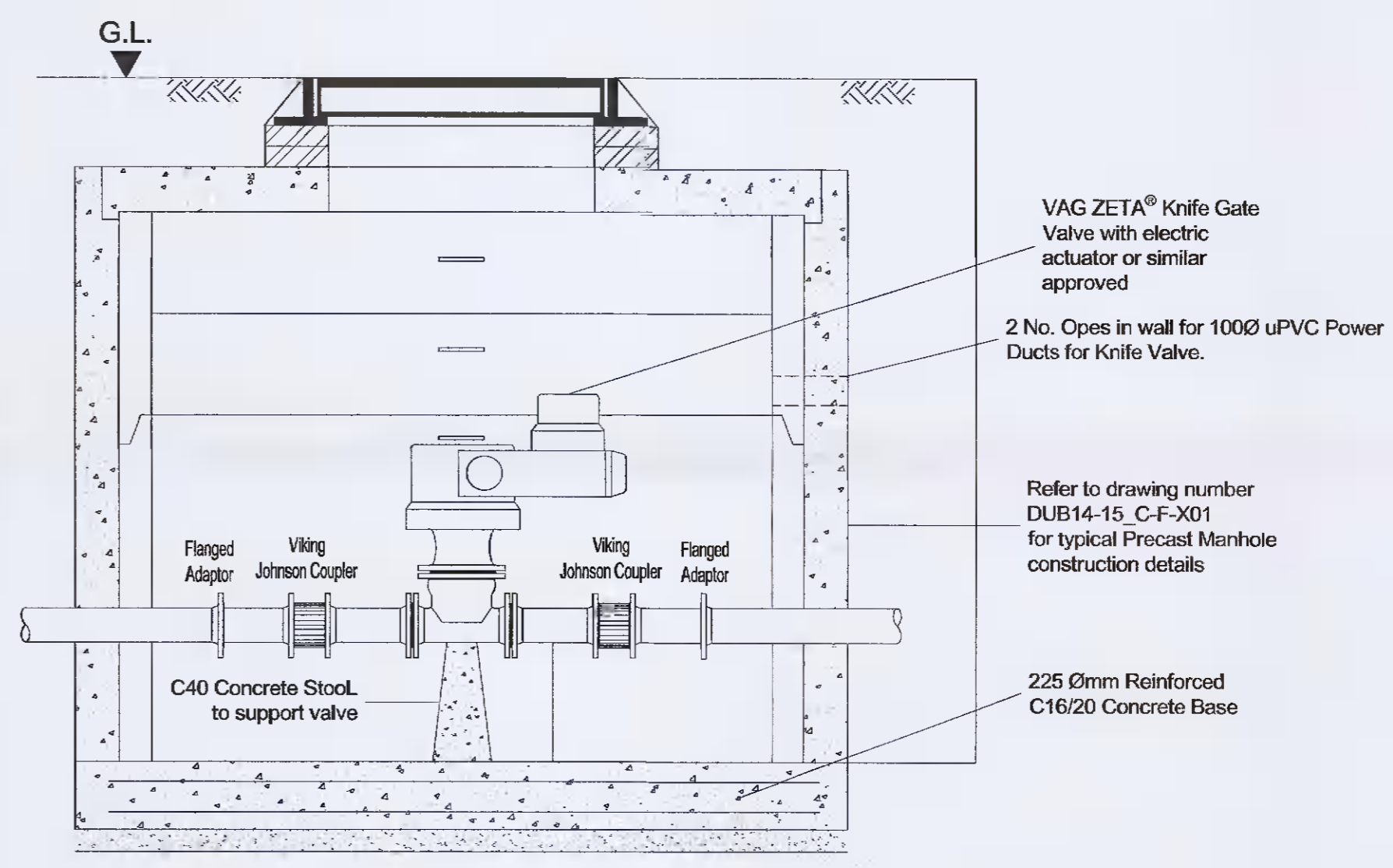


Sluice Valve Section
1:10

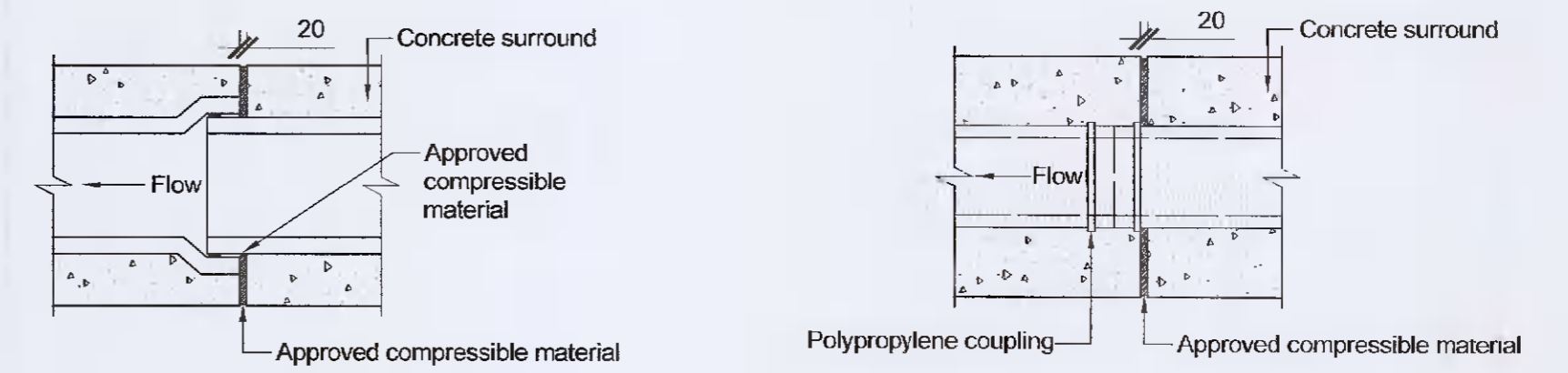


TYPICAL BEDDING DETAIL FOR WATERMAIN
SCALE 1:10

- NOTES:**
1. IT IS ESSENTIAL THAT THE MAIN BE BEDDED IN A COMPACTED 150MM SAND SURROUND AS SHOWN
 2. PARTICULAR ATTENTION IS TO BE GIVEN TO THE COMPACTION OF THE SAND ON THE UNDERSIDE AND AT EDGES OF THE PIPE.
 3. NO PIPE SHALL BE LAID BY A CONTRACT CREW IN AN UNSANDED TRENCH.
 4. ALL RUBBLE/STONES ARE TO BE REMOVED FROM AROUND THE MAIN PRIOR TO THE COMPACTION OF THE SAND.



Actuated Valve Chamber
SCALE 1:20



Flexible Joint for Concrete Surround
1:20

C01	13/07/21	DF	CDS	JMAC
Issued for Planning				
Rev	Date	By	Chkd	Appd

ARUP

Arup, 50 Ringsend Road
Dublin, D04 T0X0
www.arup.ie
Tel: +353(0)1 233 4455 Fax: +353(0)1 668 3166

Client
Digital Netherlands VIII B.V.
(Netherlands)

Project Title
INXN DUB15/16

Drawing Title
Standard Details Sheet 9 of 11

Scale at A1	As Shown
Role	Civil
Suitability	Planning
Arup Job No	Rev
280503-00	C01
Name	
IE-DUBZZ-STE1-EO-ARP-DR-C-0120	