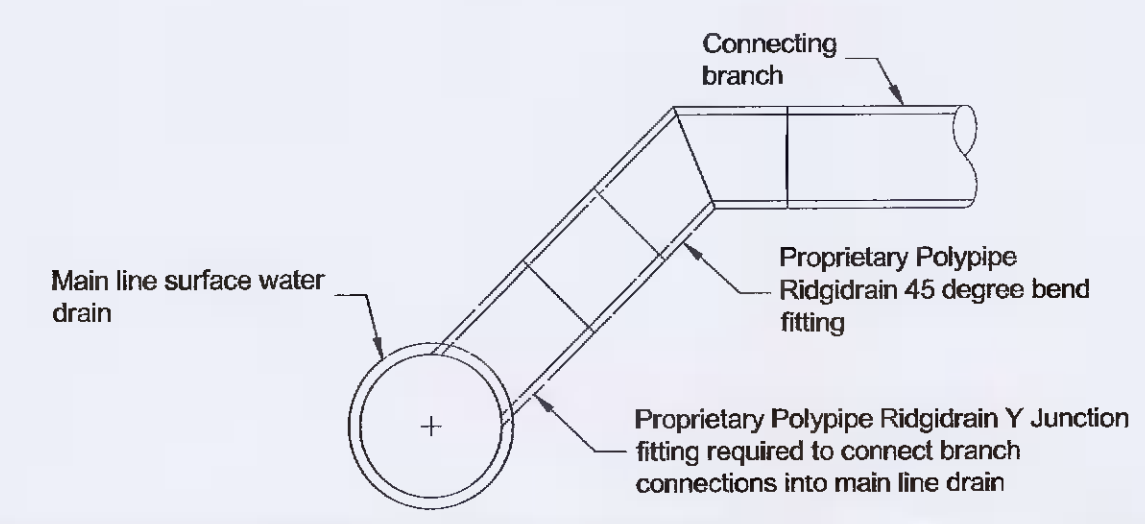
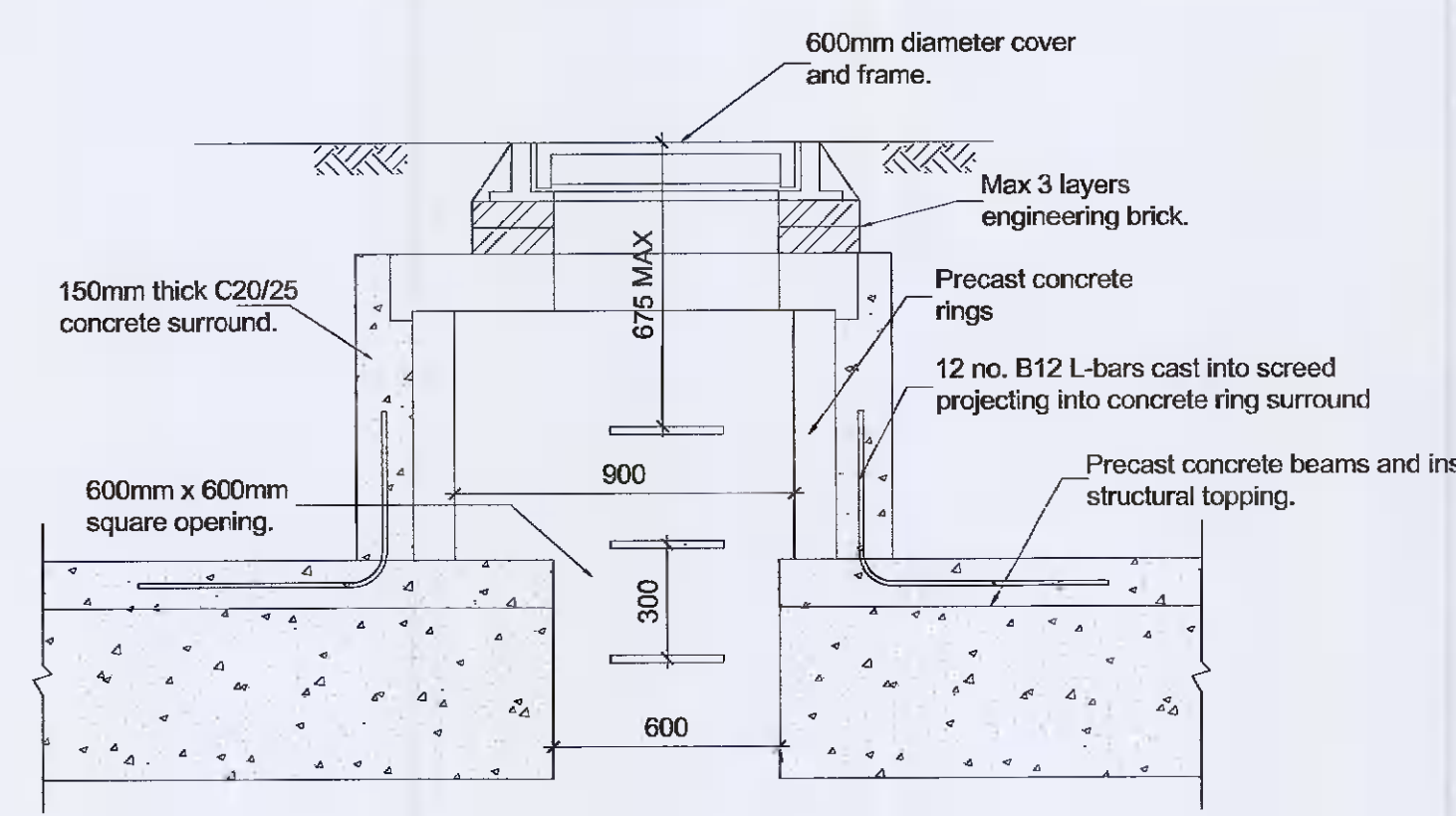


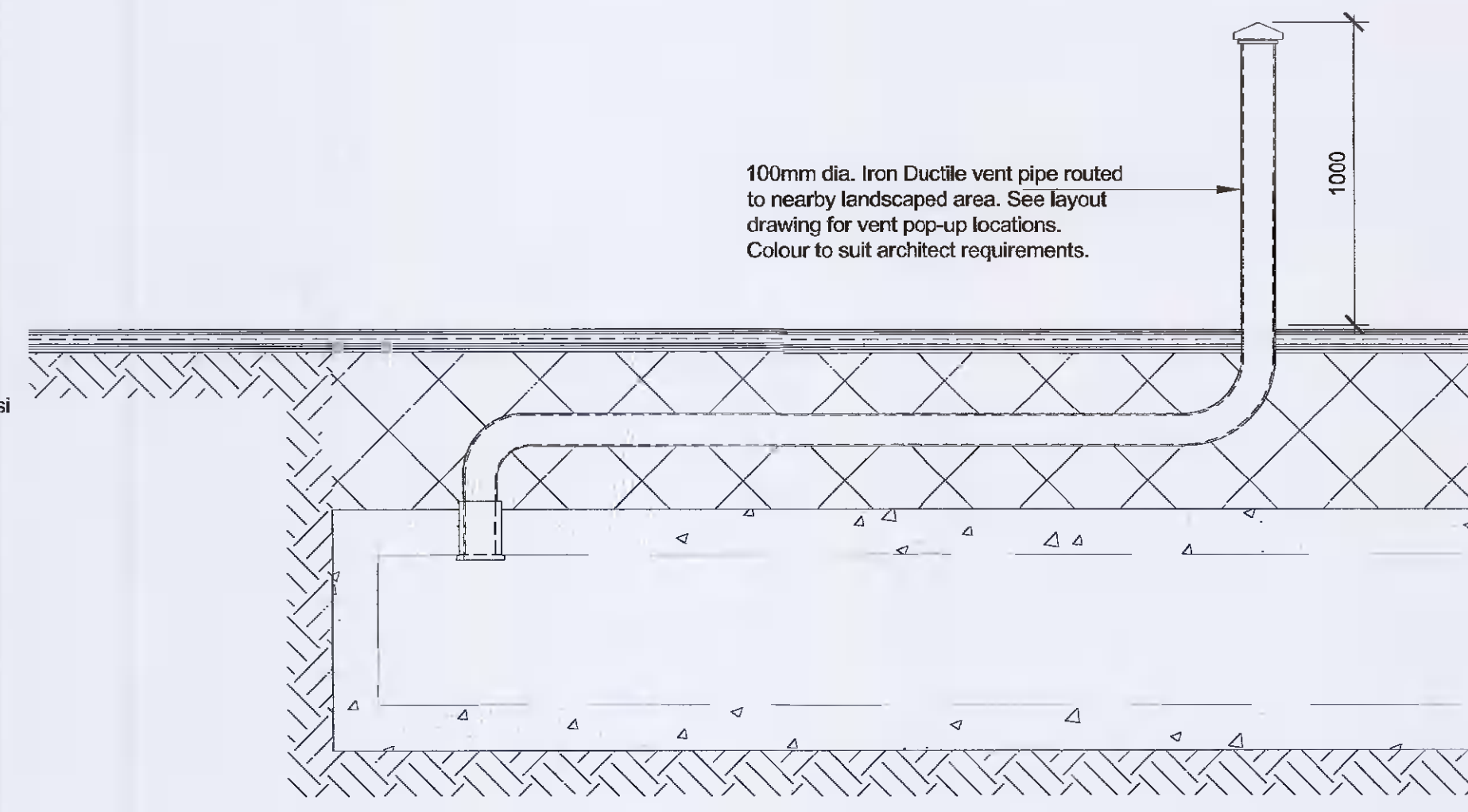
**Surface Water 'Y'  
Junction Detail - Plan  
View**  
Scale: 1:10



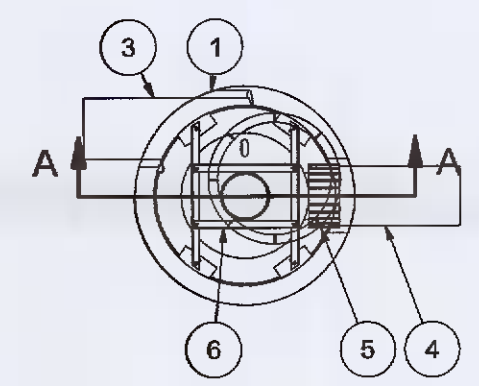
**Surface Water 'Y'  
Junction Detail -  
Section A-A**  
Scale: 1:10



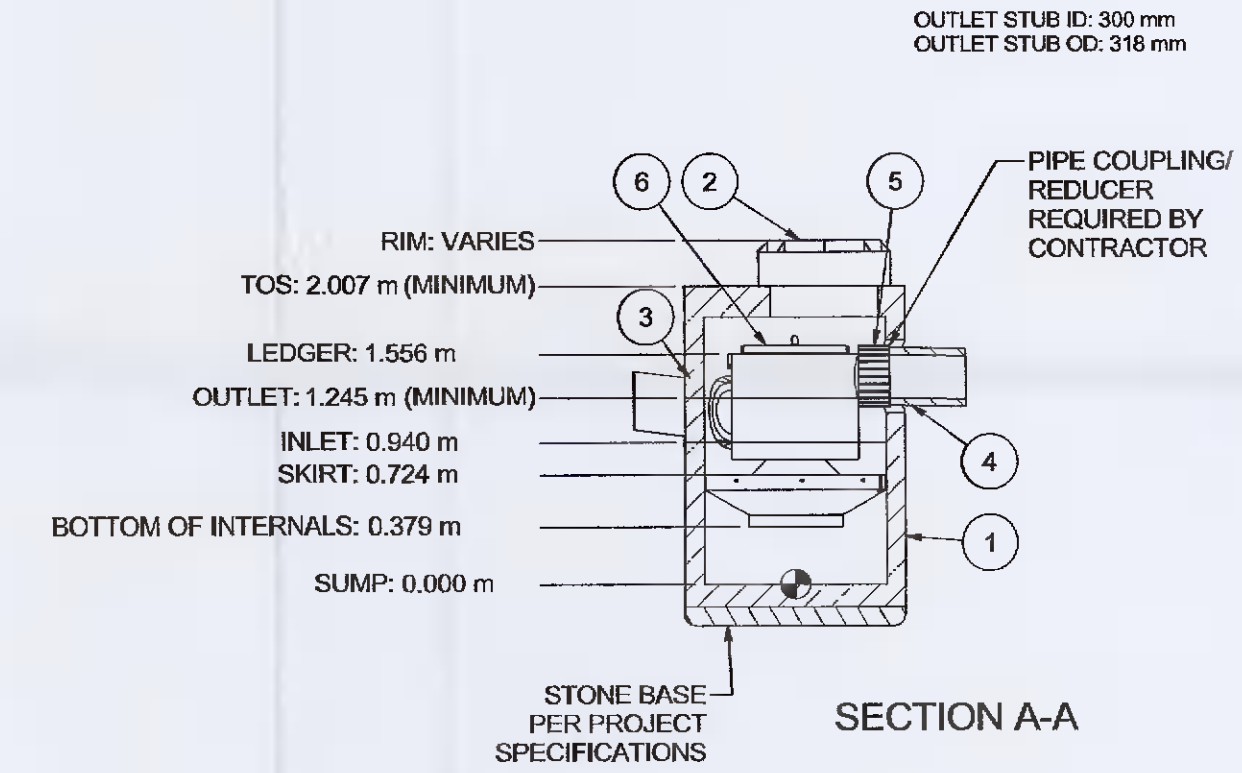
**Tank Access Chamber Detail**  
Scale: 1:20



**Typical Tank Vent Detail routed to nearby Landscaped Areas**  
Scale: 1:20



**HYDRO FRAME AND COVER (INCLUDED)**  
GRADE RINGS BY OTHERS AS REQUIRED



1. MANHOLE WALL AND SLAB THICKNESSES ARE NOT TO SCALE.  
2. CONTACT HYDRO INTERNATIONAL FOR A BOTTOM OF STRUCTURE ELEVATION PRIOR TO SETTING DOWNSTREAM DEFENDER MANHOLE.

NOTE: NOT FOR CONSTRUCTION. CONTACT HYDRO FOR SITE SPECIFIC DETAIL.

**EQUIPMENT PERFORMANCE**

The stormwater treatment unit shall adhere to the hydraulic parameters given in the chart below and provide the removal efficiencies and storage capacities as follows:

- The treatment system shall use an induced vortex to separate pollutants from stormwater runoff.
- Peak Hydraulic Capacity: 85 l/s
- Sediment Storage Capacity: 0.53 cu. m  
Continuous Oil Storage Capacity: 265 liters
- Sediment shall be stored in a zone that is isolated from the main flow path and protected from reentrainment by a benching skirt.

PARTS LIST			
ITEM	QTY	SIZE (mm)	DESCRIPTION
1	1	1200	PRECAST MANHOLE (BY HYDRO VIA PRECASTER)
2	1	750	FRAME AND COVER
3	1	300 (MAX)	INLET PIPE (BY OTHERS)
4	1	300 (MAX)	OUTLET PIPE (BY OTHERS)
5	1		PIPE COUPLING (BY OTHERS)
6	1		INTERNAL COMPONENTS (PRE-INSTALLED)

**Surface Water Treatment System**  
(Hydro International Downstream Defender or similar approved)  
Scale: 1:50

C01	16/07/21	DF	CDS	JMAC
Issued for Planning				
Rev	Date	By	Chkd	Appd

**ARUP**

Arup, 60 Ringwood Road  
Dublin, D04 T6X0  
www.arup.ie  
Tel +353(0)1 233 4455 Fax +353(0)1 658 3169

Client  
**Digital Netherlands VIII B.V.**  
(Netherlands)

Project Title  
**INXN DUB15/16**

Drawing Title  
**Standard Details Sheet 7 of 11**

Scale at A1	As Shown
Role	Civil
Subsidiary	Planning
Arup Job No	280503-00
Rev	C01
Name	IE-DUBZZ-STE1-EO-ARP-DR-C-0118