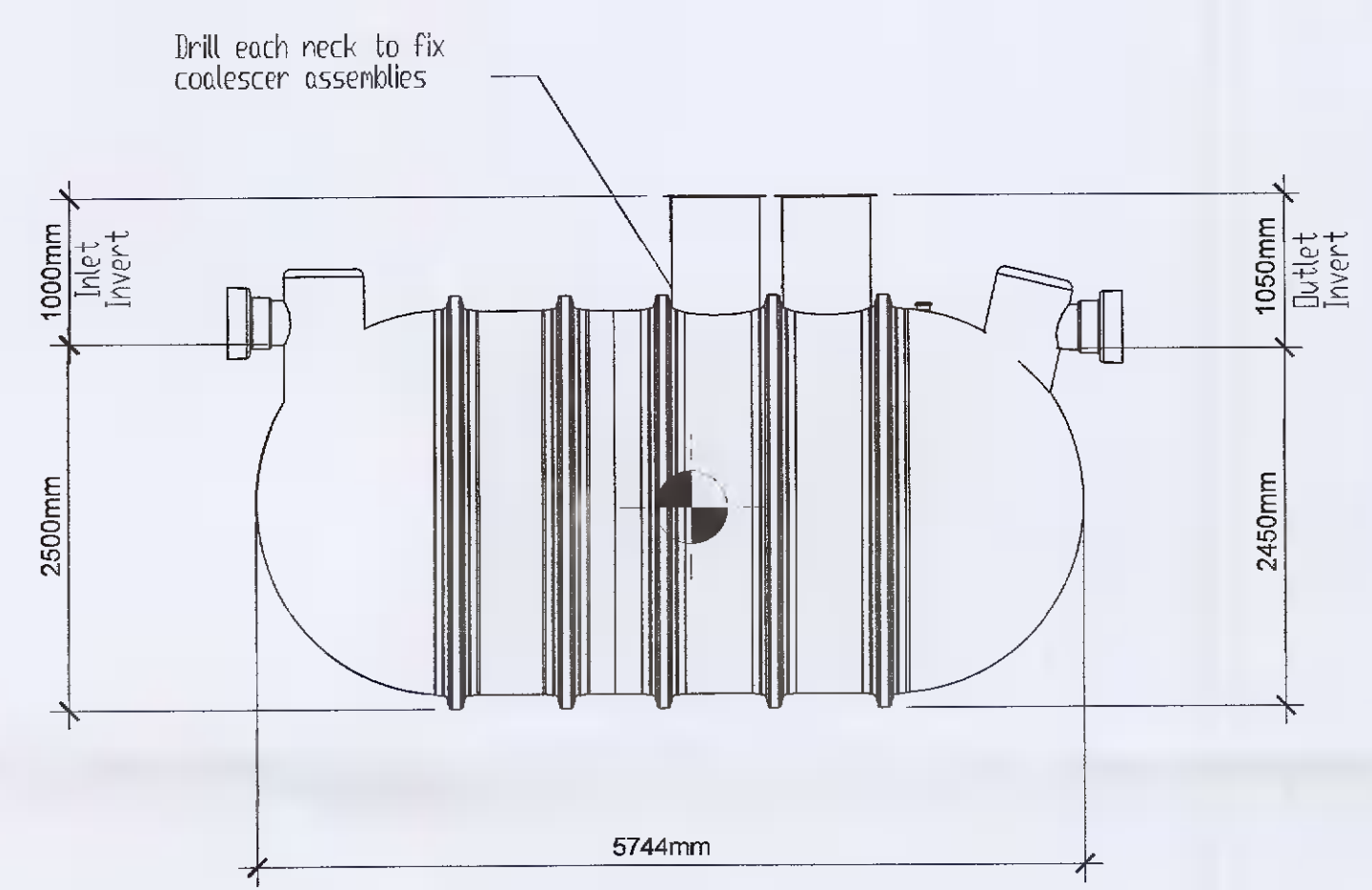
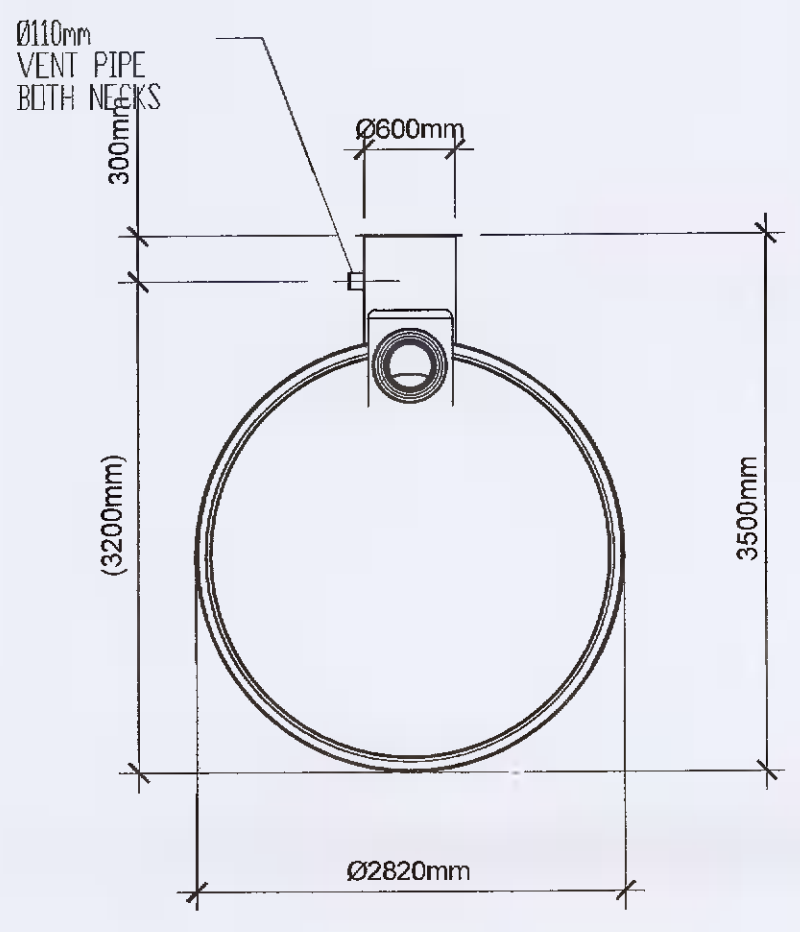


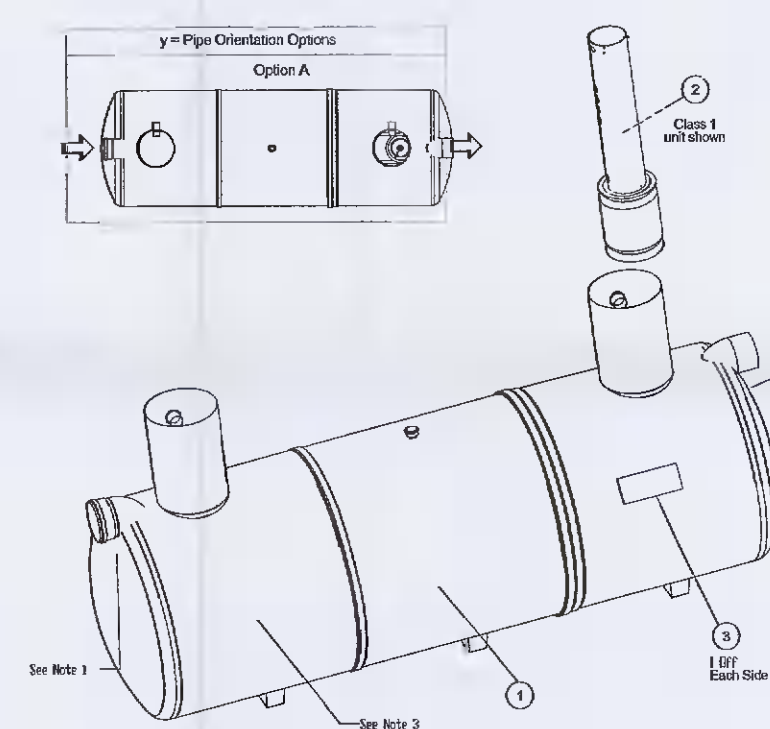
Drawing: NSFA040.yzmm Page 1 of 2
NSFA040 Full Retention Separator

NSFA040
LOCATION REFERENCE PI 1

- Notes:-
- "INLET" to be stencilled adjacent to inlet pipework. Lettering to be legible.
 - "OUTLET" to be stencilled adjacent to outlet pipework. Lettering to be legible.
 - "DESCRIPTION", "DATE BUILT", "DATE TESTED" & "W/O NUMBER" to be completed onto a Data Label and fitted to the side of the main tank. Lettering to be legible.

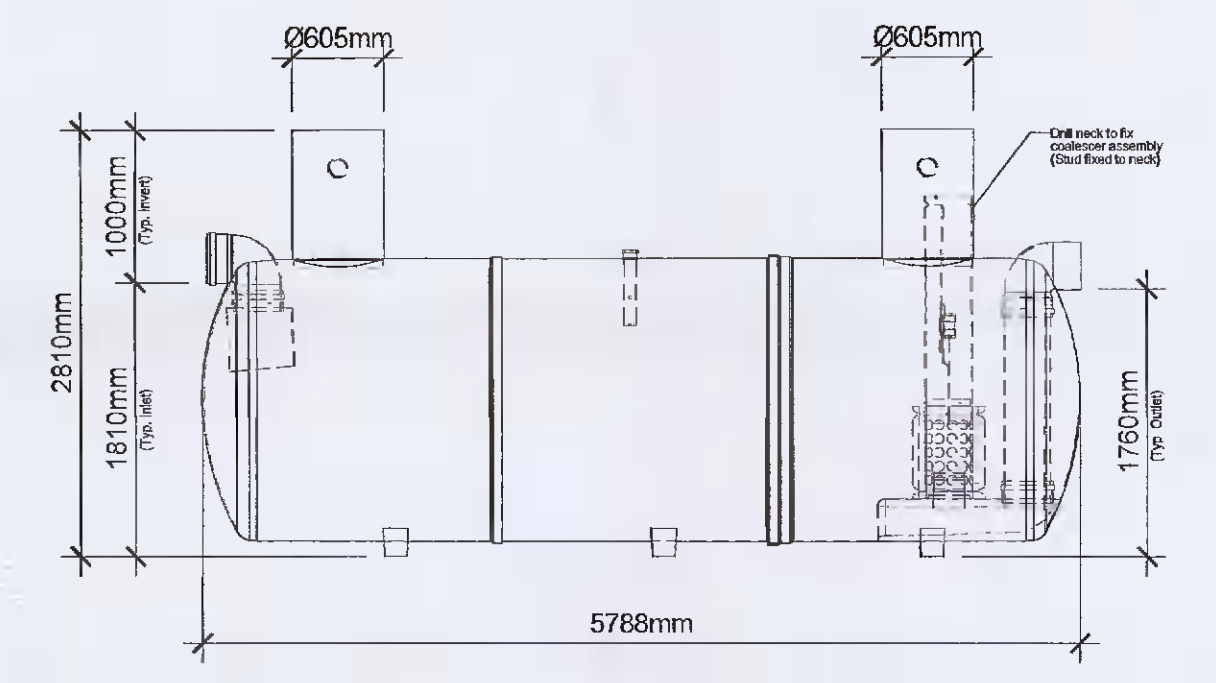


NSFA080
LOCATION REFERENCE PI 4&5



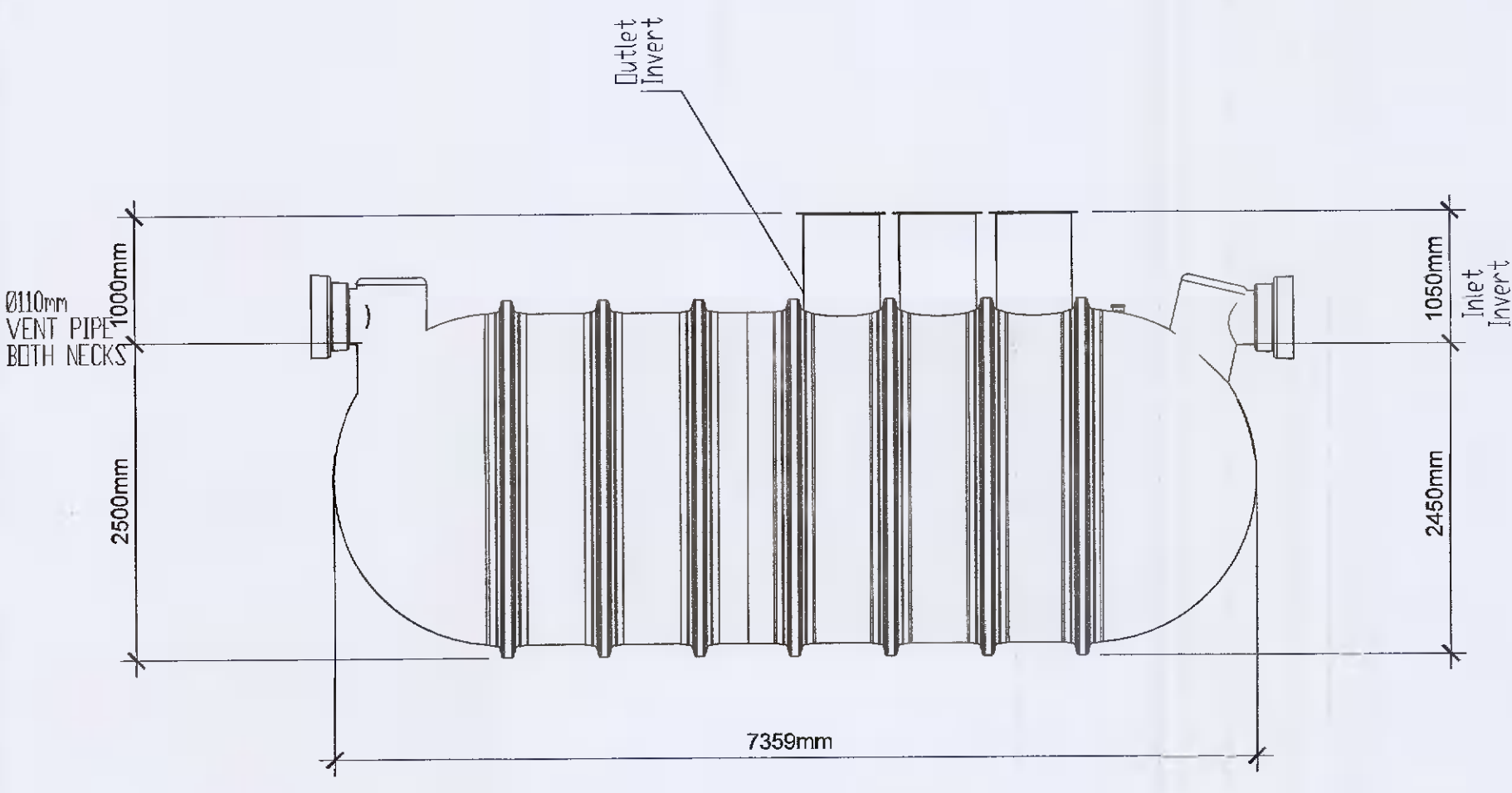
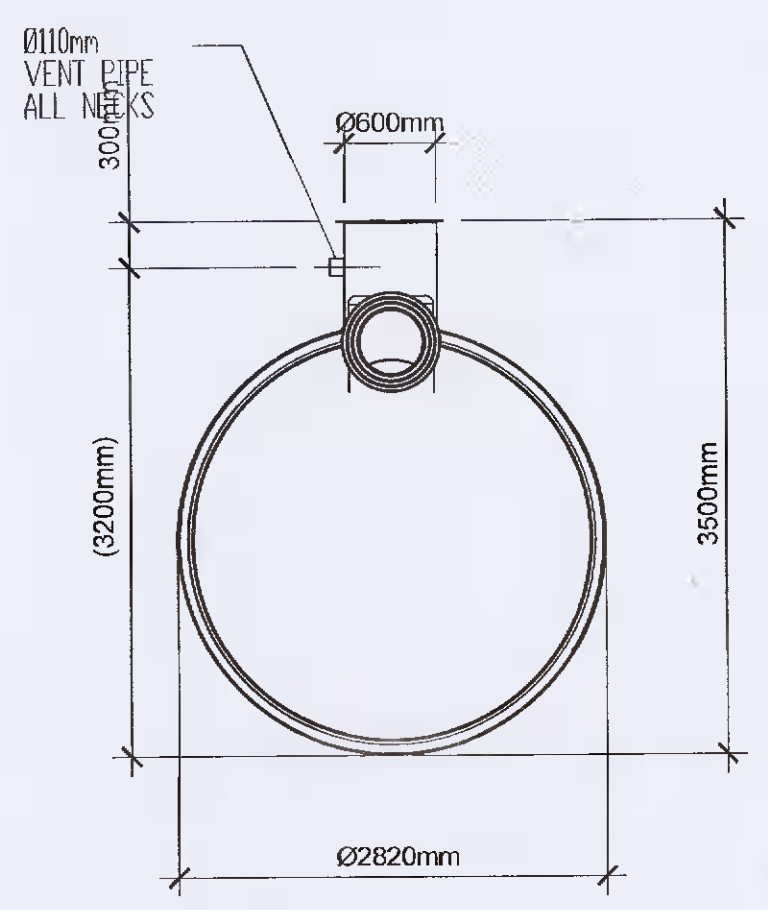
- Notes:-
- "INLET" to be stencilled adjacent to inlet pipework. Lettering to be legible.
 - "OUTLET" to be stencilled adjacent to outlet pipework. Lettering to be legible.
 - "DESCRIPTION", "DATE BUILT", "DATE TESTED" & "W/O NUMBER" to be completed onto a Data Label and fitted to the side of the main tank. Lettering to be legible.

| | |
|--------------|---------|
| (Class) | Item 2 |
| 1 | NSFA040 |
| 2 | NSFA040 |
| (Pipe Size) | Item 1 |
| 2 | NSFA040 |
| (Alarm Type) | Item 1 |
| A | NSFA040 |
| (Brand) | Item 3 |
| L | NSFA040 |
| T | NSFA040 |
| C | NSFA040 |
| E | NSFA040 |
| L | NSFA040 |
| P | NSFA040 |



Drawing: NSFA050.yzmm Page 1 of 1
NSFA050 Full Retention Separator

NSFA050
LOCATION REFERENCE PI 3



NSFA125
LOCATION REFERENCE PI 2

| LOCATION REF. | UNIT REF. | UNIT CLASS | NOMINAL FLOW RATE (L/s) | 'L' OVERALL LENGTH | 'A' BASE TO INLET INVERT | 'B' OUTLET INVERT | 'C' STD. PIPE DIA. (GRP) |
|---------------|-----------|------------|-------------------------|--------------------|--------------------------|-------------------|--------------------------|
| PI 1 | NSFA040 | 1 | 40 | 4750 | 1810 | 1760 | 315 |
| PI 3 | NSFA050 | 1 | 50 | 5970 | 1810 | 1760 | 315 |
| PI 4 & PI 5 | NSFA080 | 1 | 80 | 5744 | 2500 | 2450 | 315 |
| PI 2 | NSFA125 | 1 | 125 | 7365 | 2500 | 2450 | 450 |

*Based on peak flow & catchment size from Klargestor Separator Technical Literature

Full Retention Petrol Interceptor
(Kingspan NSFA040/050/080/125 or similar approved)
Scale: 1:20

| | | | | |
|---------------------|----------|----|------|------|
| C01 | 13/07/21 | DF | CDS | JMAC |
| Issued for Planning | | | | |
| Rev | Date | By | Chkd | Appd |

ARUP

Arup, 50 Ringsend Road
Dublin, D04 T6X0
www.arup.ie
Tel +353(0)1 233 4455 Fax +353(0)1 668 3166

Client
Digital Netherlands VIII B.V.
(Netherlands)

Project Title
INXN DUB15/16

Drawing Title
Standard Details Sheet 5 of 11

| | |
|-------------|--------------------------------|
| Scale at A1 | As Shown |
| Role | Civil |
| Suitability | Planning |
| Arup Job No | 280503-00 |
| Rev | C01 |
| Name | IE-DUBZZ-STE1-EO-ARP-DR-C-0116 |