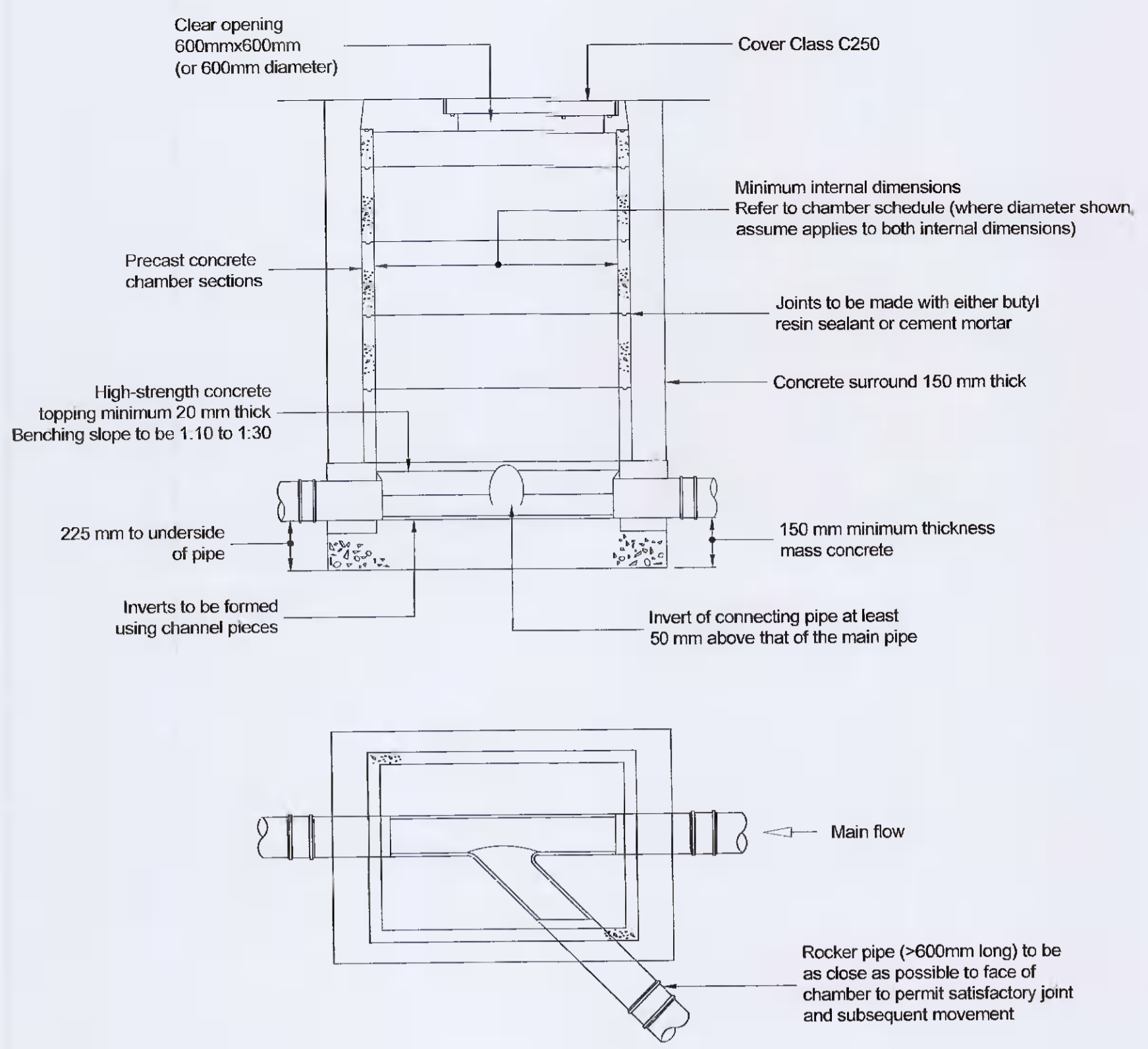
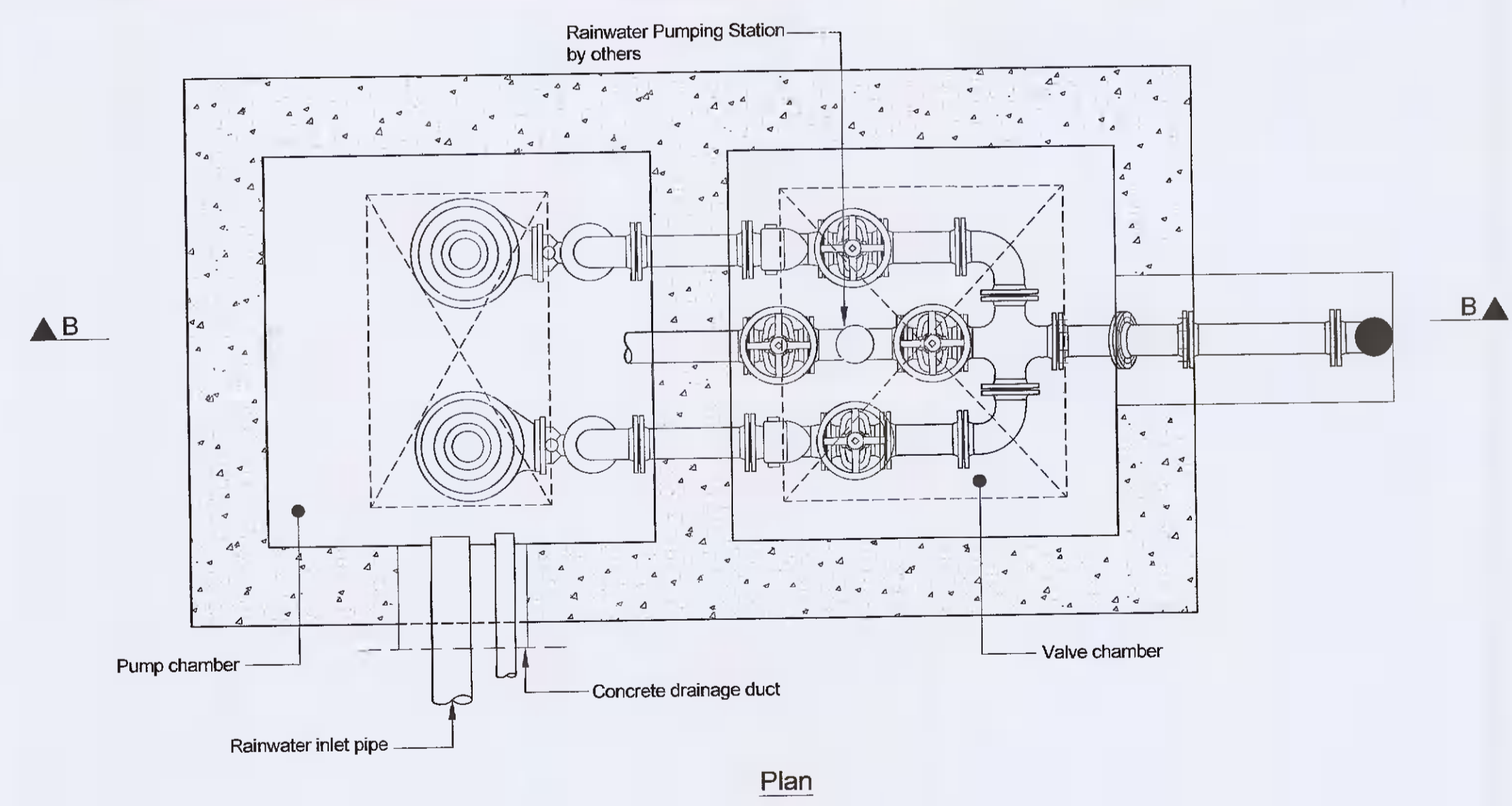


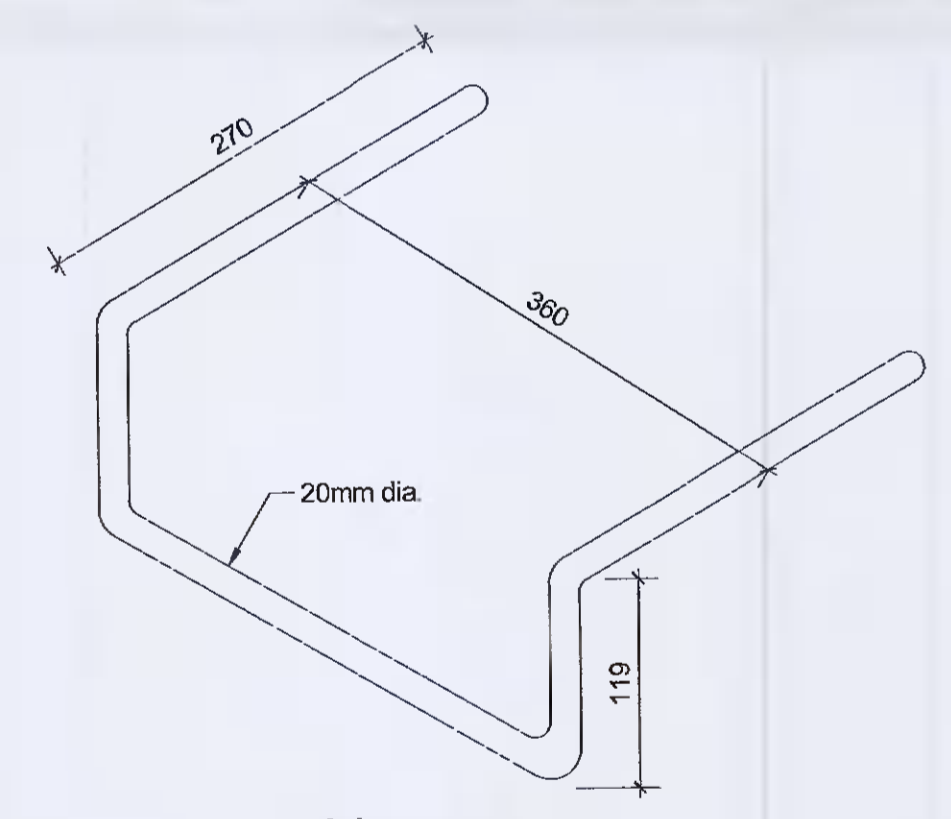
Section B-B



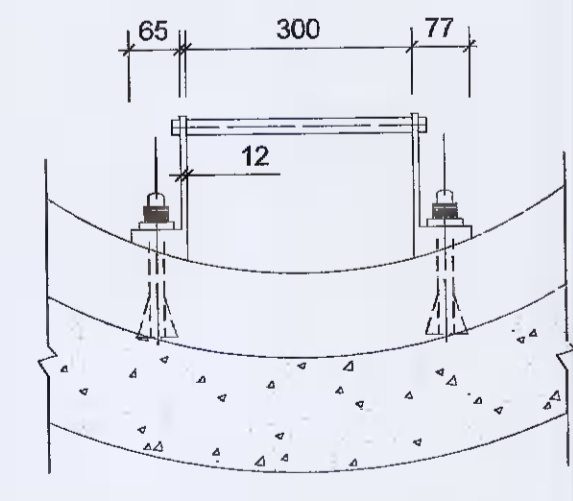
Inspection Chamber - Concrete  
1:20



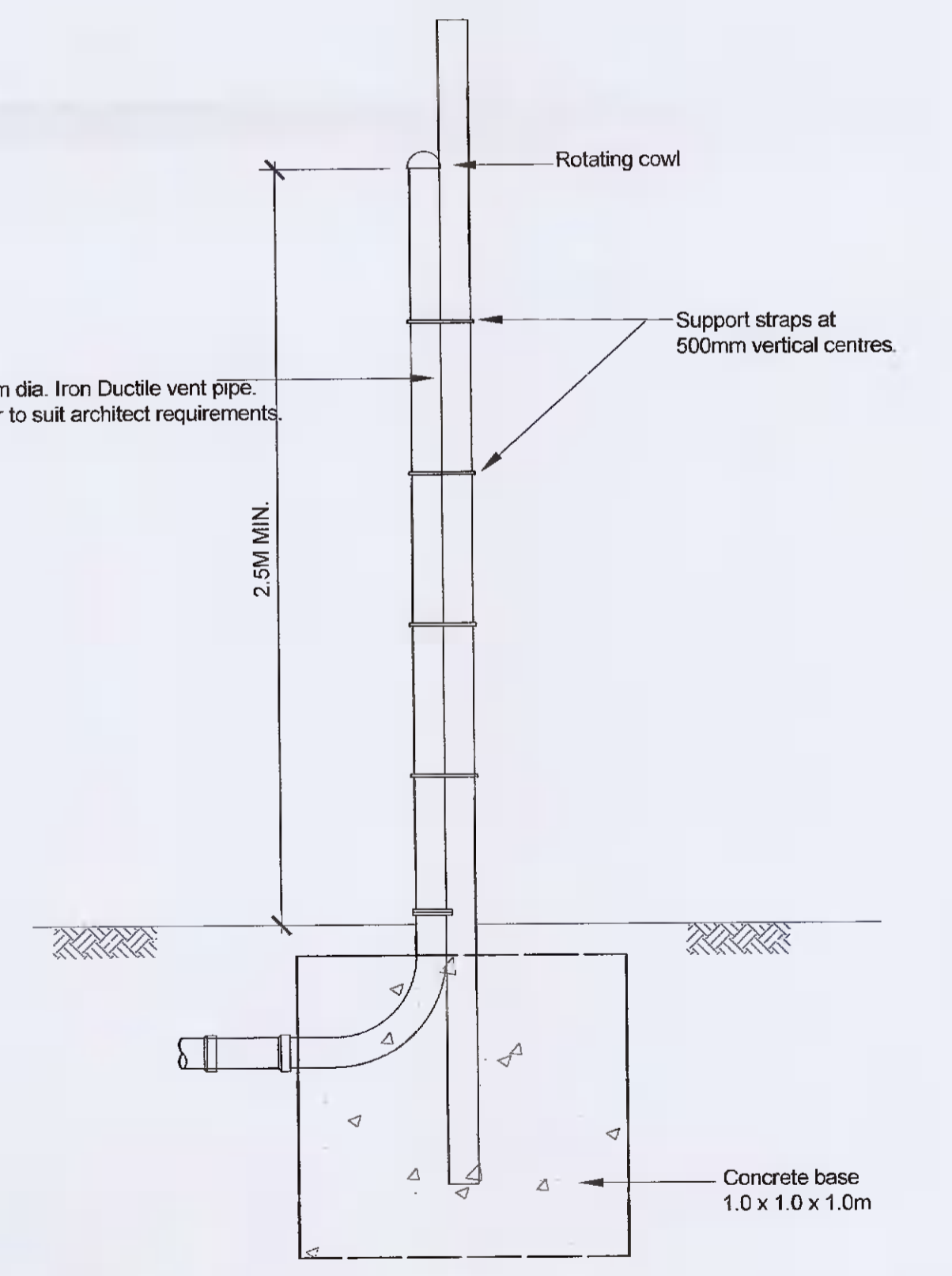
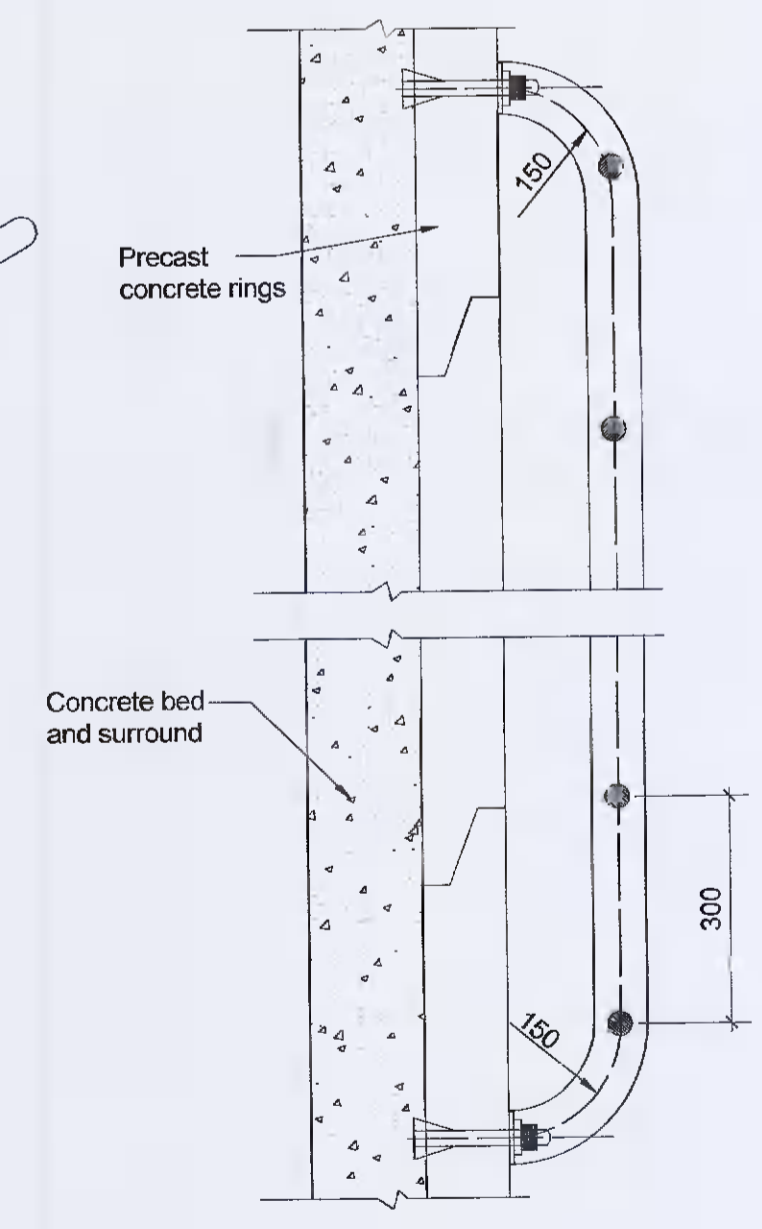
Typical Rainwater Pumping Station Valve Chamber  
Scale: 1:20



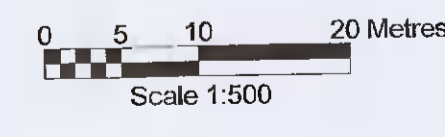
Ladder rungs  
1:20



Access Ladder Detail  
1:10



Typical Section Through Petrol Interceptor Vent Pipe  
Scale: 1:20



C01	16/07/21	DF	CDS	JMAC
Issued for Planning				
Rev	Date	By	Chkd	Appd

**ARUP**

Asip, 60 Ringsend Road  
Dublin, D04 T8X0  
www.arup.ie  
Tel +353(0)1 238 4425 Fax +353(0)1 668 3169

Client  
Digital Netherlands VIII B.V.  
(Netherlands)

Project Title  
INXN DUB15/16

Drawing Title  
Standard Details Sheet 4 of 11

Scale at A1	As Shown
Role	Civil
Sustainability	Planning
Asip Job No	280503-00
Rev	C01
Name	IE-DUBZZ-STE1-EO-ARP-DR-C-0115