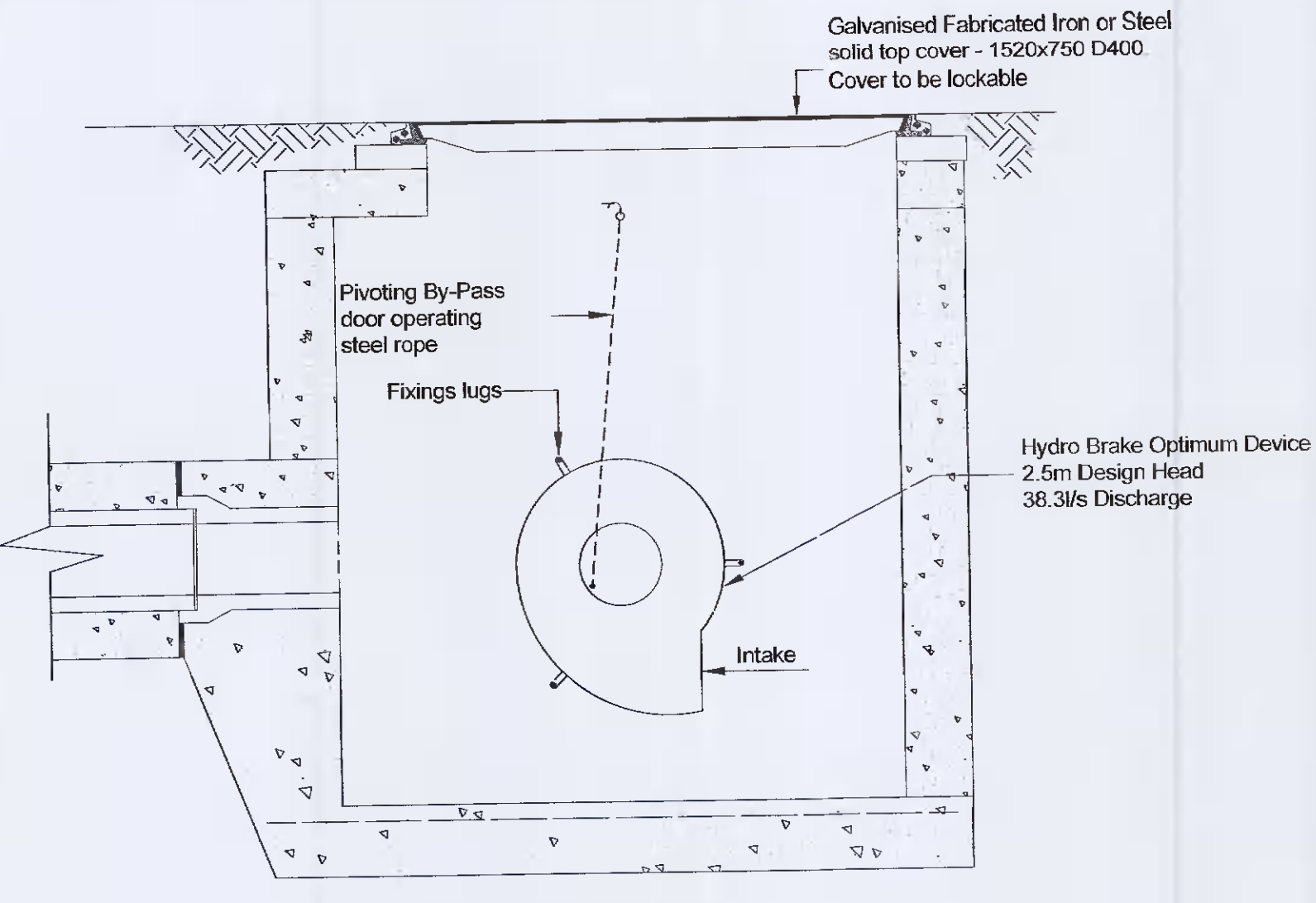
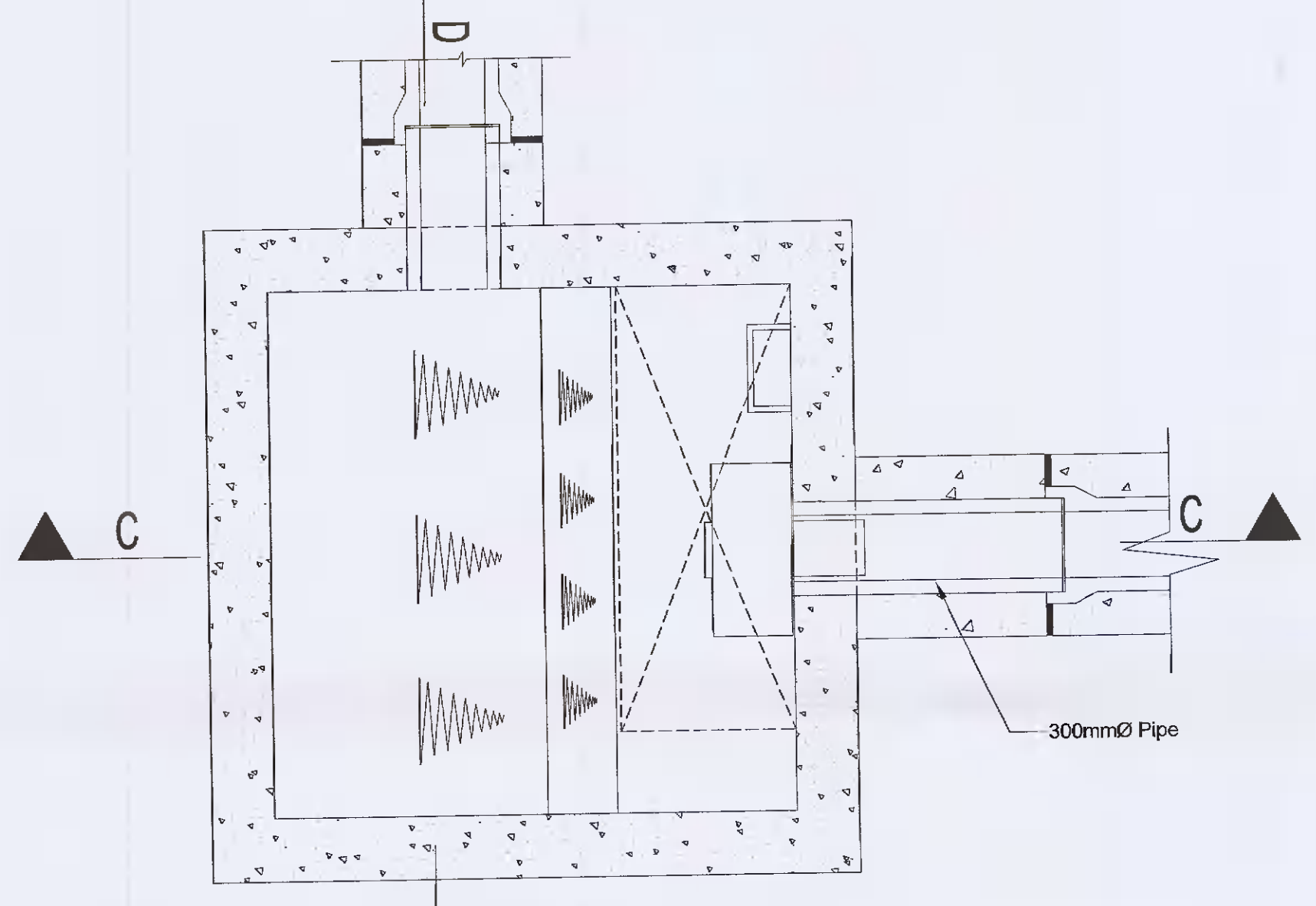


Section C-C

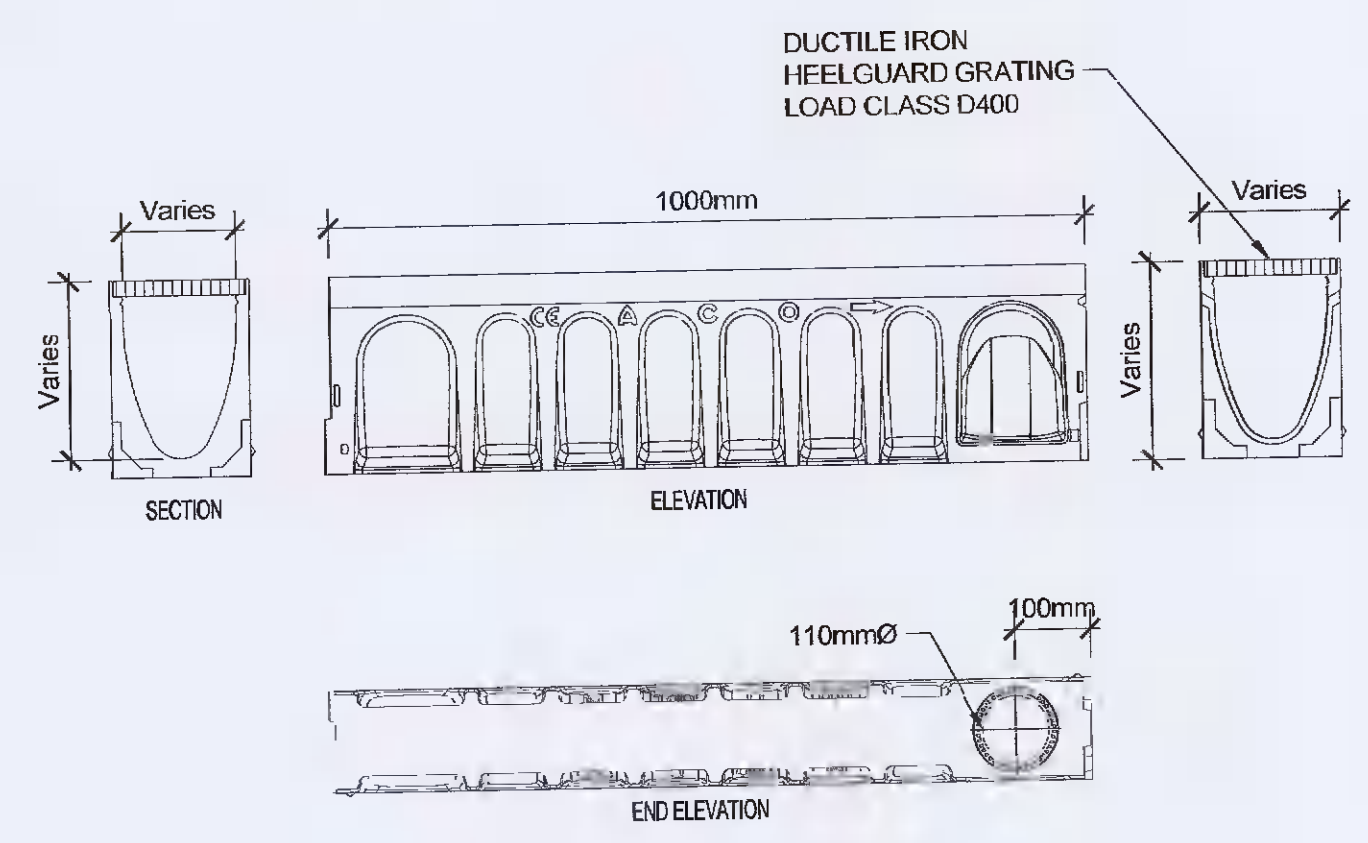


Section D-D

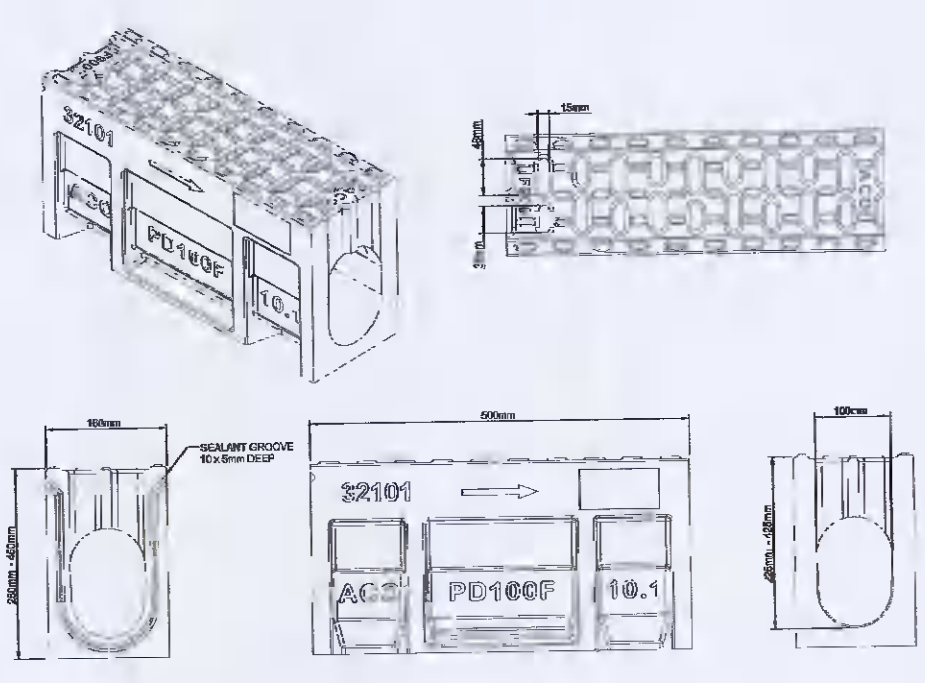


Plan

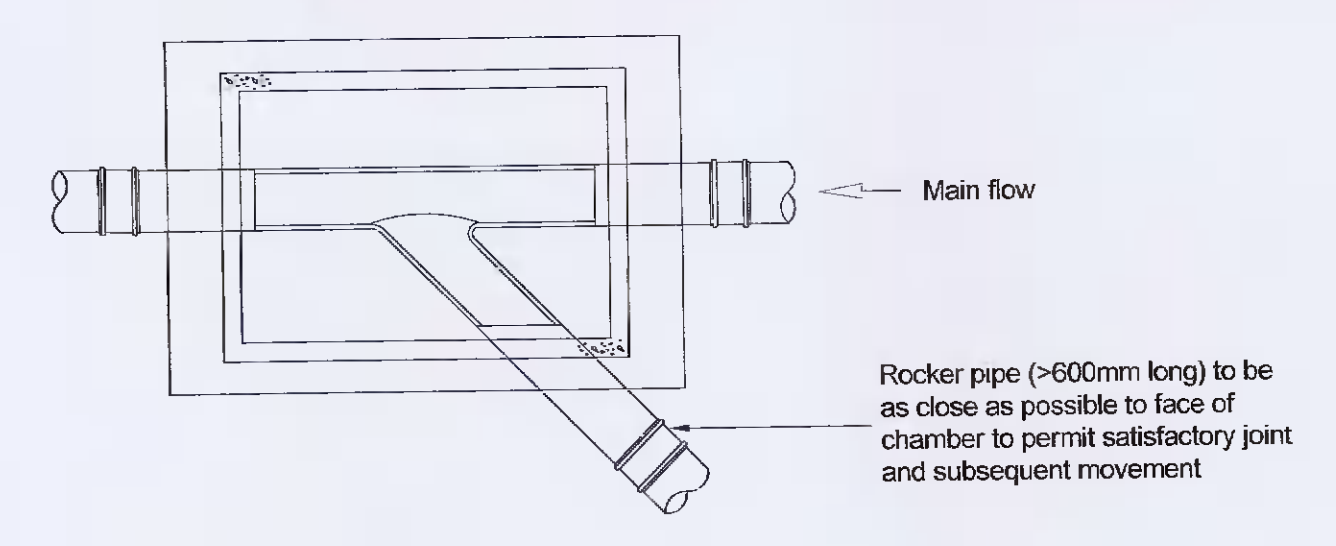
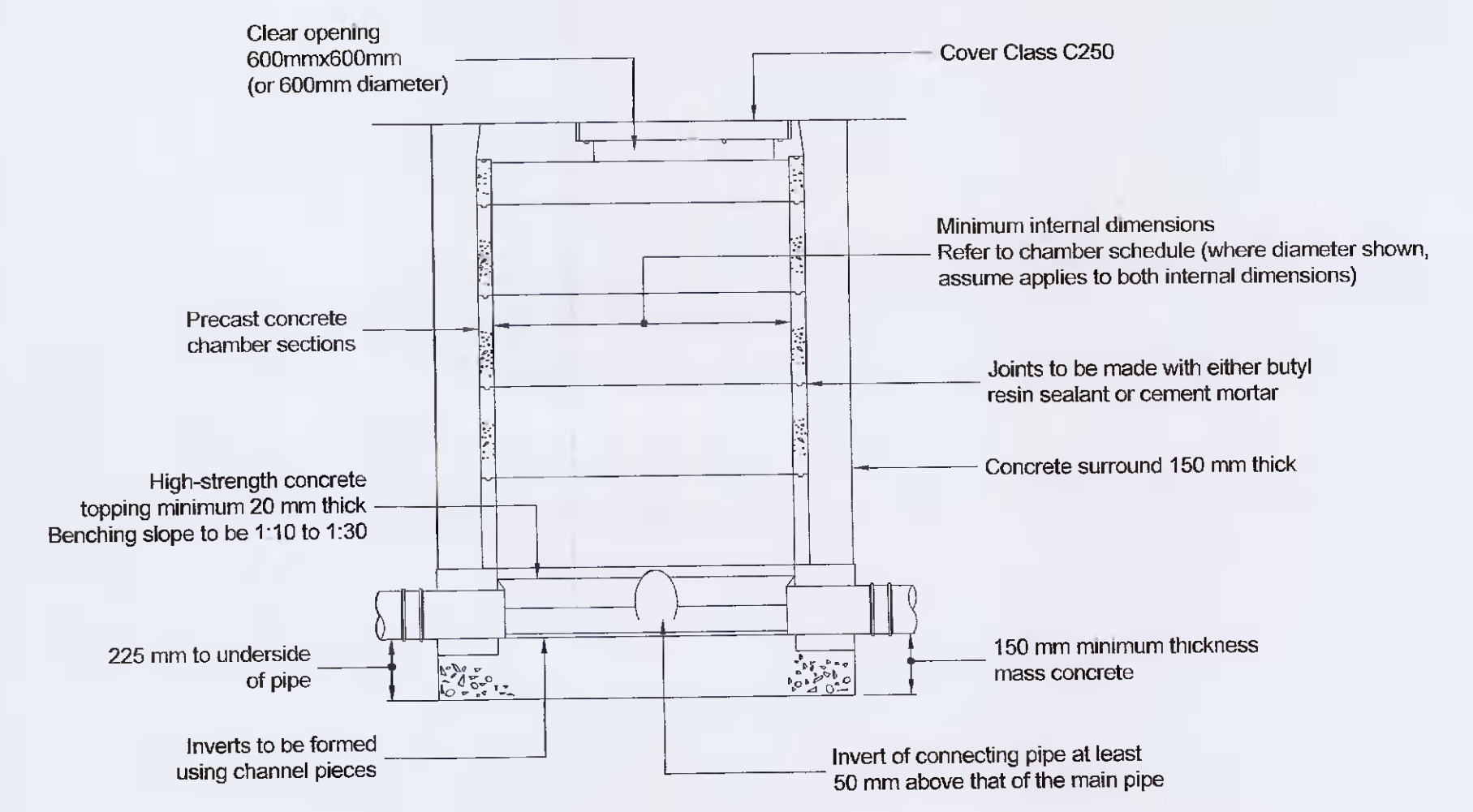
Hydro-Brake Flow Control Chamber Typical Detail  
Scale: 1:20



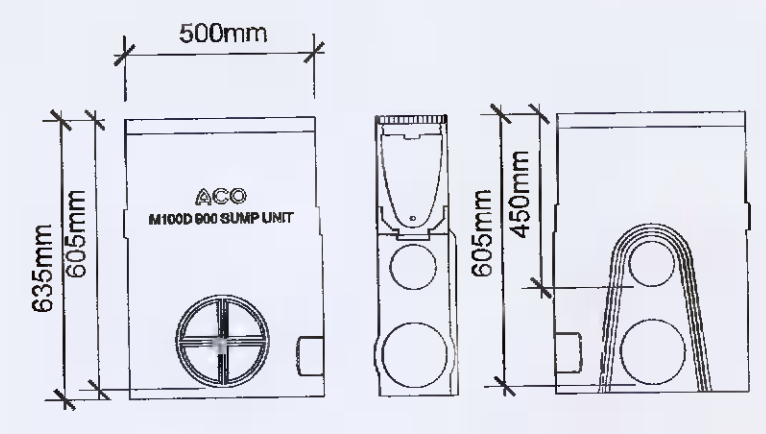
Aco MultiDrain Detail  
1:10



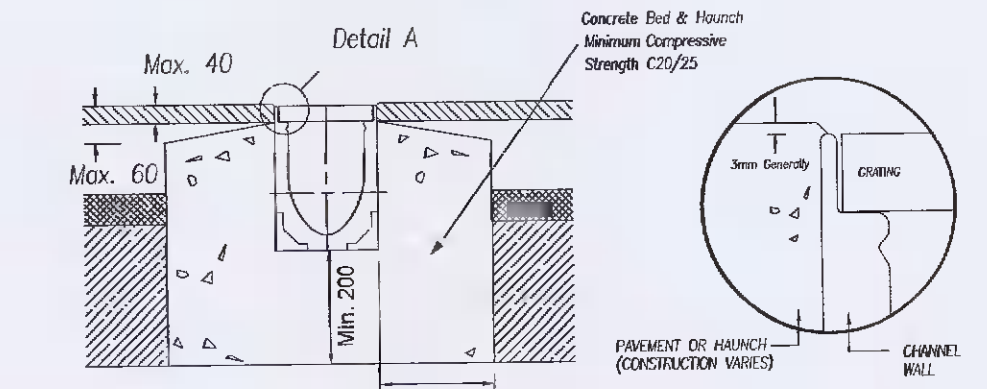
ACO RoadDrain PD 100 Detail  
1:10



Inspection Chamber - Concrete  
1:20



ACO Channel & Sump Detail  
1:20



Installation  
Detail A

TABLE 1: ACO Channel Details

Channel Type	Overall Width (mm)	Overall depth (mm)	Depth to invert (mm)	Depth to sump unit outlet (mm)	Sump outlet pipe diameter (mm)
M100D	135	150	130	605	110 / 160
M150D	185	210	185	710	160 / 200
M200D	235	265	240	765	160 / 200

<p>Client Digital Netherlands VIII B.V. (Netherlands)</p>	<p>Project Title INXN DUB15/16</p>	<p>Drawing Title Standard Details Sheet 3</p>	Scale at A1 As Shown					
			Role Civil					
<p>ARUP Arup, 50 Ringsend Road Dublin, D04 T6X0 www.arup.ie Tel +353(0)1 233 4455 Fax +353(0)1 668 3169</p>	<p>Rev   Date   By   Chkd   Appd</p> <table border="1"> <tr> <td>CO1</td> <td>16/07/21</td> <td>DF</td> <td>CDS</td> <td>JMAC</td> </tr> </table> <p>Issued for Planning</p>	CO1	16/07/21	DF	CDS	JMAC	<p>Arup Job No 280503-00</p>	<p>Suitability Planning</p>
		CO1	16/07/21	DF	CDS	JMAC		
<p>Name IE-DUBZZ-STE1-EO-ARP-DR-C-0114</p>	<p>Rev CO1</p>							