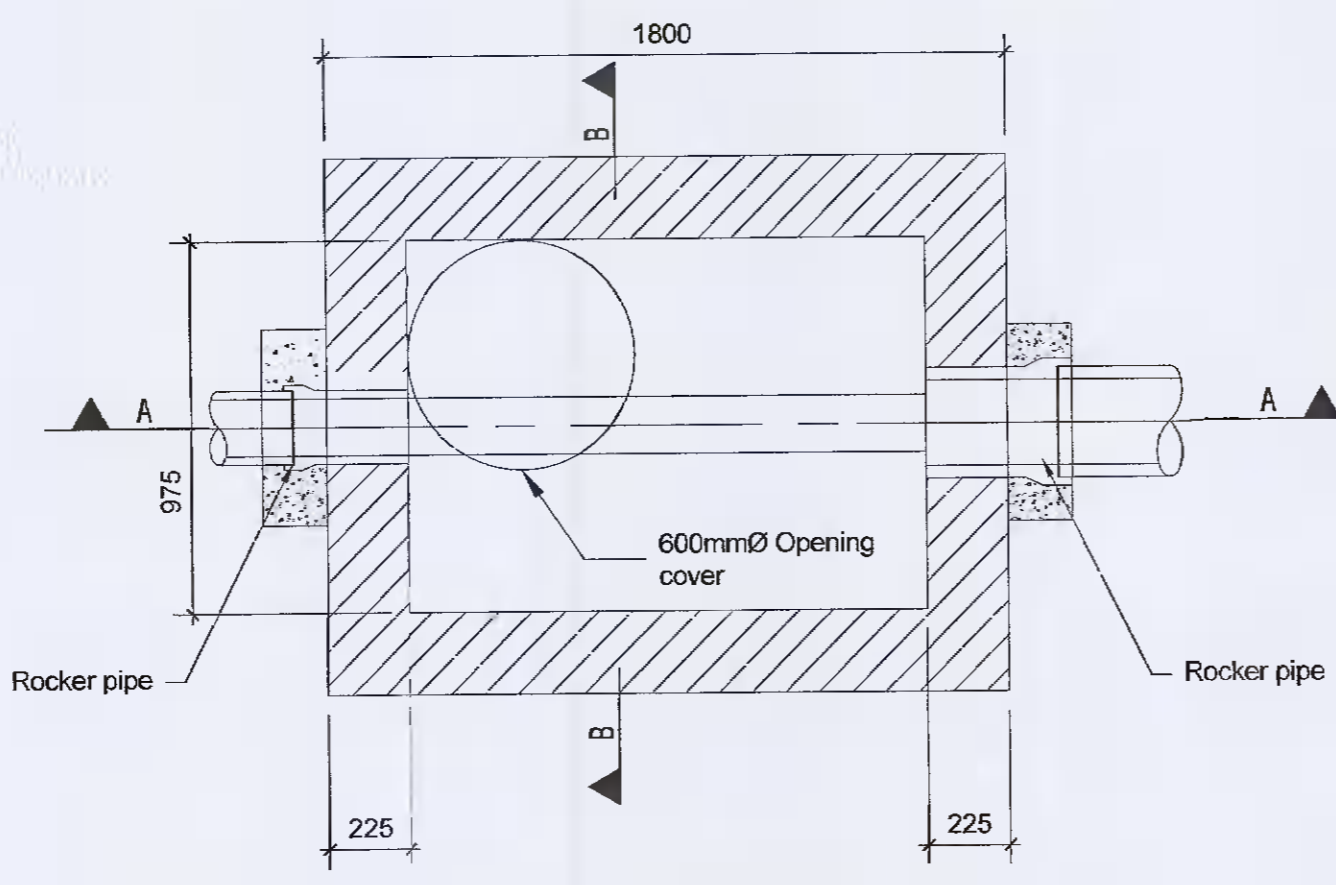
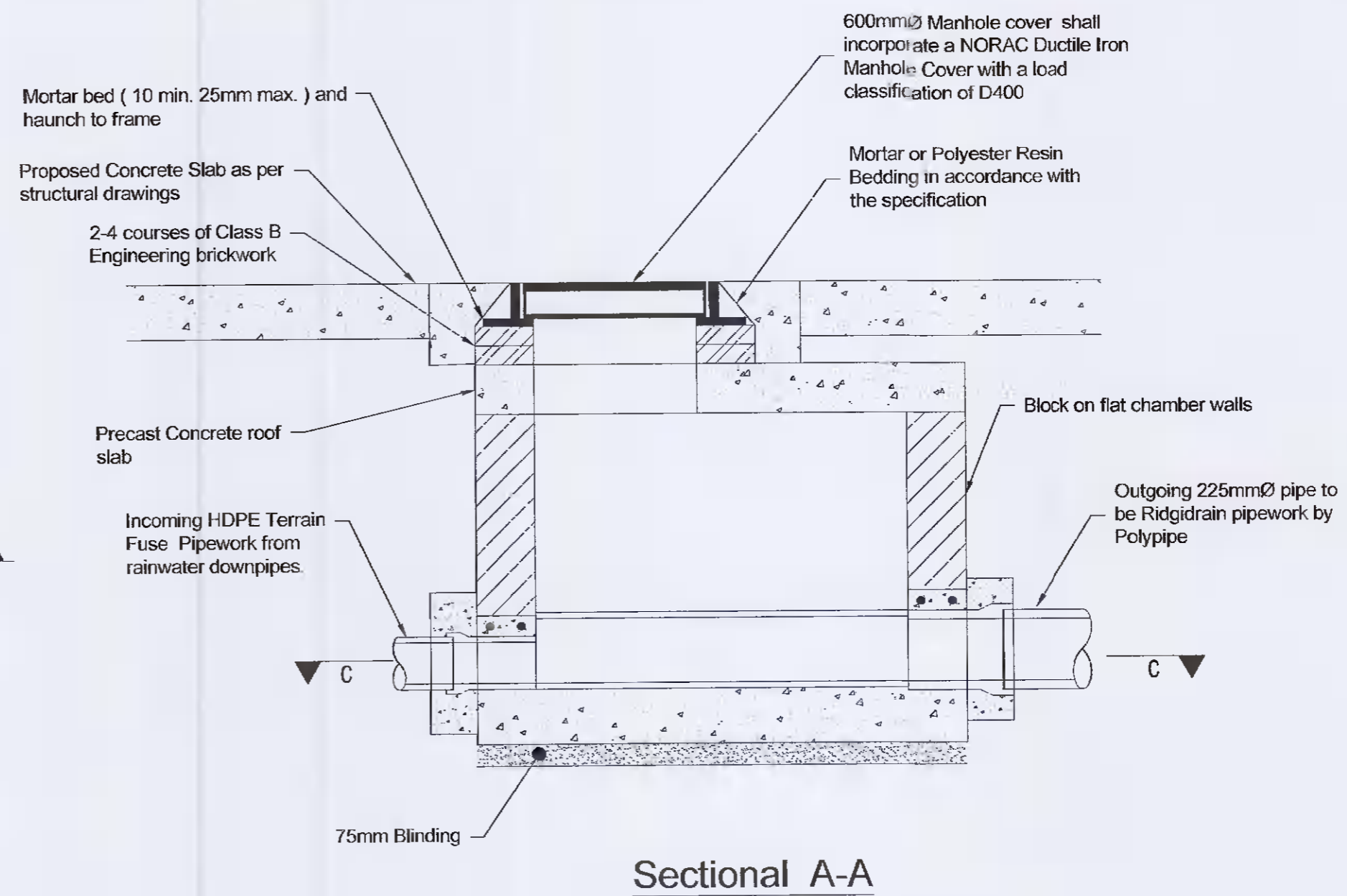


Section B-B

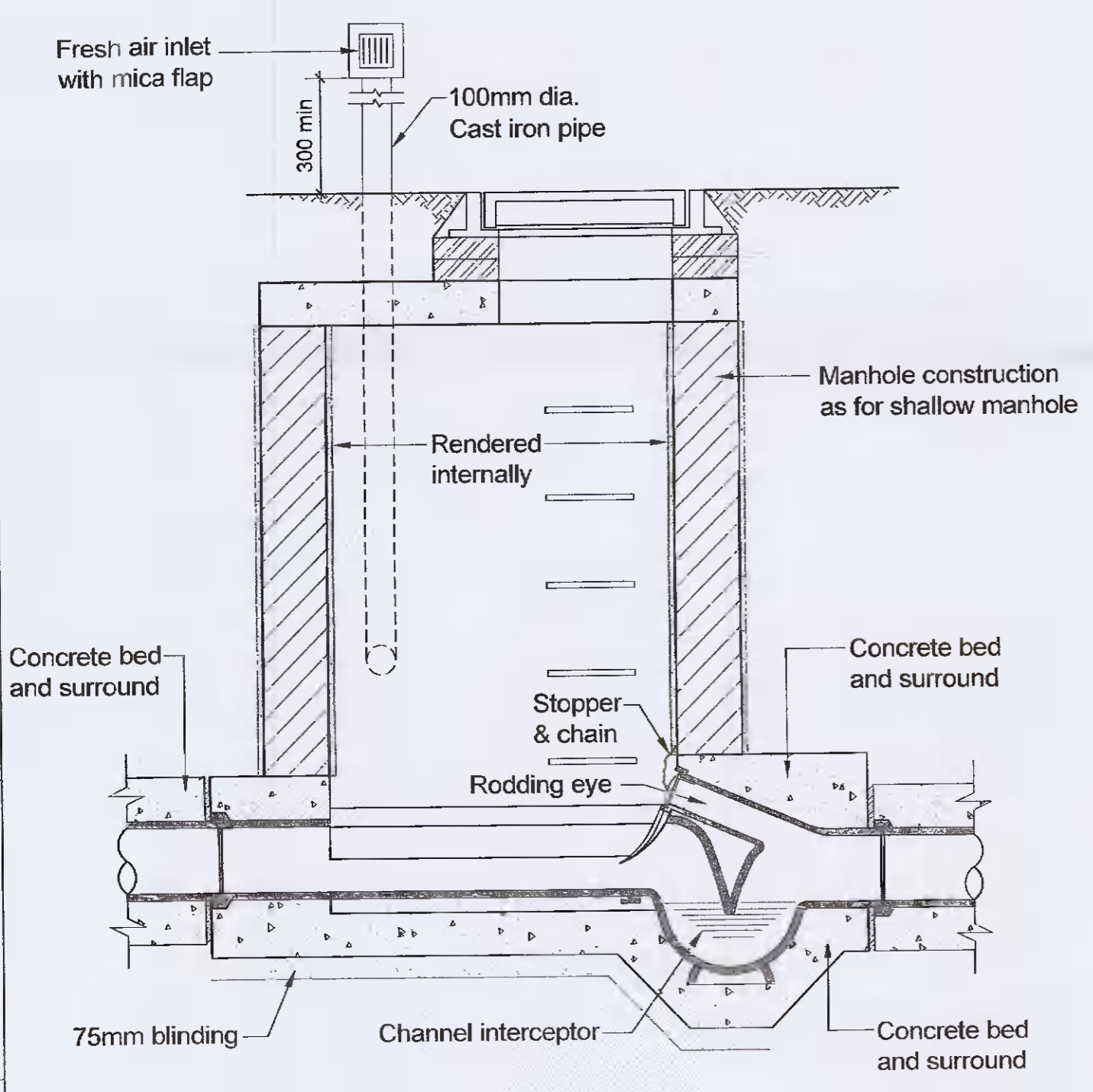


Sectional Plan C-C

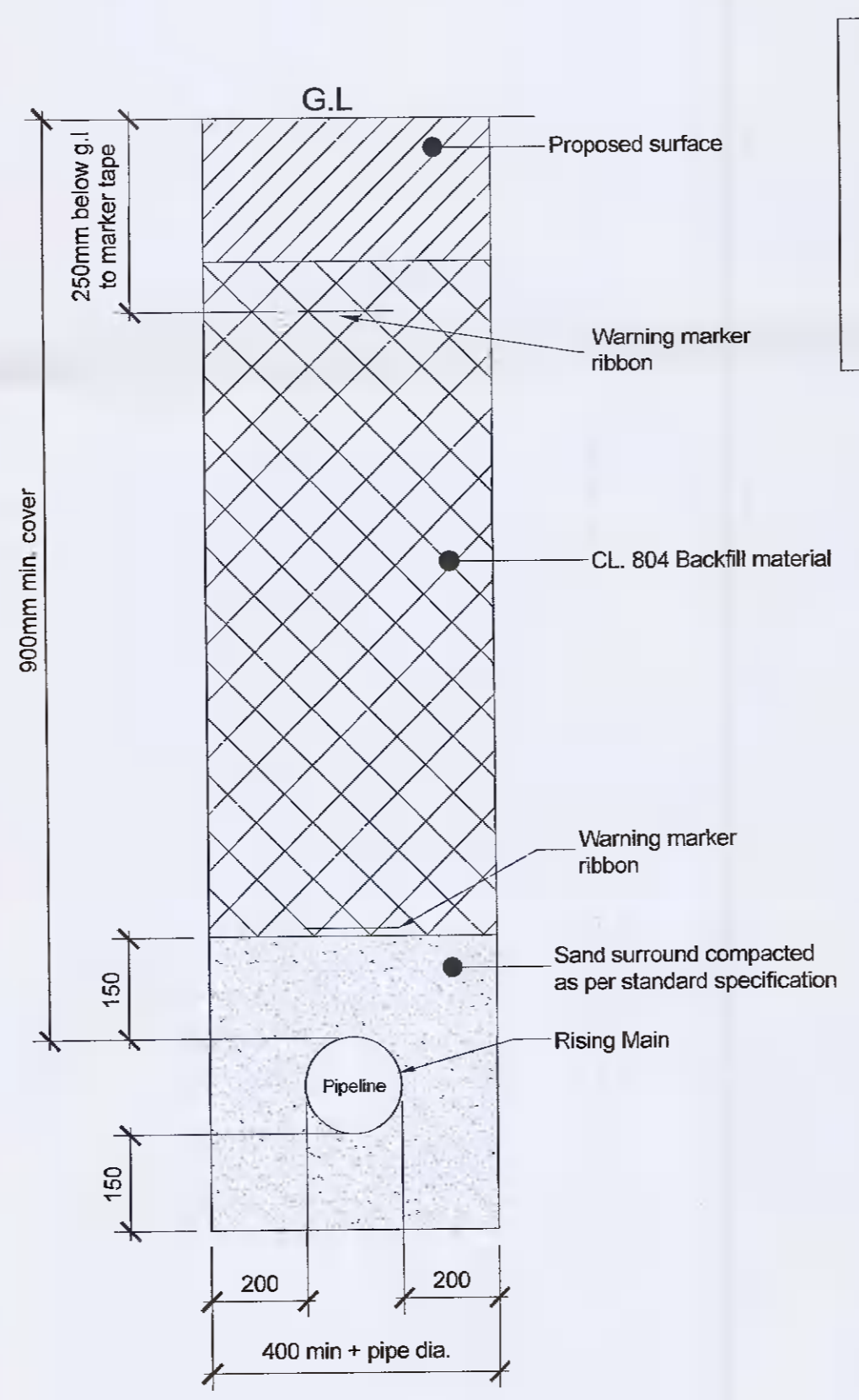


Sectional A-A

Shallow Manhole Typical Detail  
Scale: 1:20

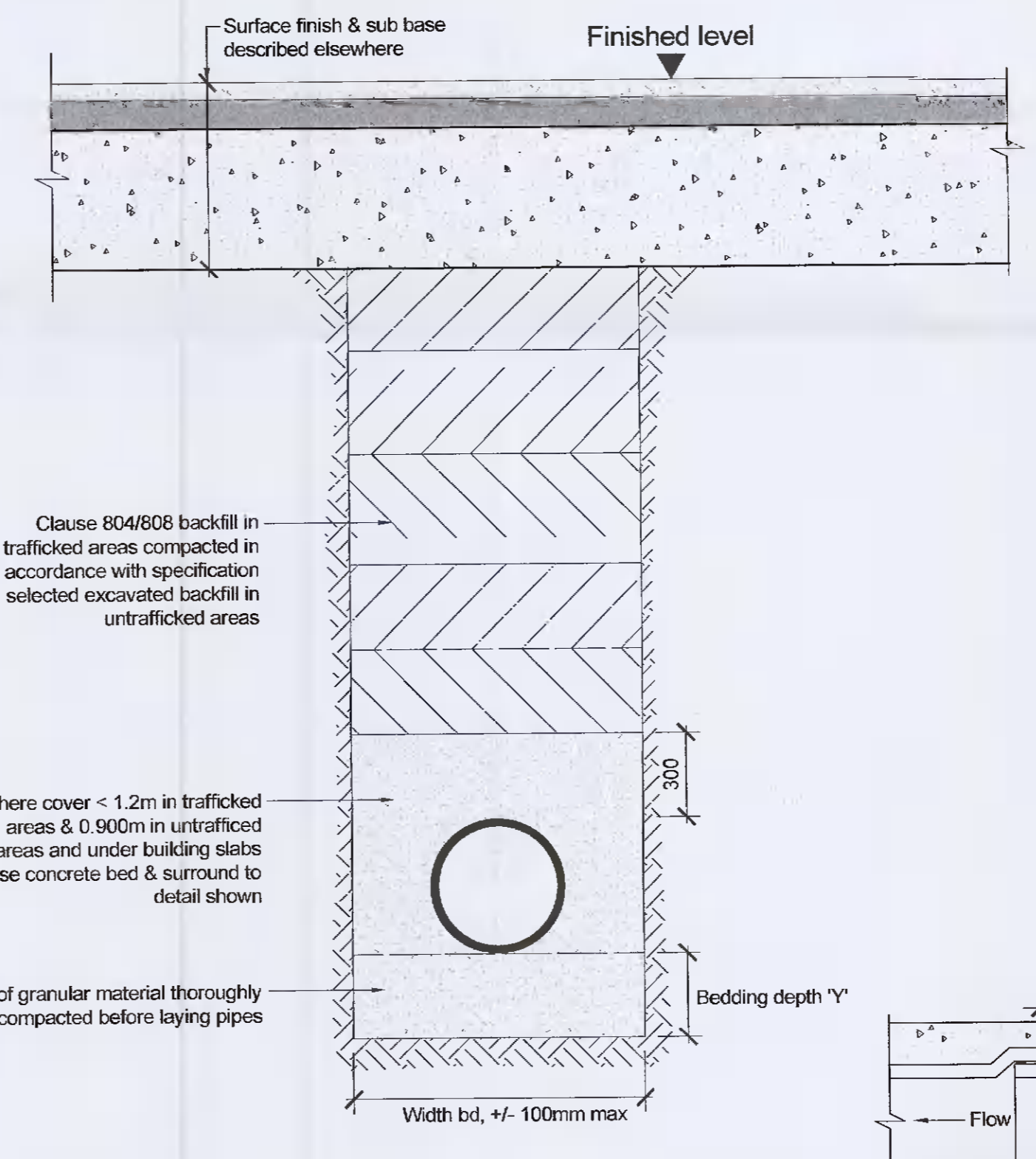


Detail of channel interceptor  
1:25



Typical Rising Main Trench Detail  
1:10

Notes:  
1. it is essential that the main be bedded in a compacted 150mm sand surround as shown  
2. Particular attention is to be given to the compaction of the sand on the underside and at edges of the pipe.  
3. No pipe shall be laid by a contract crew in an unsanded trench.  
4. All rubble/stones are to be removed from around the main prior to the compaction of the sand.

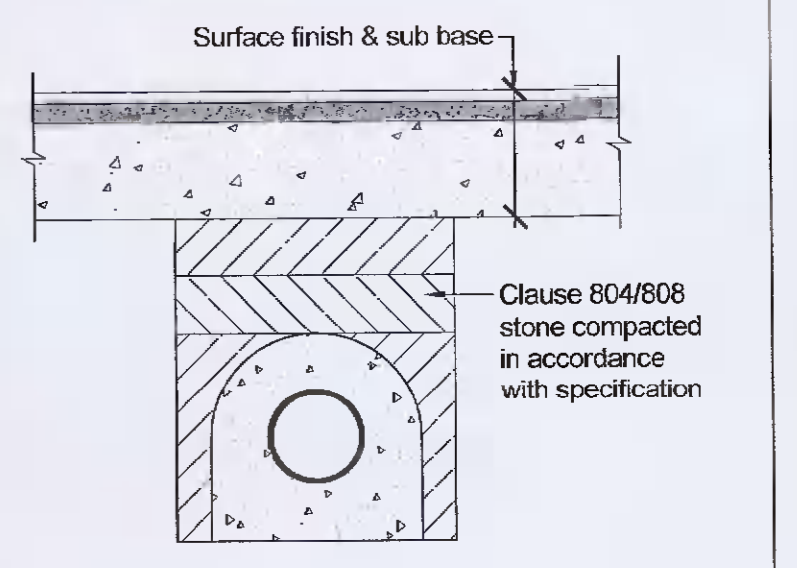


Drainage Pipe Trench Detail  
1:20

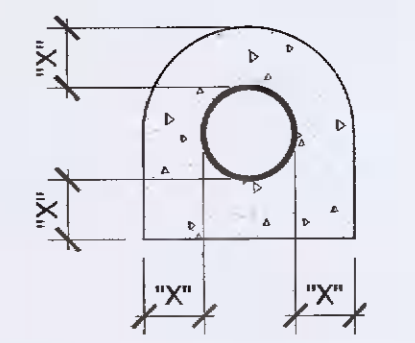
Notes:  
1. Concrete to be grade 20.  
2. Joints with approved compressible material shall not be more than 5m apart.  
3. Where sewers have a concrete bed & surround, flexibility of all joints is to be maintained by providing a flexible joint through concrete using a compressible board. Board to be pre-cut to pipe diameter and to provide a complete break between the concrete surrounds. The compressible board is to be 18mm thick for pipe sizes up to 450mm diameter and 36mm thick for larger diameters.

Pipe dia.	Width bd	'Y' rock, etc.
100	550	200
150	600	200
225	700	200
300	750	200
375	1050	200
450	1150	200
600	1350	200

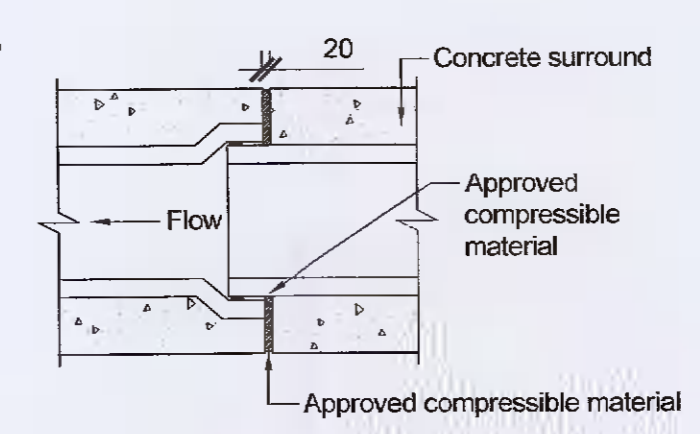
Note:  
The material for the granular bedding & surround shall be coarse graded aggregate between 5-20mm in size or as advised on layout / specific detail drawings.



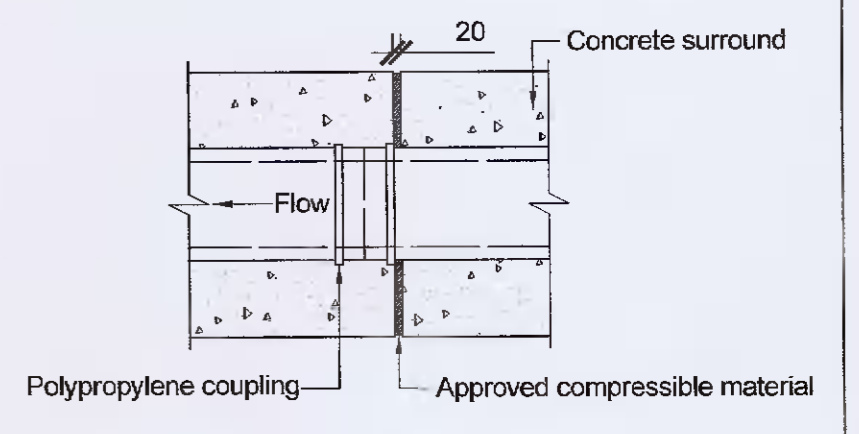
Dimension 'X' = 150mm for pipes < 600Ø



Drainage Pipe Bed and Surround Detail  
1:20



Flexible Joint for Concrete Surround  
1:20



Joint in concrete surround to clayware pipes

Rev	Date	By	Chkd	Appd
C01	16/07/21	DF	CDS	JMAC

**ARUP**

Arup, 50 Ringsend Road  
Dublin, D04 T6X0  
www.arup.ie  
Tel +353(0)1 233 4489 Fax +353(0)1 688 3169

Client  
Digital Netherlands VIII B.V.  
(Netherlands)

Project Title  
INXN DUB15/16

Drawing Title  
Standard Details Sheet 2

Scale at A1 As Shown
Risk Civil
Sustainability Planning
Arup Job No 280503-00
Rev C01
Name IE-DUBZZ-STE1-E0-ARP-DR-C-0113