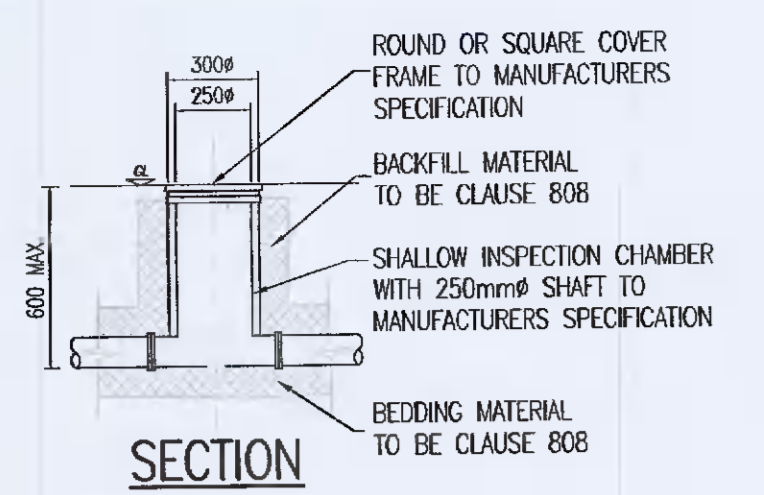
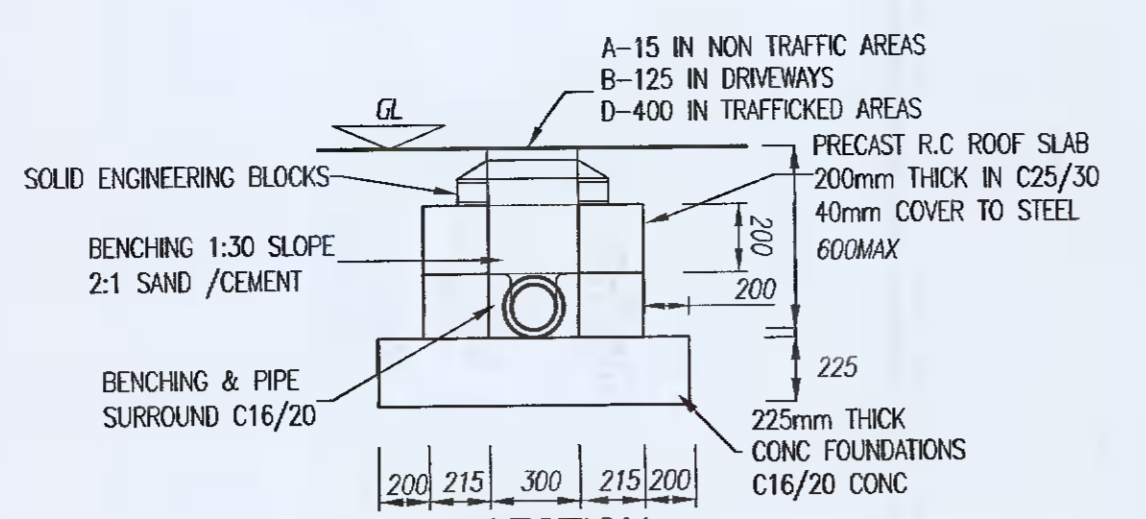


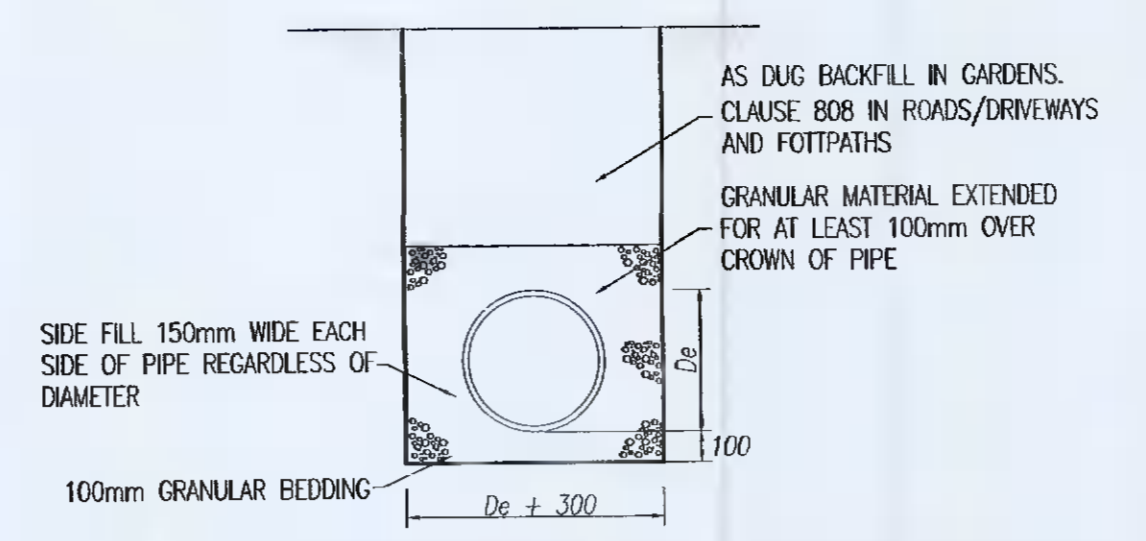
- NOTES:
- DO NOT SCALE. USE FIGURED DIMENSIONS ONLY.
 - THIS DRAWING IS TO BE READ IN CONJUNCTION WITH ALL OTHER RELEVANT ARCHITECTURAL AND ENGINEERING DRAWINGS.
 - ALL WORKS TO BE CARRIED OUT IN ACCORDANCE WITH THE REQUIREMENTS OF THE BUILDING REGULATIONS 2010 SECTION H "DRAINAGE AND WASTE WATER DISPOSAL" AND WITH LOCAL AUTHORITY REQUIREMENTS
 - ANY ALTERNATIVE DETAILS PROPOSED BY THE CONTRACTOR SHALL BE SUBMITTED TO THE ENGINEER AT LEAST 2 WEEKS PRIOR TO THE CONSTRUCTION OF THE DRAIN
 - MINIMUM SPACING OF ACCESS POINTS TO BE IN ACCORDANCE WITH BUILDING REGULATIONS TECHNICAL GUIDANCE DOCUMENT SECTION 4 TABLE 10
 - DETAILS OF MATERIALS FOR CONSTRUCTION REFER TO BUILDING REGULATIONS TECHNICAL GUIDANCE DOCUMENT SECTION 4 TABLE 11
 - BACKFILL OF ALL INSPECTION CHAMBERS TO BE 808 BACKFILL IN 200mm LAYERS
 - INSTALLATION OF PLASTIC PIPES AND FITTINGS, GULLIES, A'S ETC TO BE STRICTLY IN ACCORDANCE WITH MANUFACTURERS INSTRUCTIONS



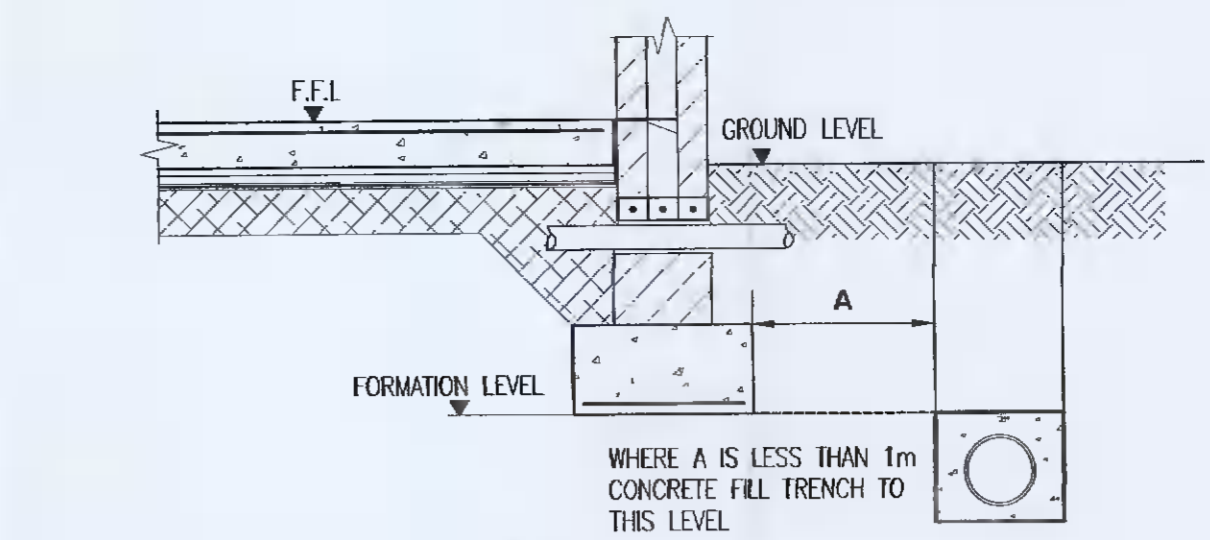
PLAN
CIRCULAR INSPECTION CHAMBER WHERE
INVERT IS 0.6m OR LESS BUILDING
REGULATIONS TGD SECTION H TABLE 9
SCALE 1:25



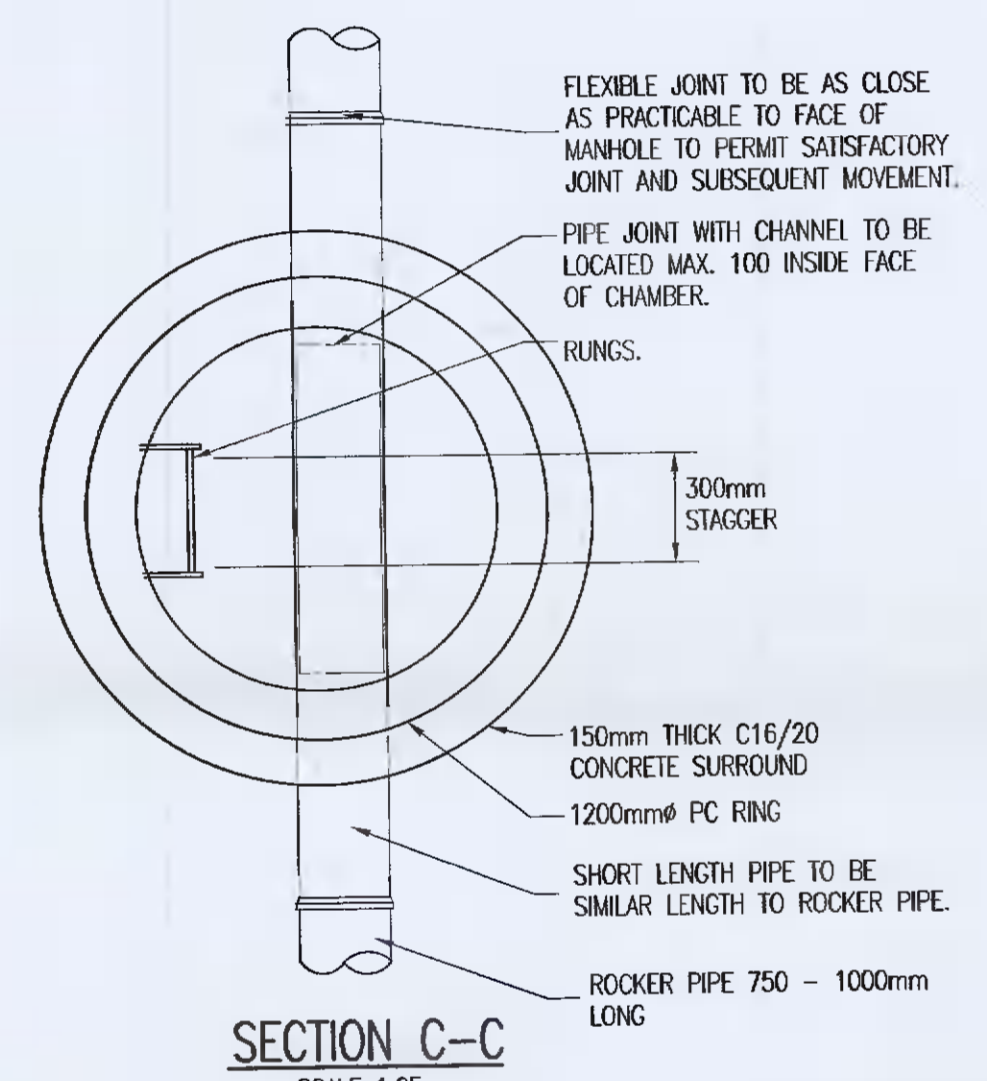
PLAN
INSPECTION CHAMBER WHERE INVERT IS 0.6m OR LESS
BUILDING REGULATIONS TGD SECTION H TABLE 9
SCALE 1:25



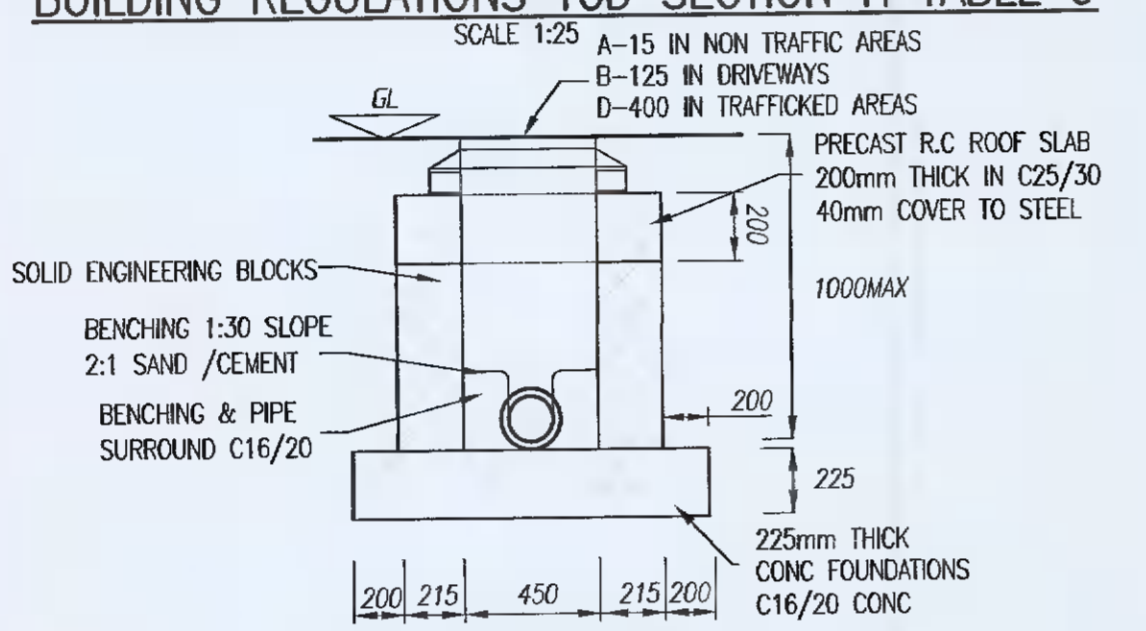
**PIPES BEDDED IN GRANULAR MATERIAL
COVER > 0.9m IN ROADS
COVER > 0.6m IN GARDENS**
SCALE 1:25



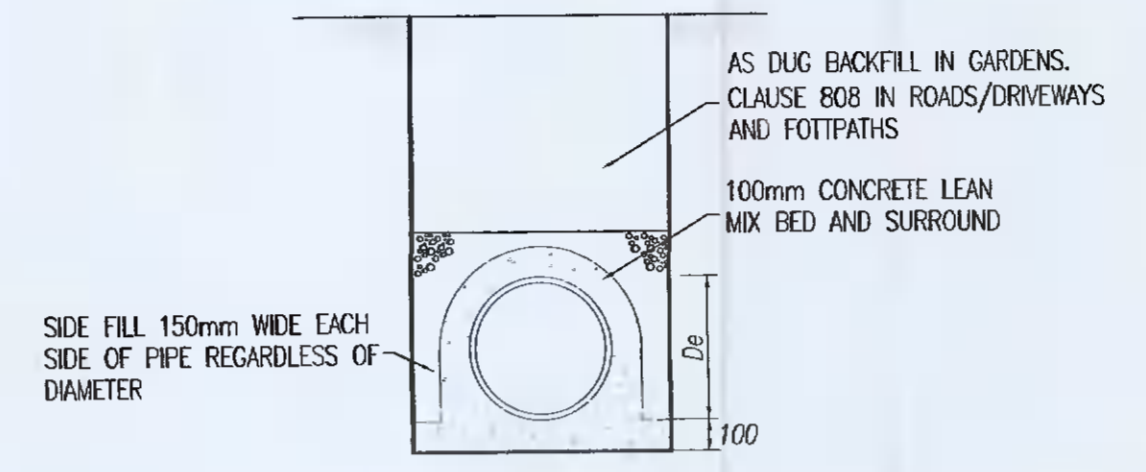
TYPICAL DETAIL WHERE PIPE RUNS NEAR BUILDINGS
SCALE 1:25



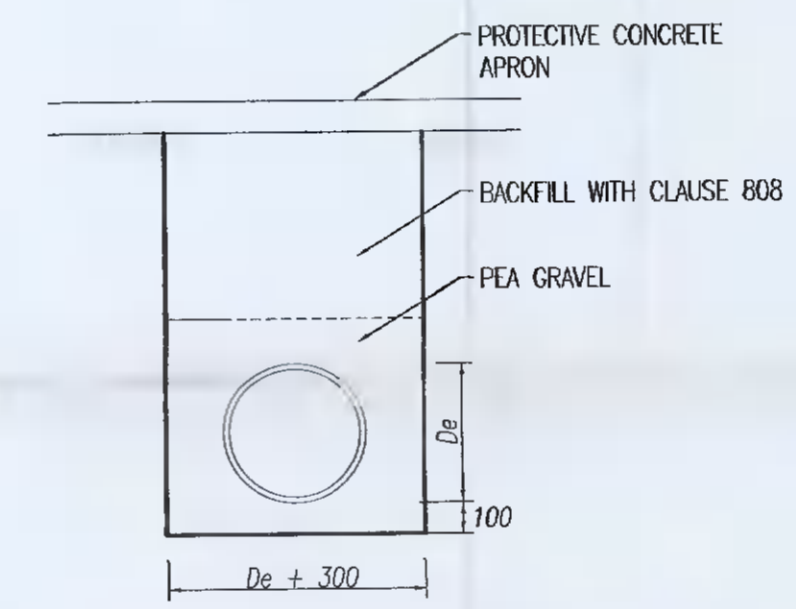
SECTION C-C
SCALE 1:25



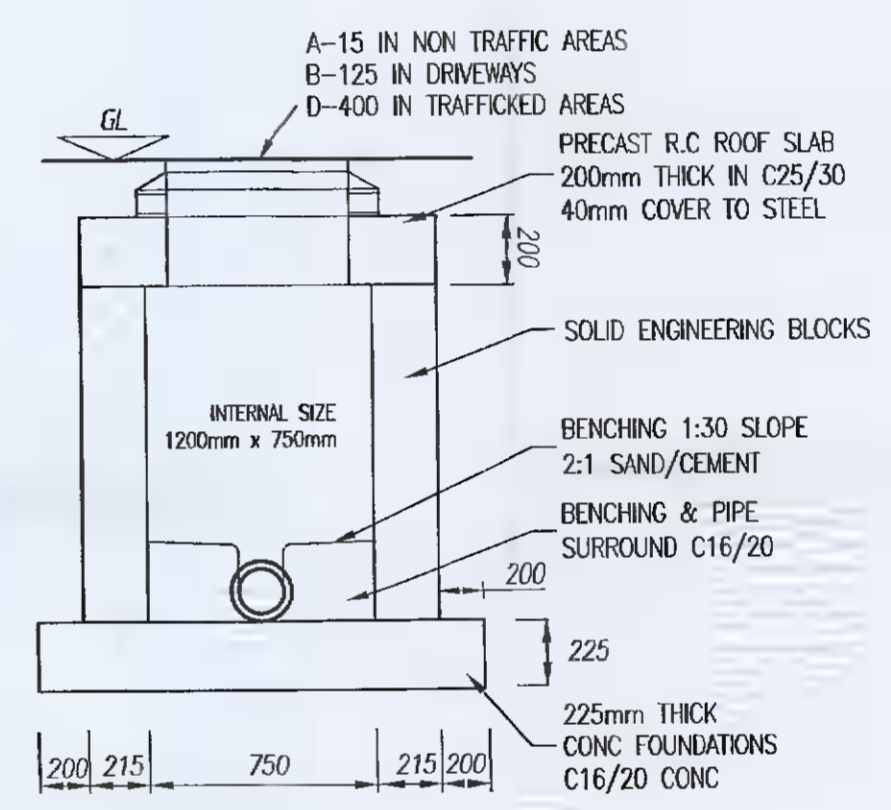
PLAN
INSPECTION CHAMBER WHERE INVERT IS
1m OR LESS BUILDING REGULATIONS
TGD SECTION H TABLE 9



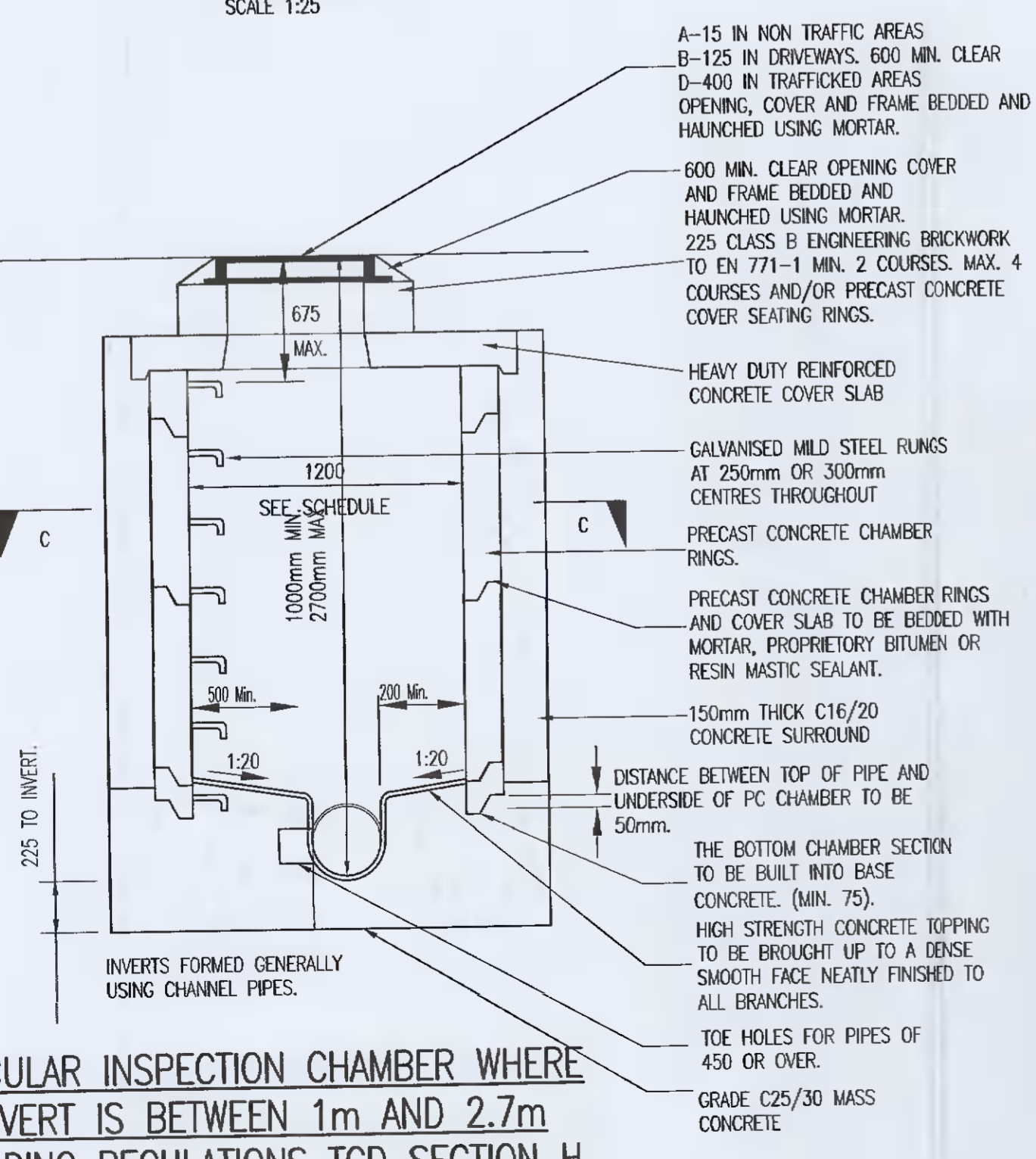
**PIPES BEDDED IN GRANULAR MATERIAL
COVER < 0.9m IN ROADS
COVER < 0.6m IN GARDENS**
SCALE 1:25



**PIPES BEDDING ALTERNATIVE DETAIL
COVER < 0.9m IN ROADS
COVER < 0.6m IN GARDENS**
SCALE 1:25



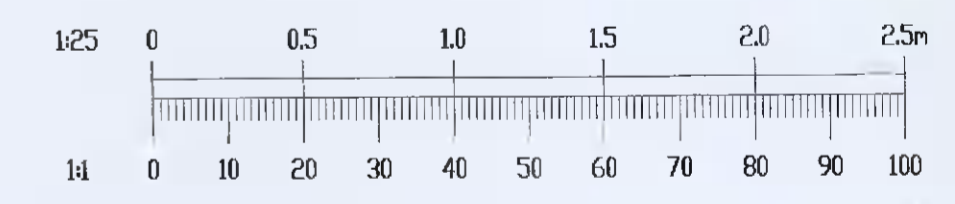
PLAN
INSPECTION CHAMBER DEPTH TO INVERT IS
BETWEEN 1m AND 2.7m BUILDING REGULATIONS
TGD SECTION H TABLE 9
SCALE 1:25



**CIRCULAR INSPECTION CHAMBER WHERE
INVERT IS BETWEEN 1m AND 2.7m
BUILDING REGULATIONS TGD SECTION H
TABLE 9
SCALE 1:25**

Type	Depth to (m)	Internal Sizes		Cover Sizes	
		length x width (mm x mm)	Circular (mm)	length x width (mm x mm)	Circular (mm)
Rodding eye					
Access Fitting	small	150 x 100	150	150 x 100	150
	large	300 x 100	-	300 x 100	-
Inspection Chamber	0.6 or less	300 x 300	190*	300 x 300	190*
	1.0 or less	450 x 450	450	450 x 450	450**
Manhole	1.5 or less	1200 x 750	1000	600 x 600	600
	over 1.5	1200 x 750	1200	600 x 600	600
Shaft	over 2.7	1200 x 840	1200	600 x 600	600
	over 2.7	900 x 840	900	600 x 600	600

Note:
* For clayware or plastics may be reduced to 430mm in order to provide support for cover and frame
** Drains up to 150mm



REV	DATE	AMENDMENT	DRN	APPD

STATUS **FOR PLANNING ONLY
NOT FOR CONSTRUCTION**

Waterman Moylan
Engineering Consultants
BLOCK 5, EASTPOINT BUSINESS PARK, ALFIE BYRNE ROAD,
DUBLIN D03 H5F4 IRELAND
Tel: (01) 684 8800 Fax: (01) 661 3618
Email: info@waterman-moylan.ie www.waterman-moylan.ie

CLIENT **GO-AHEAD IRELAND**

PROJECT **GO-AHEAD BUS DEPOT,
BALLYMOUNT ROAD,
DUBLIN 12**

TITLE **PRIVATE SURFACE WATER DRAINAGE DETAILS**

DRAWN	DESIGNED	APPROVED	DATE
CF	EN	BG	JULY '21
SCALE 1:500 @ A1	JOB NO. 17-130	DRG. NO. P221	REVISION