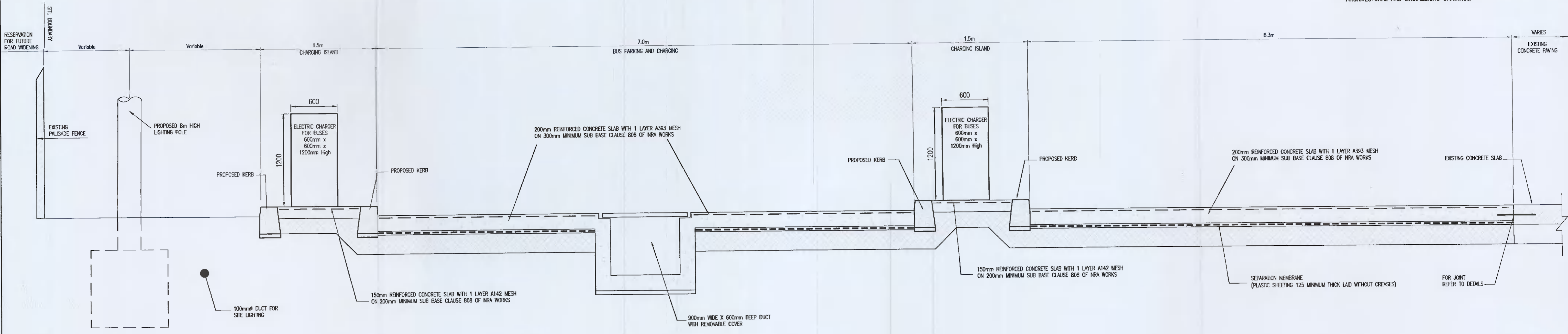
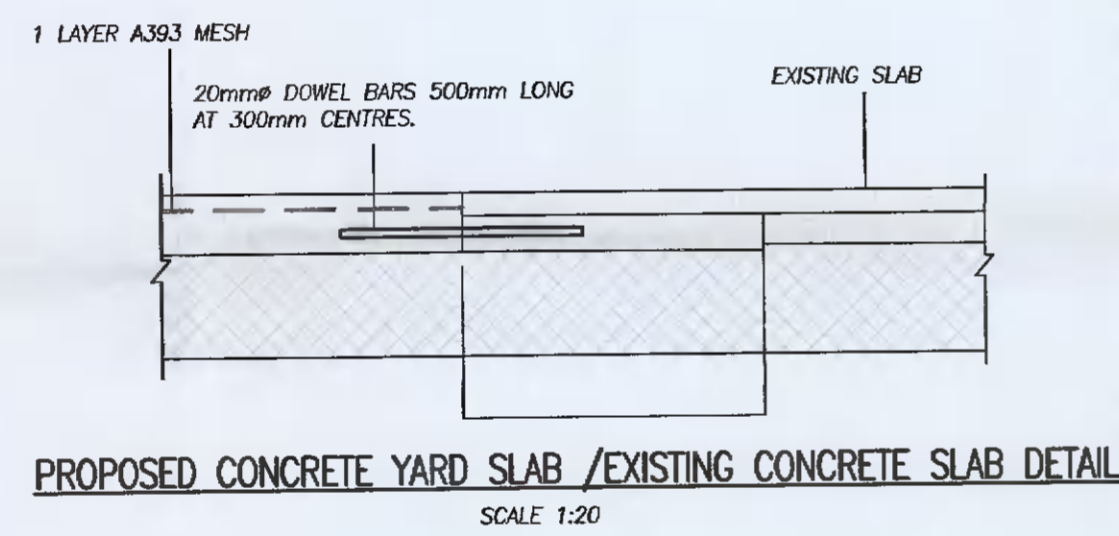


NOTES:

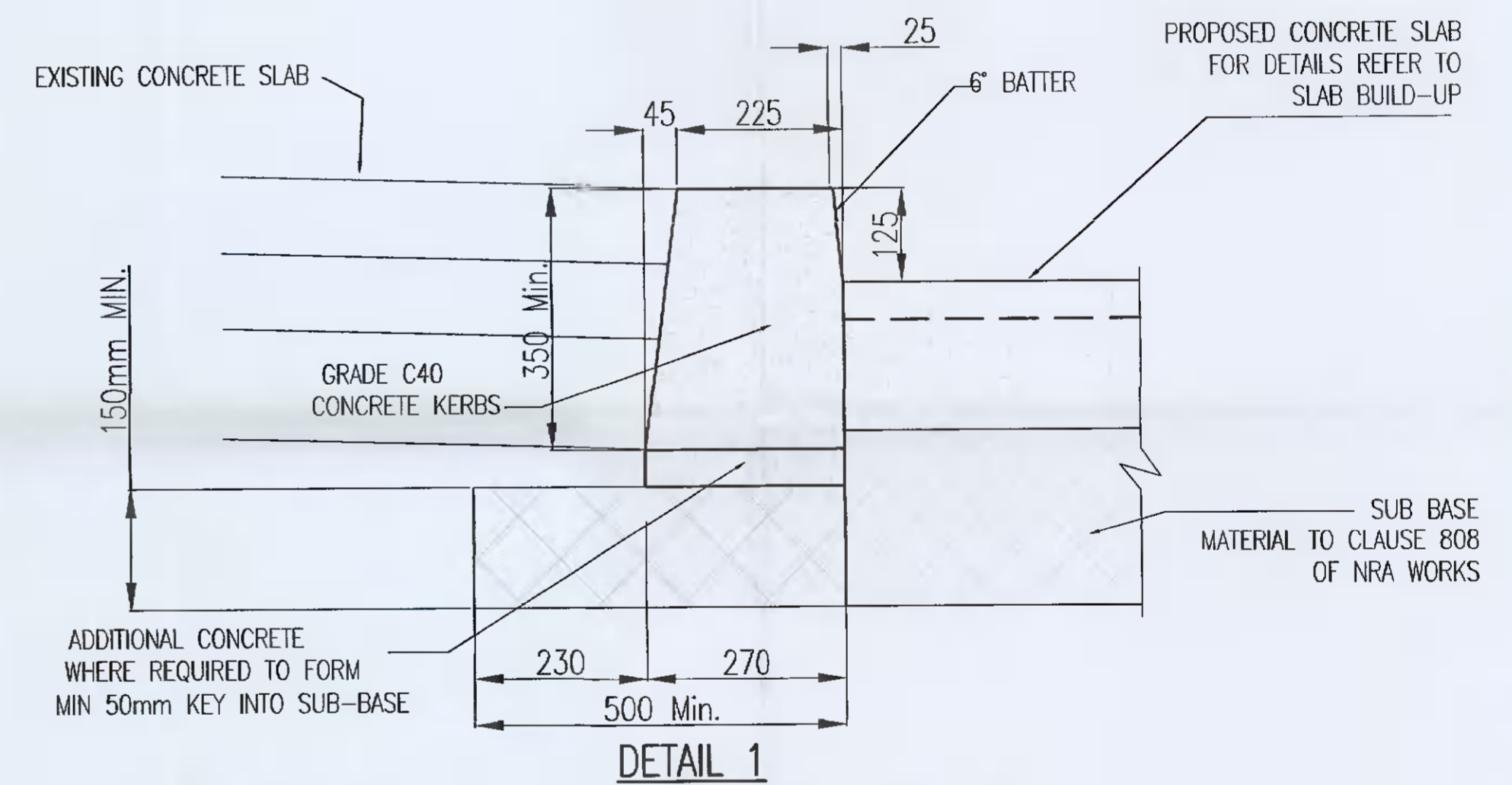
- DO NOT SCALE. USE FIGURED DIMENSIONS ONLY.
- THIS DRAWING IS TO BE READ IN CONJUNCTION WITH ALL OTHER RELEVANT ARCHITECTURAL AND ENGINEERING DRAWINGS.



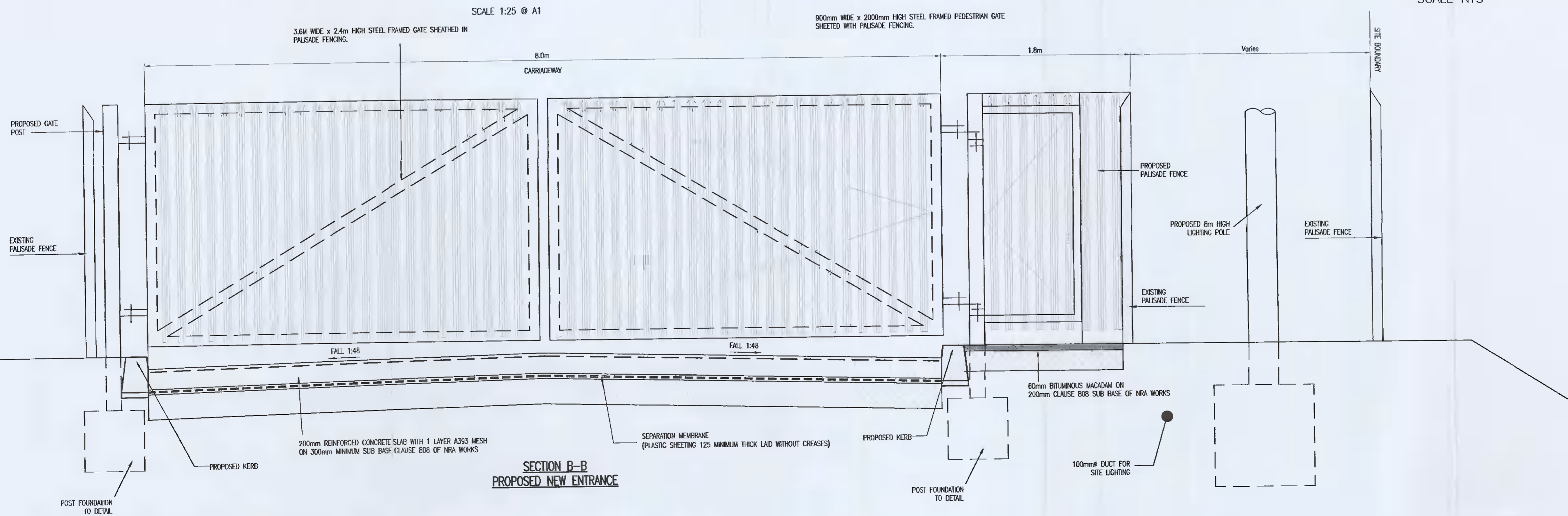
TYPICAL CROSS SECTION AT BUS CHARGING  
SCALE 1:25 @ A1



PROPOSED CONCRETE YARD SLAB / EXISTING CONCRETE SLAB DETAIL  
SCALE 1:20



DETAIL 1  
TYPICAL IN SITU CONCRETE KERB DETAIL  
SCALE NTS



SECTION B-B  
PROPOSED NEW ENTRANCE  
SCALE 1:25 @ A1

REV.	DATE	AMENDMENT	DRN	APPD

STATUS **FOR PLANNING ONLY  
NOT FOR CONSTRUCTION**

**Waterman Moylan**  
Engineering Consultants  
BLOCK 5, EASTPOINT BUSINESS PARK, ALFIE BYRNE ROAD,  
DUBLIN D03 H9F4 IRELAND.  
Tel: (01) 664 8900 Fax: (01) 661 3618  
Email: info@waterman-moylan.ie www.waterman-moylan.ie

CLIENT **GO AHEAD IRELAND**  
ARCHITECT  
PROJECT **GO AHEAD BUS DEPOT  
BALLYMOUNT ROAD,  
DUBLIN 12**

TITLE **CONSTRUCTION DETAILS**

DRAWN	DESIGNED	APPROVED	DATE
G.Byrne	EMC	JG	JULY '21
SCALE	JOB NO.	DRG. NO.	REVISION
AS SHOWN @A1	17-130	P115	

© 2021 This drawing is copyright. No part of this document may be reproduced or transmitted in any form or stored in any retrieval system of any nature without the written permission of the consulting engineer or copyright holder except as agreed for use on the project for which the document was originally issued.