

Approved: [Signature] Date: 1/20/2021

Client: [Name]
Project: [Name]
Location: [Name]
Scale: 1:500

General Notes:
1. This information presented on this drawing...
2. The drawing should be read in conjunction with...
3. Some vehicles may need to be parked in order...
4. All dimensions are in millimeters (mm) unless...
5. Do not scale work to figured dimensions only...
6. The topographical information provided is based...

- 1. This information presented on this drawing...
2. The drawing should be read in conjunction with...
3. Some vehicles may need to be parked in order...
4. All dimensions are in millimeters (mm) unless...
5. Do not scale work to figured dimensions only...
6. The topographical information provided is based...

Vehicle Tracking Analysis
Sheet A

Project File:
DUB14/15 PROPOSED MODIFICATIONS TO PREVIOUSLY APPROVED SCHEME
Scale: 1:500
Date: 1/20/2021

ARUP
15 RIVERVIEW TERRACE
WILLOWDALE NSW 1581
TEL: +61 (0)2 9539 6000
WWW.ARUP.COM
Microsoft

Vehicle Tracking Analysis
Sheet A
Scale: 1:500
Date: 1/20/2021

Vehicle Tracking Analysis
Sheet A
Scale: 1:500
Date: 1/20/2021

Vehicle Tracking Analysis
Sheet A
Scale: 1:500
Date: 1/20/2021

Vehicle Tracking Analysis
Sheet A
Scale: 1:500
Date: 1/20/2021

Vehicle Tracking Analysis
Sheet A
Scale: 1:500
Date: 1/20/2021

Vehicle Tracking Analysis
Sheet A
Scale: 1:500
Date: 1/20/2021

Vehicle Tracking Analysis
Sheet A
Scale: 1:500
Date: 1/20/2021

Vehicle Tracking Analysis
Sheet A
Scale: 1:500
Date: 1/20/2021

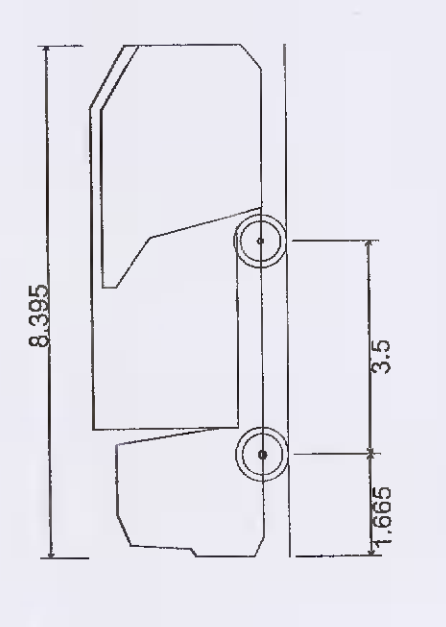
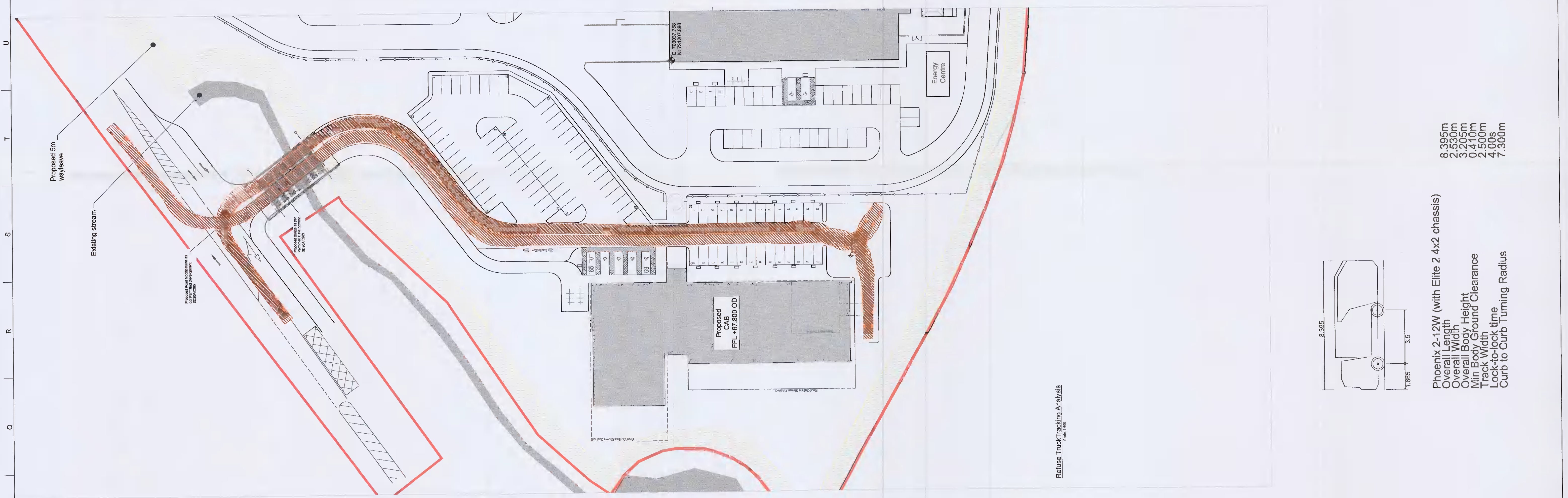
Vehicle Tracking Analysis
Sheet A
Scale: 1:500
Date: 1/20/2021

Vehicle Tracking Analysis
Sheet A
Scale: 1:500
Date: 1/20/2021

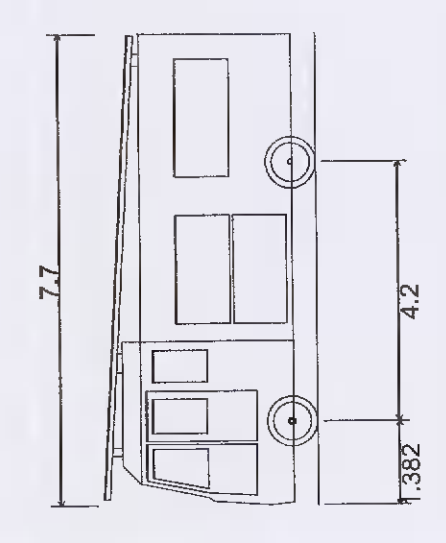
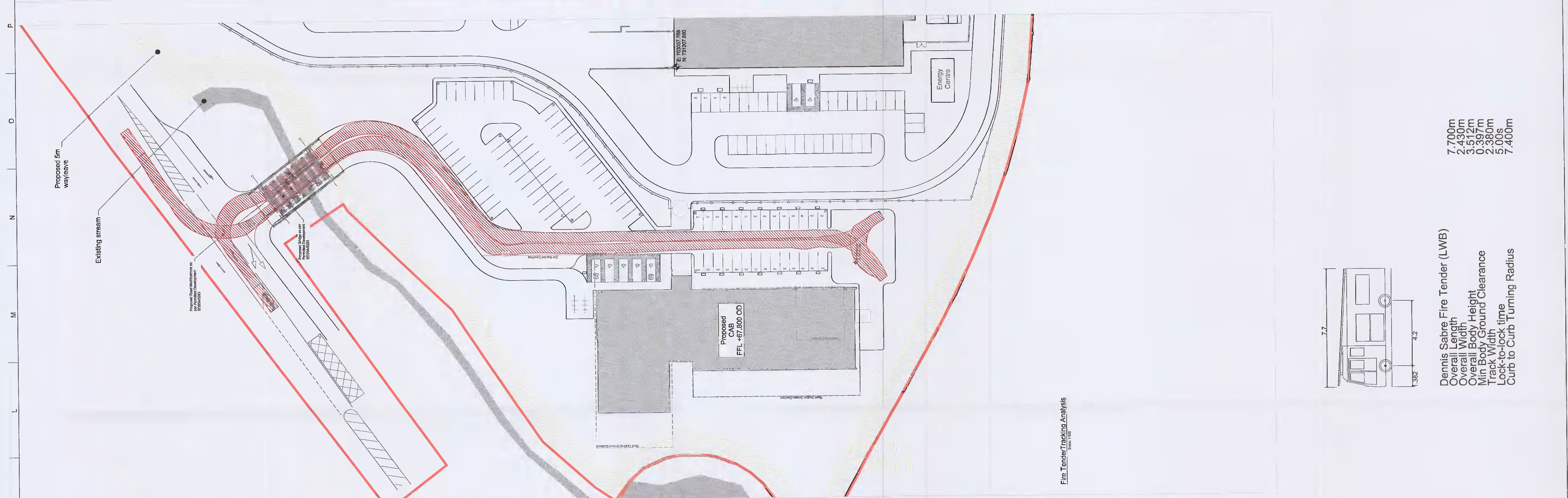
Vehicle Tracking Analysis
Sheet A
Scale: 1:500
Date: 1/20/2021

Vehicle Tracking Analysis
Sheet A
Scale: 1:500
Date: 1/20/2021

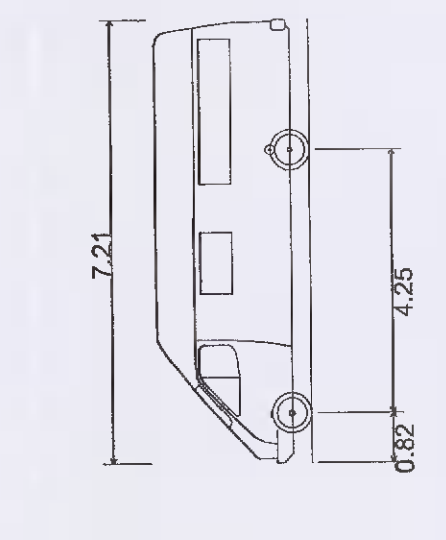
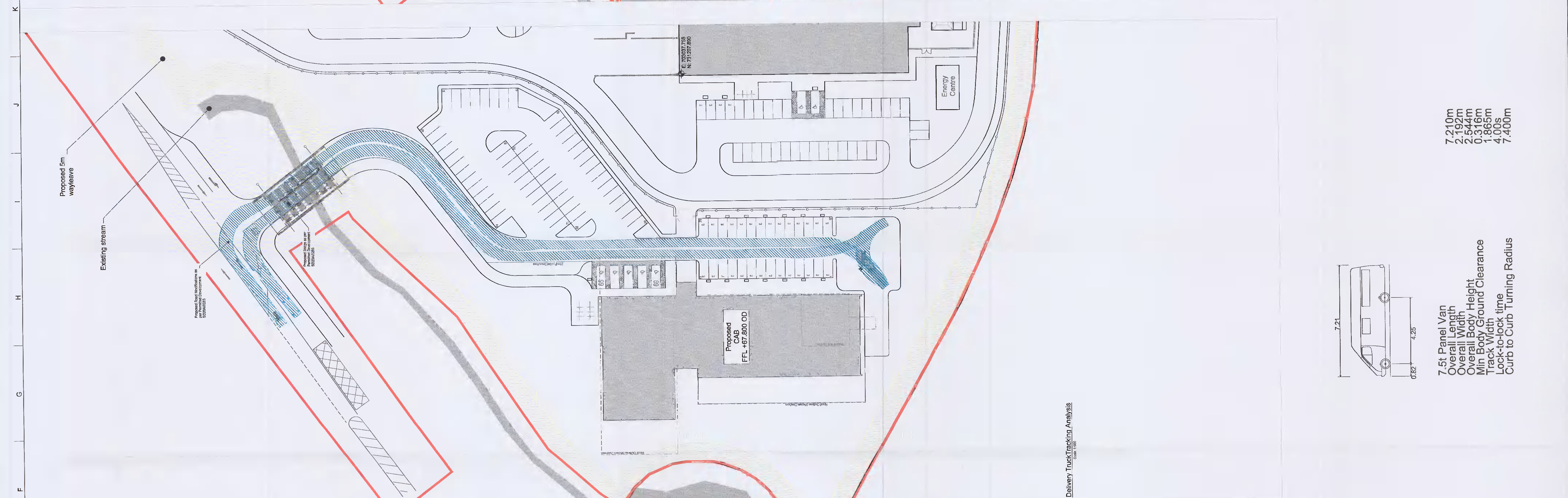
Vehicle Tracking Analysis
Sheet A
Scale: 1:500
Date: 1/20/2021



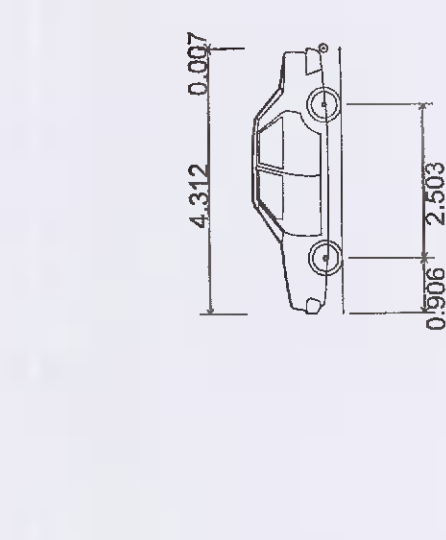
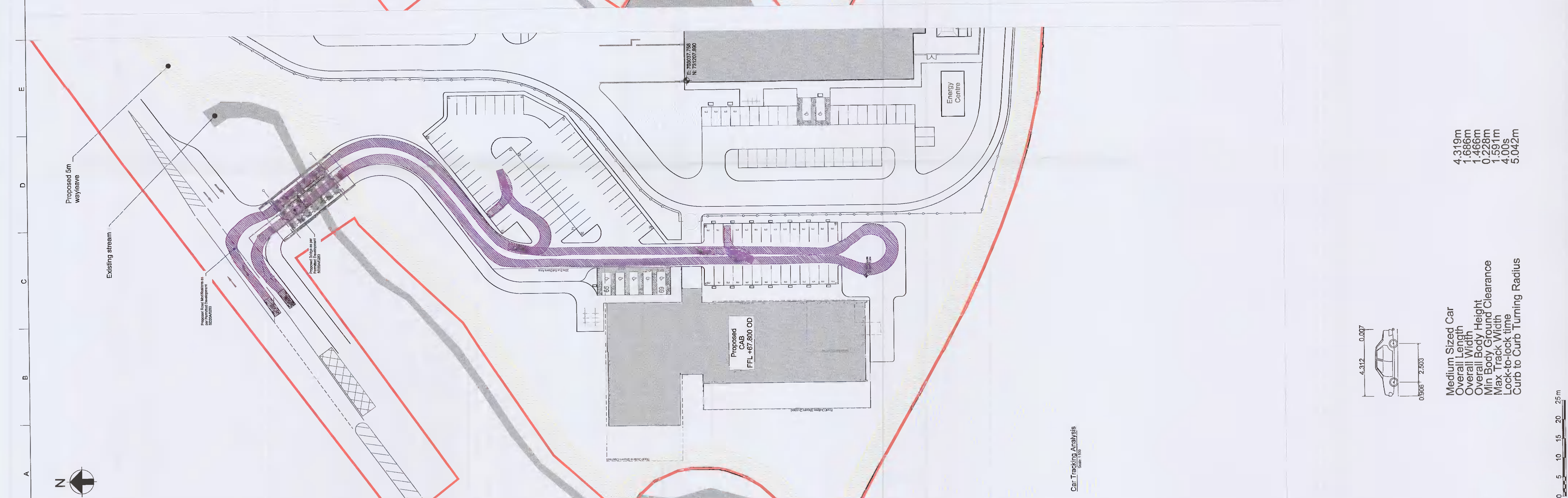
Phoenix 2-12W (with Elite 2 4x2 chassis)
Overall Length 8,356m
Overall Width 2,550m
Overall Body Height 0,410m
Min Body Ground Clearance 2,500m
Track Width 4,005m
Lock-to-lock time 7,300m



Dennis Sabre Fire Tender (LWB)
Overall Length 7,700m
Overall Width 2,430m
Overall Body Height 3,512m
Min Body Ground Clearance 3,397m
Track Width 2,388m
Lock-to-lock time 7,400m



7.5t Panel Van
Overall Length 7,210m
Overall Width 2,192m
Overall Body Height 2,544m
Min Body Ground Clearance 2,316m
Track Width 4,005m
Lock-to-lock time 7,400m



Medium Sized Car
Overall Length 4,312m
Overall Width 1,686m
Overall Body Height 0,425m
Min Body Ground Clearance 1,559m
Track Width 4,005m
Lock-to-lock time 5,042m