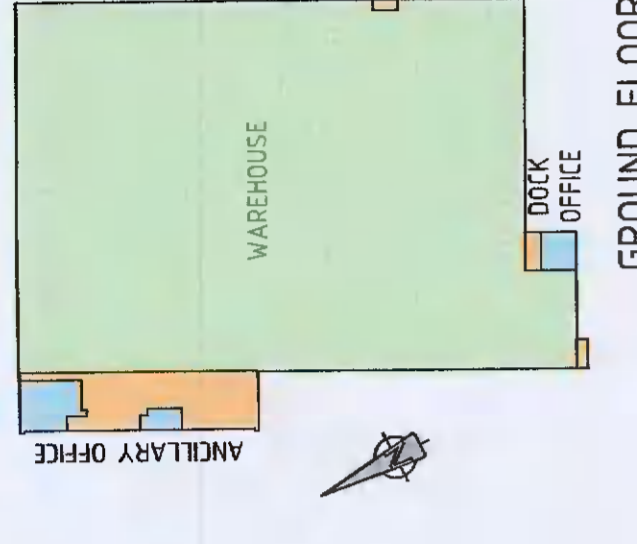


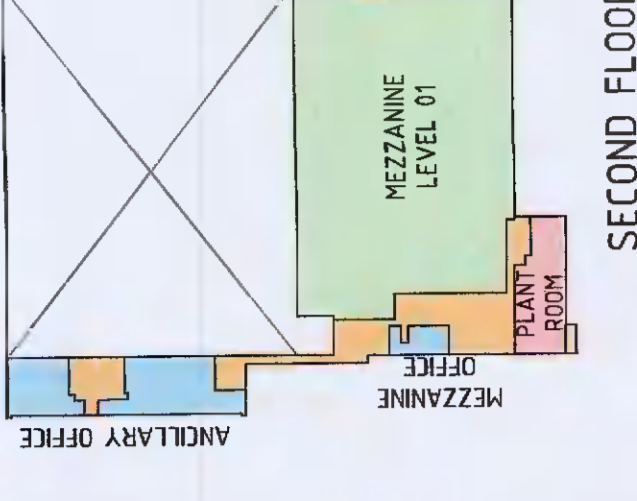
KEY PLAN



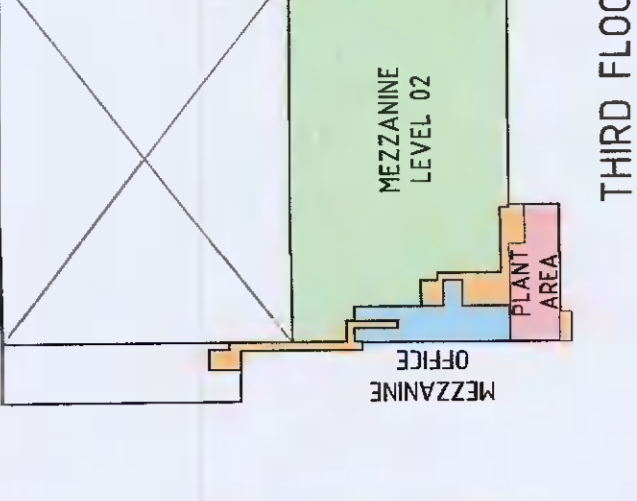
GROUND FLOOR



FIRST FLOOR



SECOND FLOOR

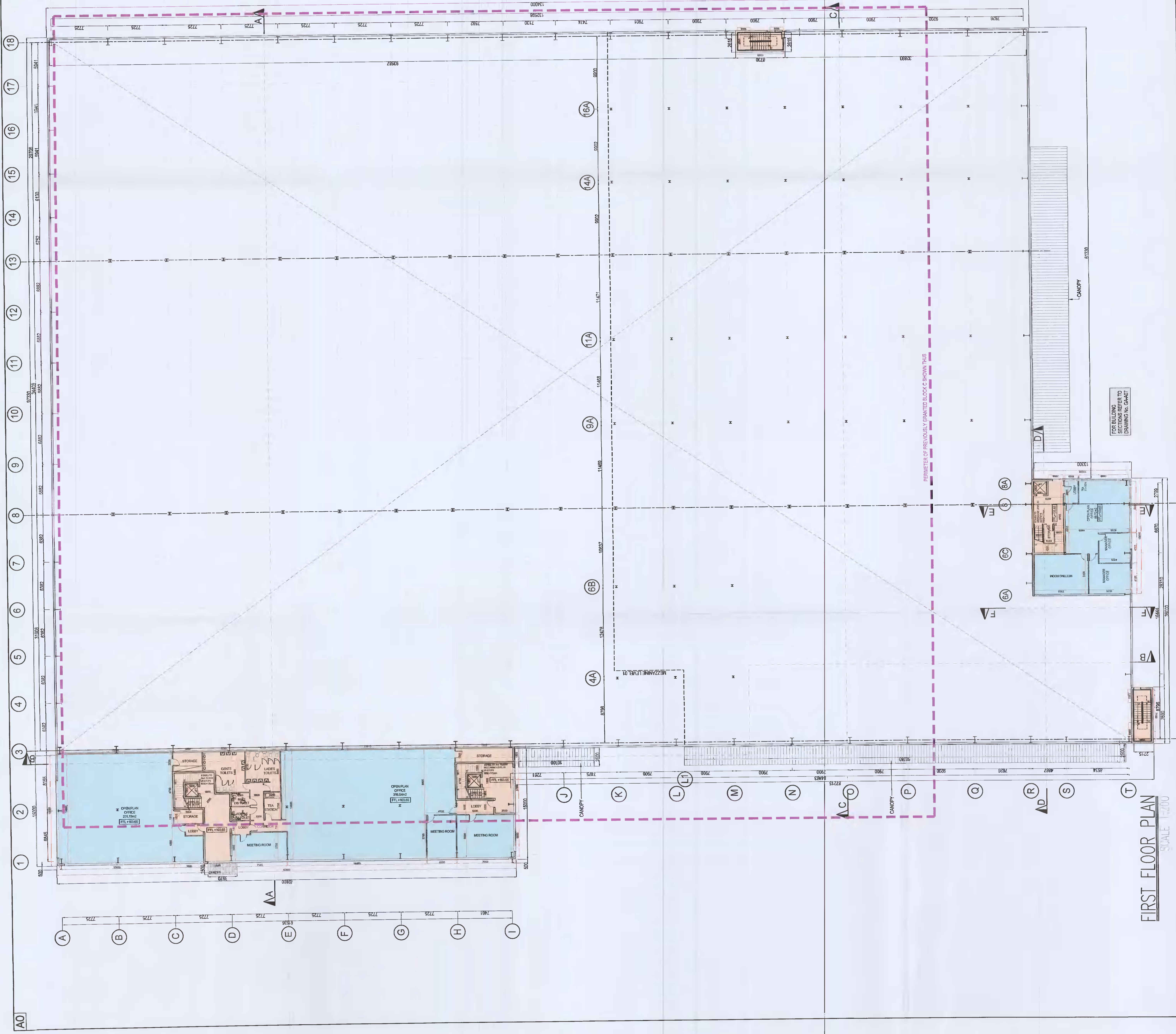
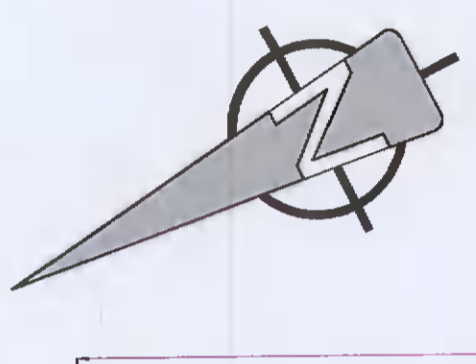


THIRD FLOOR



FOURTH FLOOR

\*TABLE OF AREAS SHOWN ON DRAWING "D2-SITE PLAN".



FIRST FLOOR PLAN  
SCALE 1:200

FOR BUILDING SECTIONS REFER TO DRAWING PL 0400

Project Name	PLANNING ALTERATION
Client	DEVELOPMENT AT SITE C, COLLEGE LANE, GREENOGUE RATHCOOLE CO. DUBLIN
Drawn By	JORDANSTOWN PROPERTIES LTD
Checked By	KAVANAGH BURKE CONSULTING ENGINEERS
Scale	1:200
Date	10th July 2021
Revision	PL3
Project No.	CA-A02
Drawing No.	D1658