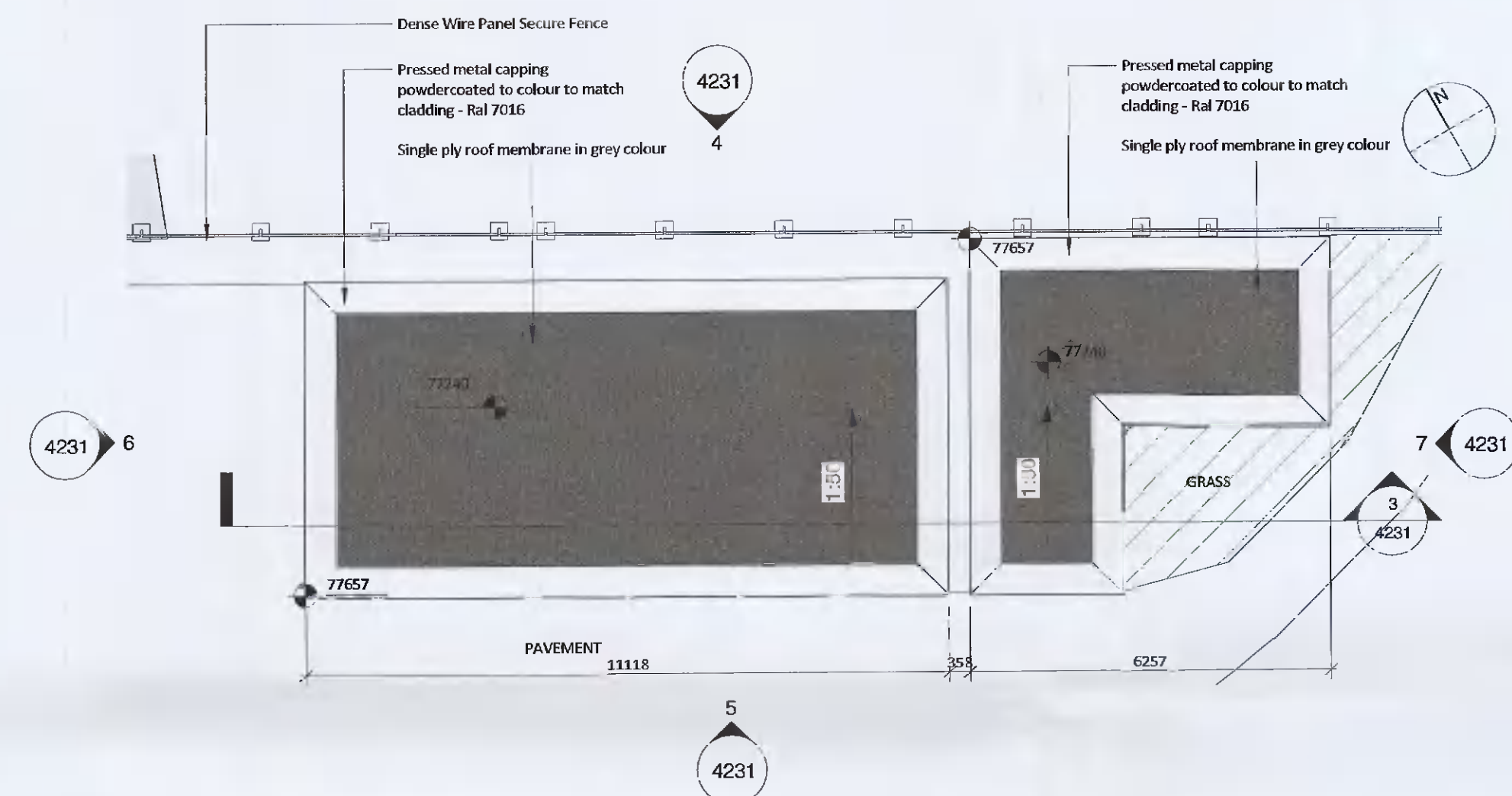


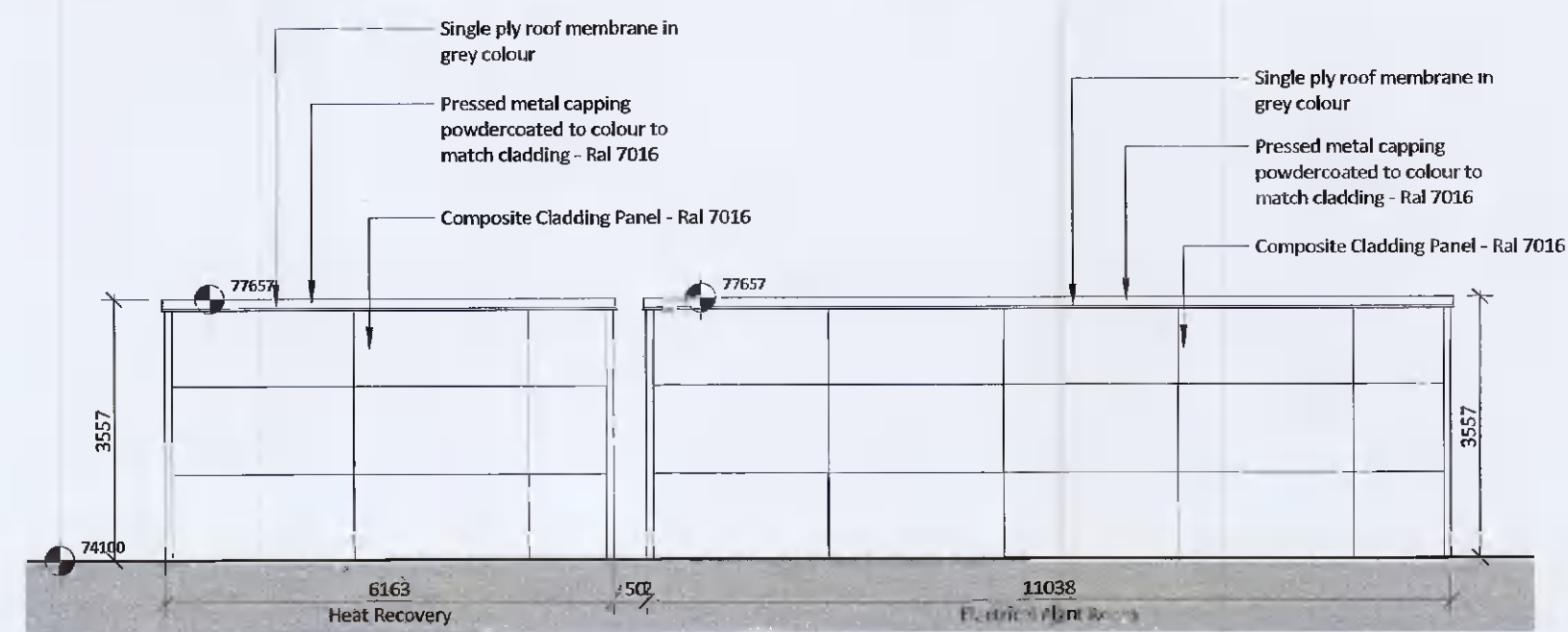
**1 Heat Recovery/Electrical Plant Room Plan**  
1 : 100



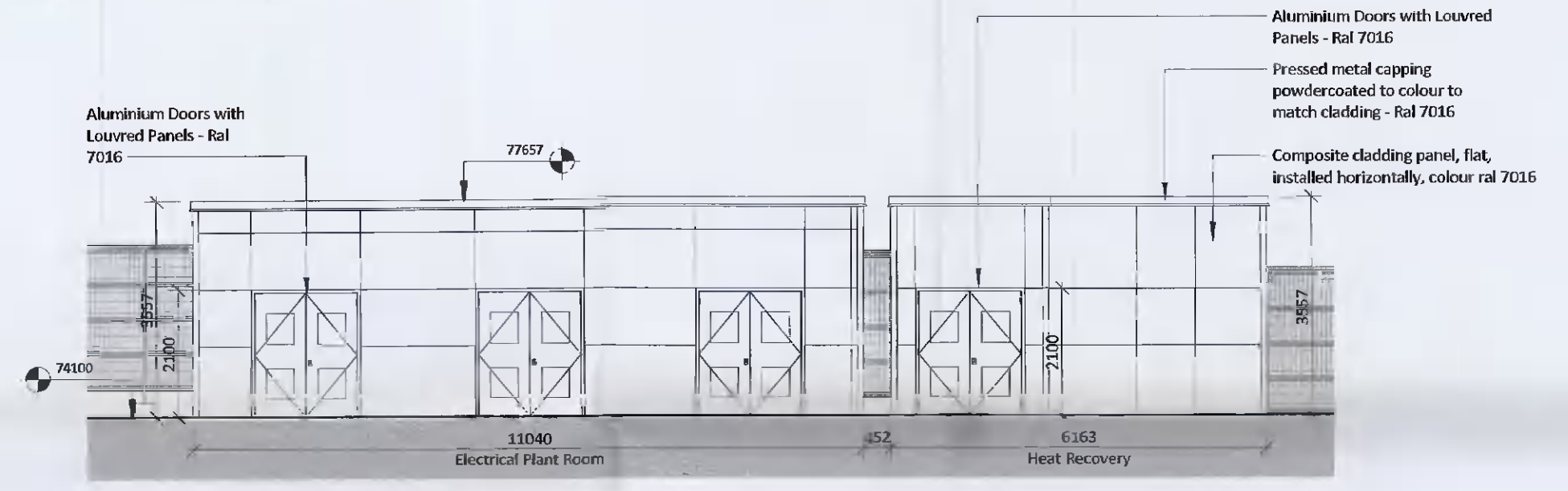
**2 Heat Recovery/Electrical Plant Room Plan - Roof Plan**  
1 : 100



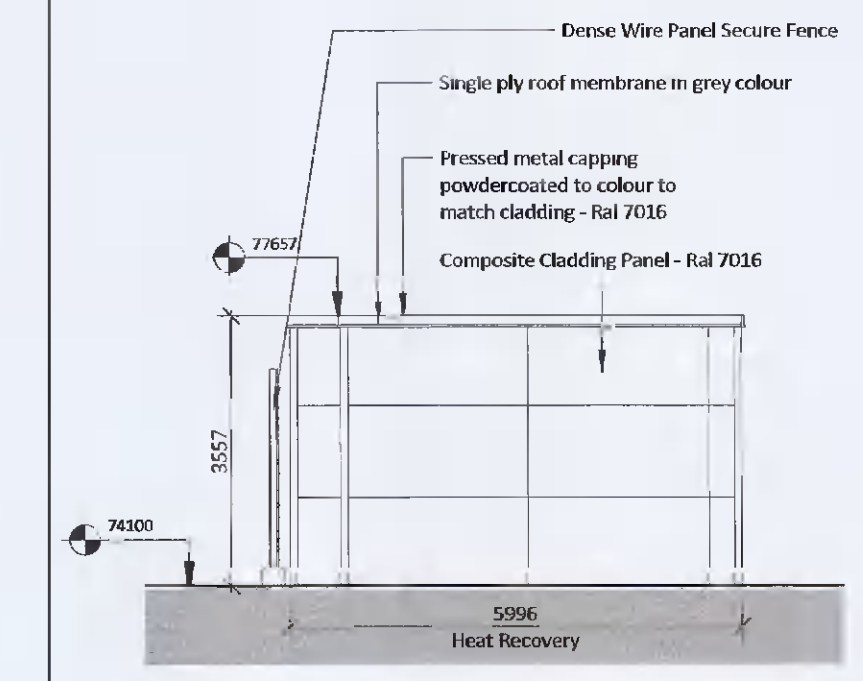
**3 Heat Recovery/Electrical Plant Room Section**  
1 : 100



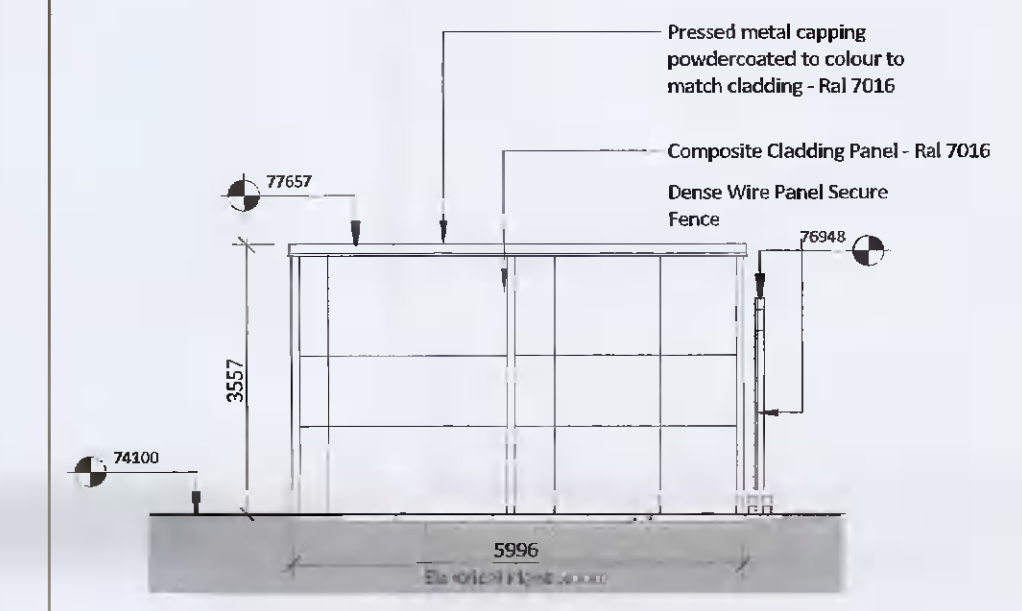
**4 Plant Rooms North Elevation**  
1 : 100



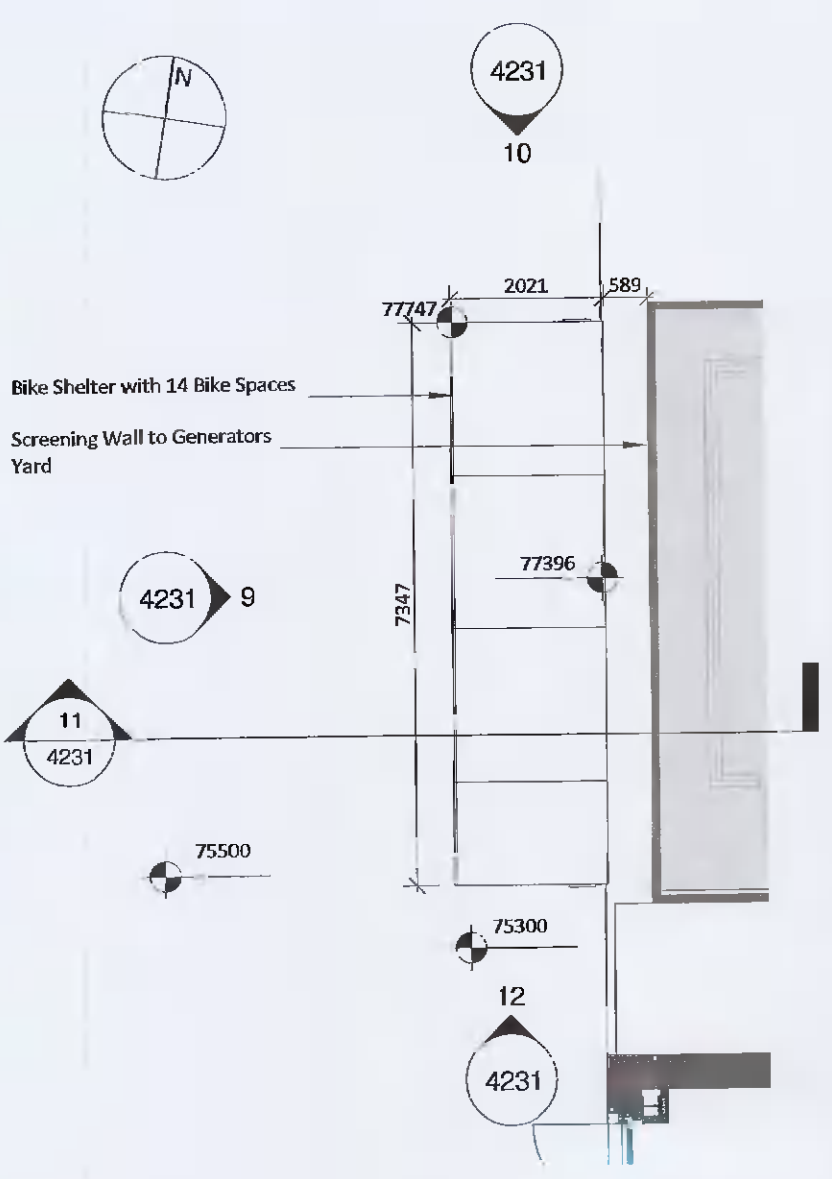
**5 Plant Rooms South Elevation**  
1 : 100



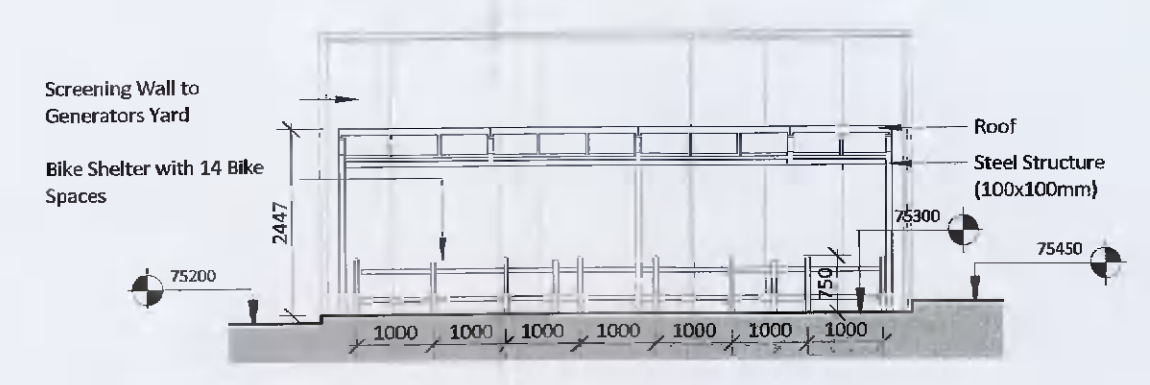
**6 Plant Rooms East Elevation**  
1 : 100



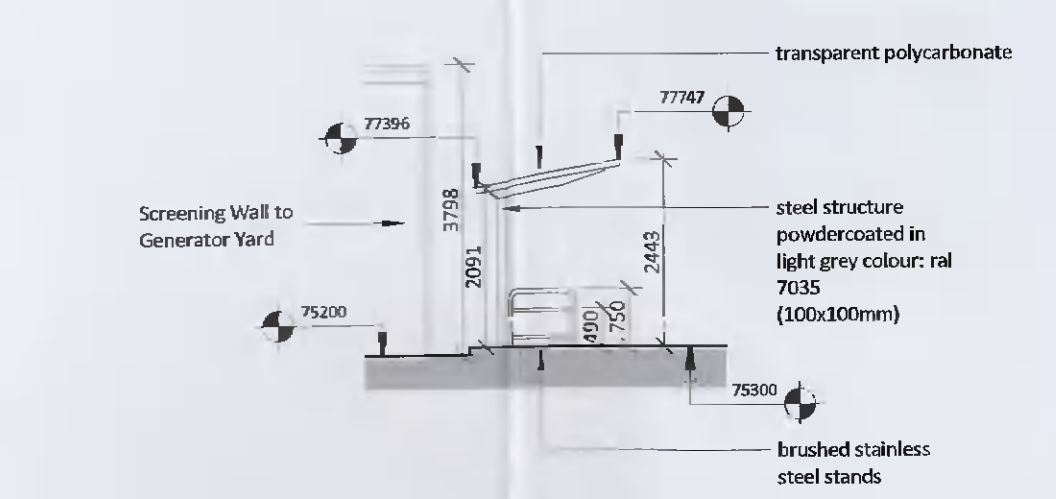
**7 Plant Rooms West Elevation**  
1 : 100



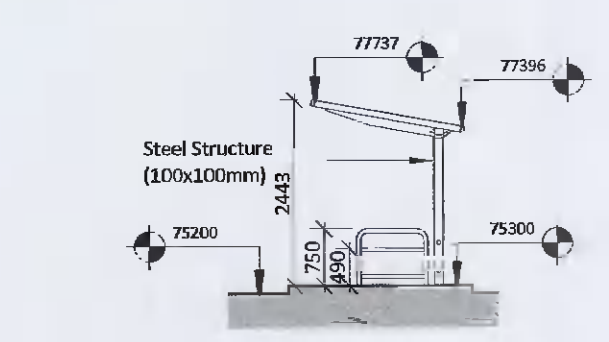
**8 Bicycle Shelter Plan**  
1 : 100



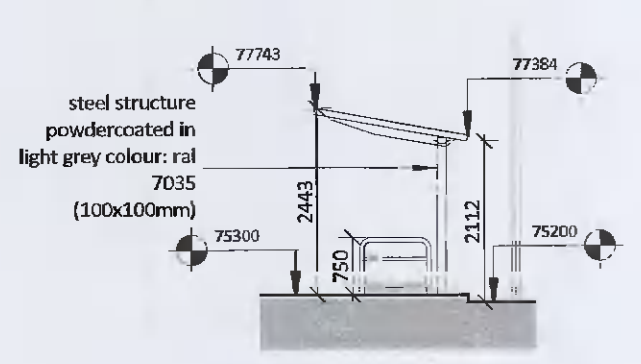
**9 Bicycle Shelter - West Elevation**  
1 : 100



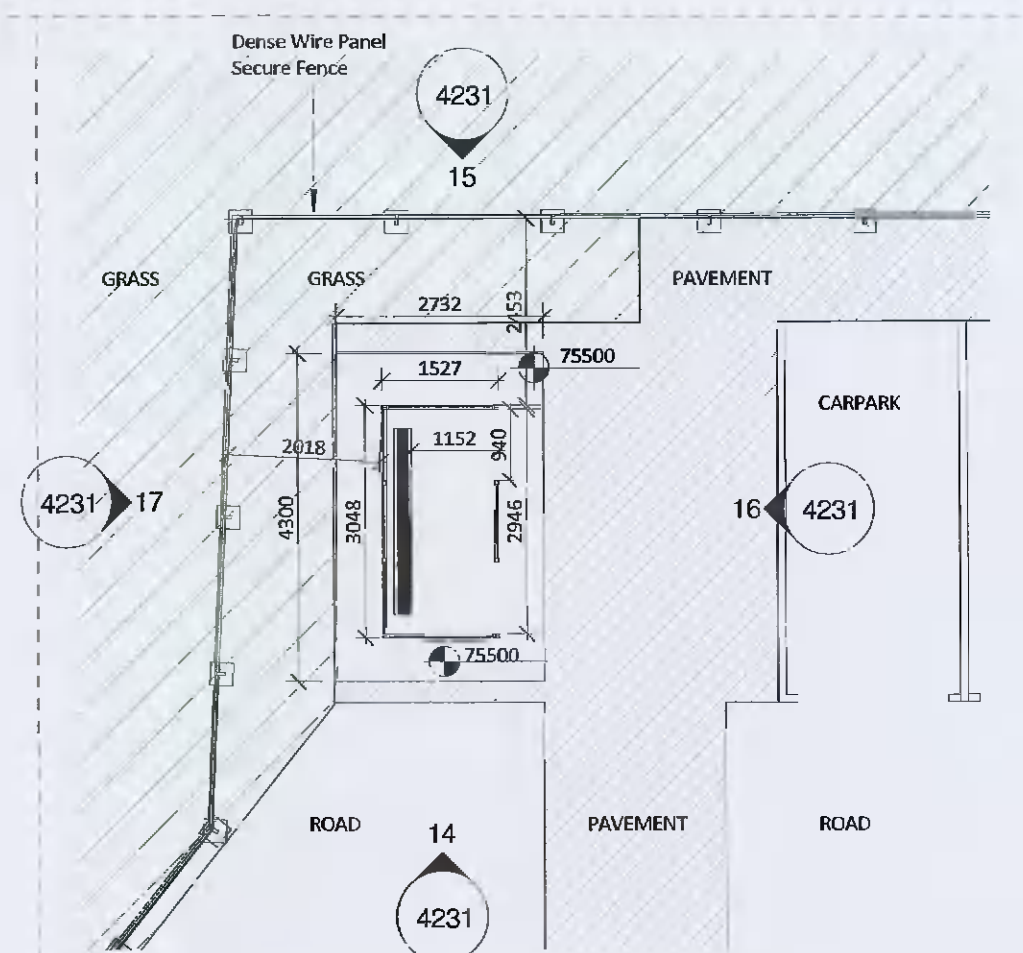
**10 Bicycle Shelter - North Elevation**  
1 : 100



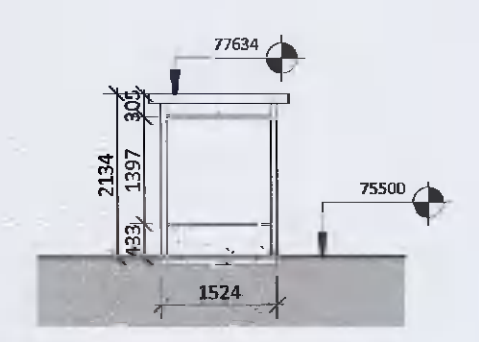
**11 Bicycle Shelter Section**  
1 : 100



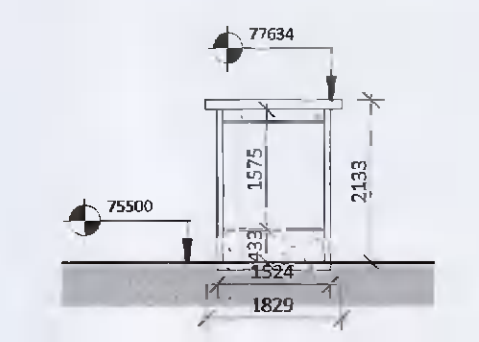
**12 Bicycle Shelter - South Elevation**  
1 : 100



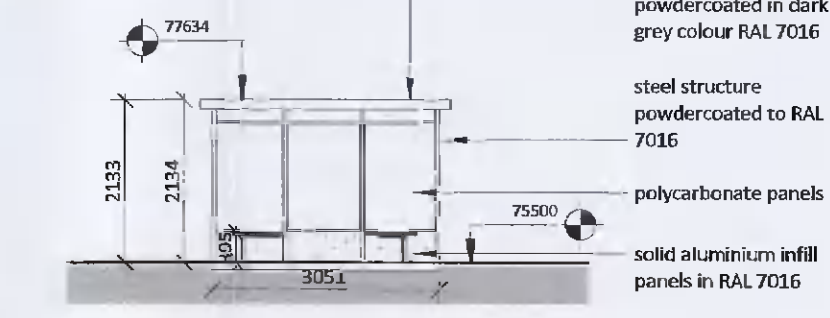
**13 Smoke Shelter Plan**  
1 : 100



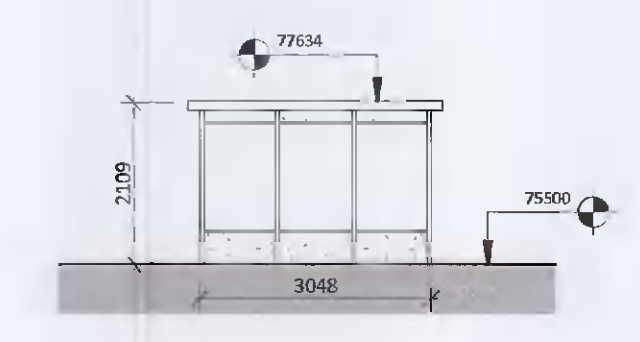
**14 Smoke Shelter South Elevation**  
1 : 100



**15 Smoke Shelter North Elevation**  
1 : 100



**16 Smoke Shelter East Elevation**  
1 : 100



**17 Smoke Shelter West Elevation**  
1 : 100

Client: **EQUINIX**

HAZARD IDENTIFICATION LEGEND:

HAZARD IDENTIFICATION (if none state 'none relevant')	CONTROL AND MITIGATION MEASURES

**NOTE:**  
Hazards listed above are only those considered significant risks and:

- a) not likely to be obvious to a competent contractor or other designers;
- b) unusual; or
- c) likely to be difficult to manage effectively

REV	DATE	DESCRIPTION	NC	MB	JS
P01	2021-06-16	Issued for Planning			
			DWN	CHK	APP

Key:

Project: DB8 - Equinix

Drawing Title: Proposed Ancillary Buildings - ESB Substation, Heat Exchange Plantroom, Bike Shelter, Smoking Shelter

Drawing Number: DB80-RKD-ZZ-XX-DR-A-ZZZZ-4231

Scale: Paper Size: Purpose: Revision:  
1:100 A1 S4 P01