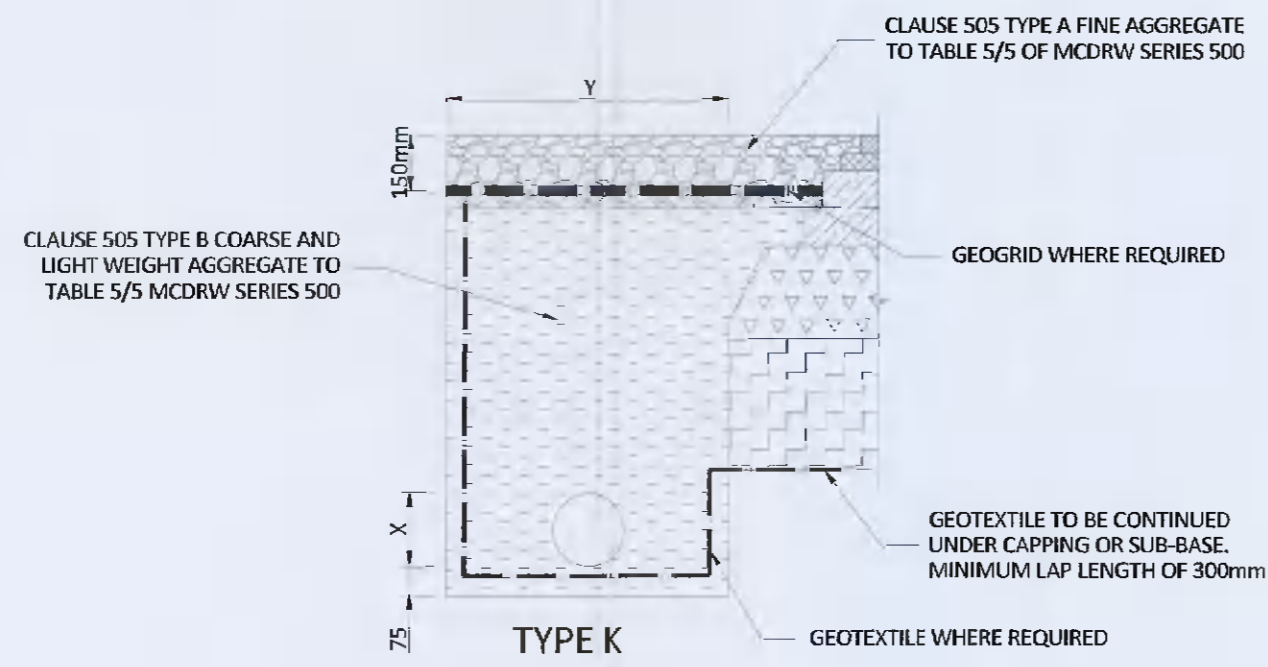


**FILTER DRAINS TRENCH AND BEDDING DETAILS**  
NOTES:

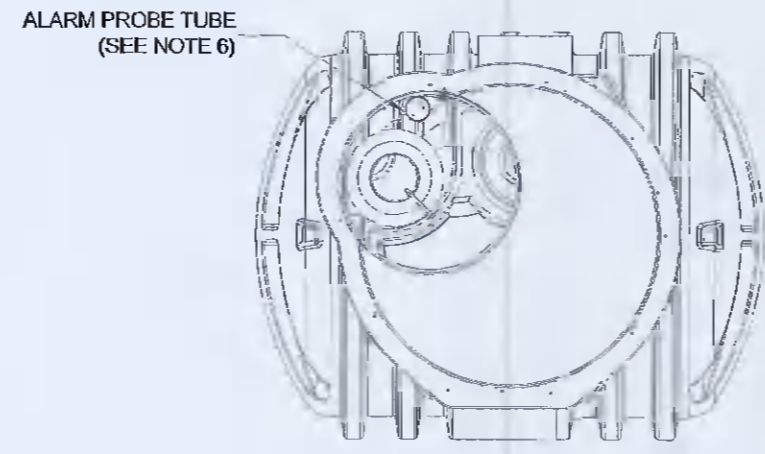
1. ALL DIMENSIONS ARE IN MILLIMETRES.
2. DIMENSION X IS THE EXTERNAL DIAMETER OF THE PIPE.
3. PIPES ARE TO BE LAID WITH SLOTS OR PERFORATIONS UPWARDS WHERE A CONCRETE BED IS USED.
4. MINIMUM DRAIN WIDTH Y=X+300 FOR DRAINS NOT EXCEEDING 1.5m COVER BELOW FINISHED LEVEL. Y=X+450 FOR DRAINS EXCEEDING 1.5m COVER BELOW FINISHED LEVEL.
5. MAXIMUM PIPE DIAMETER TO BE 450mm.
6. LOCATION AND DETAILS OF REQUIRED GEOTEXTILE SHALL BE AS DESCRIBED IN APPENDIX 5/4.
7. REFER TO NRA HD 33 FOR GEOTEXTILE REQUIREMENTS AND SOLUTIONS TO STONE SCATTER.



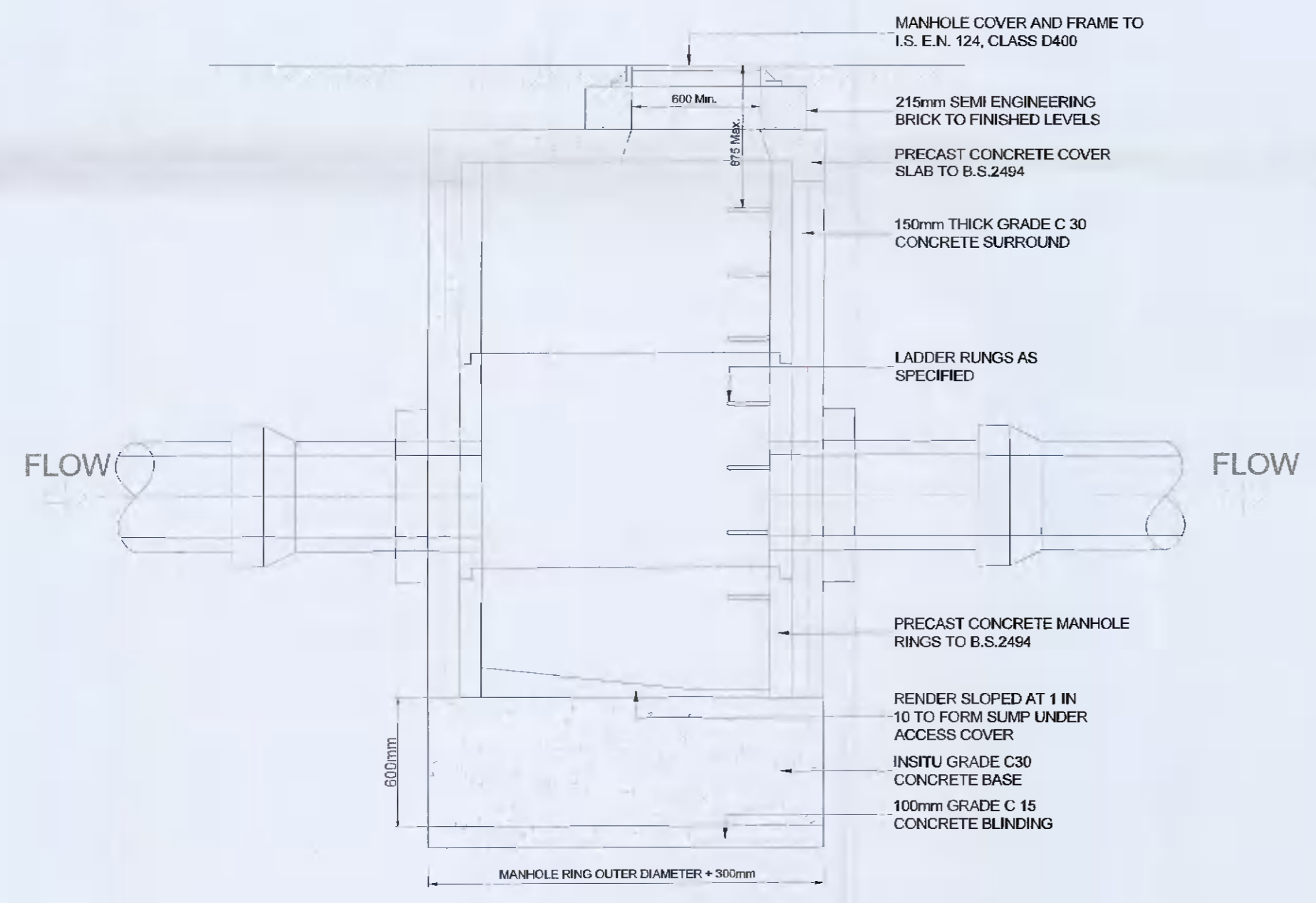
**FILTER DRAINS TRENCH AND BEDDING DETAILS**  
SCALE 1:20

REF. NO.	FLOW (l/s)	DRAINAGE AREA	SILT STORAGE CAPACITY LITRES	OIL STORAGE CAPACITY LITRES	LENGTH (L) (mm)	UNIT DIA. (D) (mm)	MANHOLE COVER (D1) (mm)	BASE TO INVERT (A) (mm)	BASE TO OUTLET (B) (mm)	MIN. INLET INVERT. (E) (mm)	STANDARD PIPEWORK DIA. (C) (mm)	STANDARD FALL ACROSS (mm)
NSBP003	3	1670	300	45	1700	1350	600	1420	1320	500	180	100

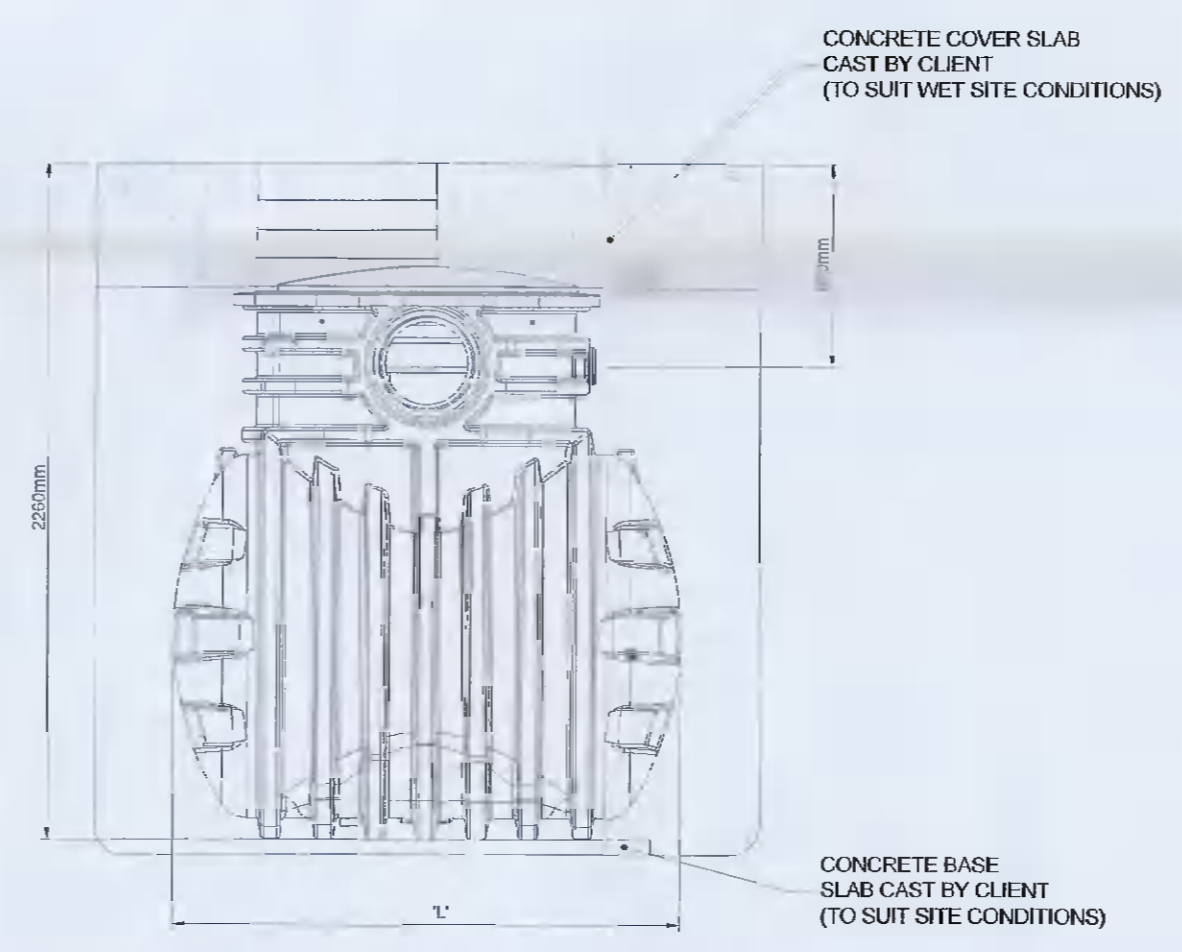
**TYPICAL SIZE OF KLARGESTER CLASS 1 INTERCEPTOR**  
(Subject to planning, unit dimensions & surround provided at detailed design stage).



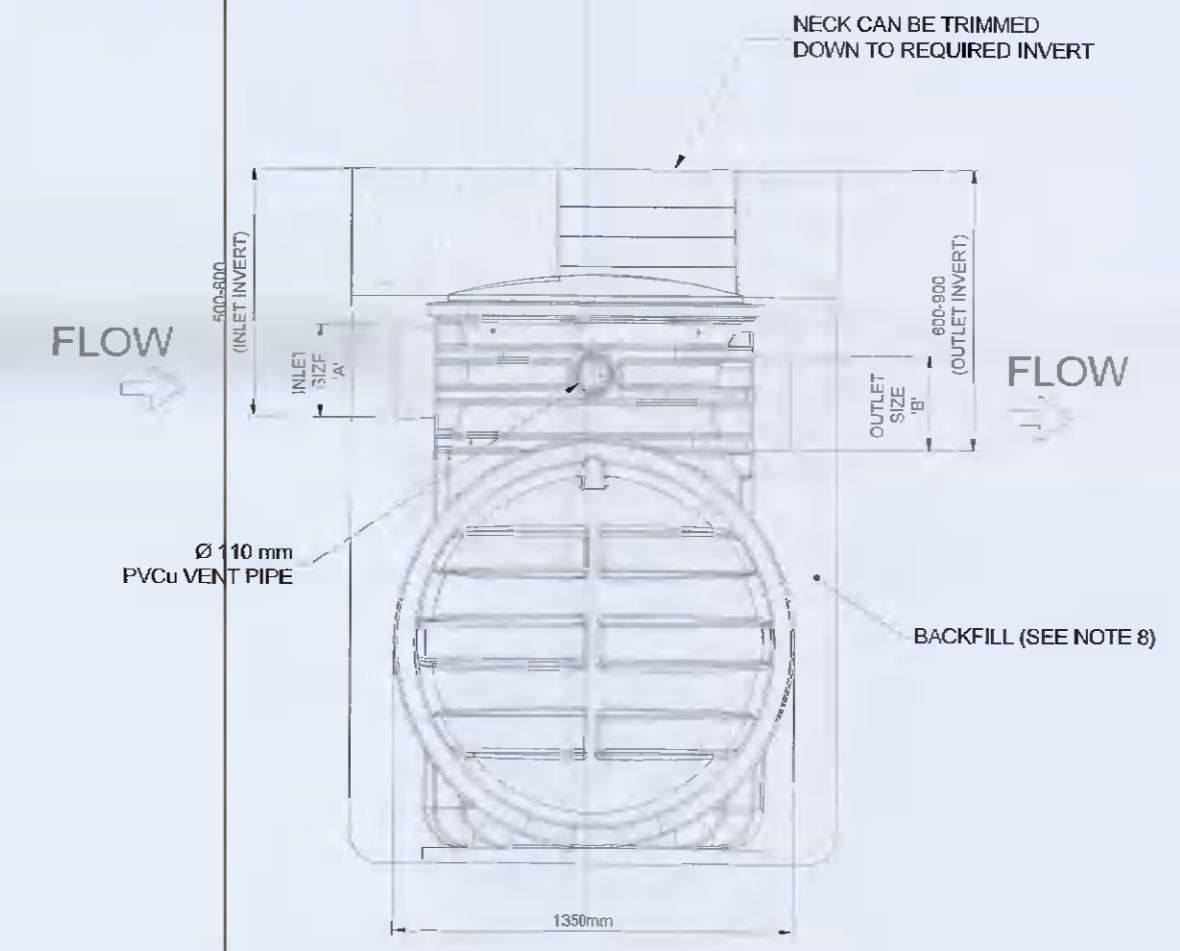
**KLARGESTER CLASS 1 INTERCEPTOR**  
PLAN VIEW  
OR SIMILAR APPROVED  
SCALE 1:25



**TYPICAL CATCH PIT**  
MAX. DEPTH G.L. TO I.L. - 3.0m  
SCALE 1:25



**KLARGESTER CLASS 1 INTERCEPTOR**  
SECTION B - B  
OR SIMILAR APPROVED  
SCALE 1:25



**KLARGESTER CLASS 1 INTERCEPTOR**  
SECTION A-A  
OR SIMILAR APPROVED  
SCALE 1:25

- NOTES:
1. INLET / OUTLET PIPES ARE PLAIN PIPE Ø315mm PVCu. THE STANDARD EN 856 STATES MINIMUM CONNECTION SIZES. UNITS ORDERED WITH DIFFERENT SIZED CONNECTIONS ARE NOT FULLY COMPLIANT WITH THE STANDARD.
  2. EXTENSION NECKS FOR DEEPER INVERTS CAN BE PROVIDED. THESE CAN BE CUT IN 200 mm SECTIONS. MAX. 2.0m INVERT RECOMMENDED. PLEASE ASK OUR SALES DEPARTMENT FOR FURTHER DETAILS.
  3. ALL UNITS REQUIRE APPROPRIATE COVER AND FRAME TO SUIT APPLIED LOADINGS.
  4. THIS DRAWING SHOULD BE USED FOR DIMENSIONAL INFORMATION ONLY. IT IS ESSENTIAL THAT THIS DRAWING IS READ IN CONJUNCTION WITH THE INSTALLATION GUIDELINES SUPPLIED WITH THE UNIT. (COPIES ARE AVAILABLE FROM OUR SALES DEPT.).
  5. THIS DRAWING IS ALSO AVAILABLE ON OUR WEBSITE [www.klargester.com](http://www.klargester.com).
  6. A Ø76 mm TUBE (INTERNAL) IS SUPPLIED TO HOUSE AN OIL ALARM PROBE.
  7. WET SITE CONDITIONS - CONCRETE BACKFILL DRY SITE CONDITIONS - PEA SHINGLE BACKFILL. PLEASE REFER TO INSTALLATION MANUAL FOR DETAILS OF CORRECT BACKFILLING.

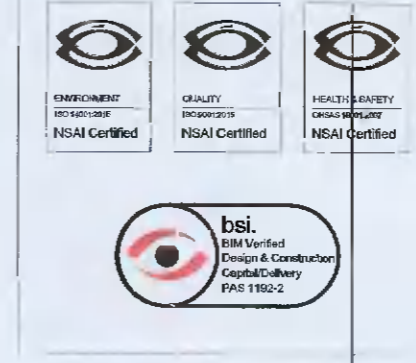
**PLANNING DRAWING.**  
NOT FOR CONSTRUCTION.  
ALL LEVELS GIVEN ARE RELATIVE TO ORDNANCE DATUM.  
THIS DRAWING HAS BEEN ISSUED FOR INFORMATION PURPOSES ONLY AND MUST NOT BE USED FOR CONSTRUCTION UNDER ANY CIRCUMSTANCES

ORDNANCE SURVEY OF IRELAND LICENCE NO. EN0000821 © GOVERNMENT OF IRELAND

- FOR SETTING OUT REFER TO ARCHITECT'S DRAWINGS.
- THIS DRAWING TO BE READ IN CONJUNCTION WITH ALL OTHER ARCHITECTURAL AND ENGINEERING DRAWINGS AND ALL OTHER RELEVANT DRAWINGS AND SPECIFICATIONS.
- DO NOT SCALE THIS DRAWING. USE FIGURED DIMENSIONS ONLY.
- NO PART OF THIS DOCUMENT MAY BE REPRODUCED OR TRANSMITTED IN ANY FORM OR STORED IN ANY RETRIEVAL SYSTEM OF ANY NATURE WITHOUT THE WRITTEN PERMISSION OF O'CONNOR SUTTON CRONIN AS COPYRIGHT HOLDER EXCEPT AS AGREED FOR USE ON THE PROJECT FOR WHICH THE DOCUMENT WAS ORIGINALLY ISSUED.

Rev No.	Date	Revision Note	Dm by	Chkd by
PC1	22.04.21	SUITABLE FOR INFORMATION	RB	DOM
PC2	11.06.21	STAGE COMPLETE - SUITABLE FOR STAGE APPROVAL	DOM	BM
PC3	24.06.21	STAGE COMPLETE - SUITABLE FOR PLANNING	DOM	BM

Rev No.	Date	Revision Note	Dm by	Chkd by



Head Office,  
9 Prussia Street,  
Dublin 7,  
D07 KT57

TEL +353 (0)1 8682000

e: [contactus@ocsc.ie](mailto:contactus@ocsc.ie)  
w: [www.ocsc.ie](http://www.ocsc.ie)

Dublin London Belfast Galway Cork Birmingham



Client: TOYOTA IRELAND  
Project: TOYOTA LIFFEY VALLEY

Title: DRAINAGE DETAILS  
SHEET 1 OF 2

Code	Originator	Zone	Level	Type	Role	Number	Status	Revision
T260	OCSC	XX	XX	DR	C	0520	S4	P03

Date: APRIL '21 Scale: N.T.S. @ A1 Dm by: RB Chkd by: DOM Aprvd by: BM