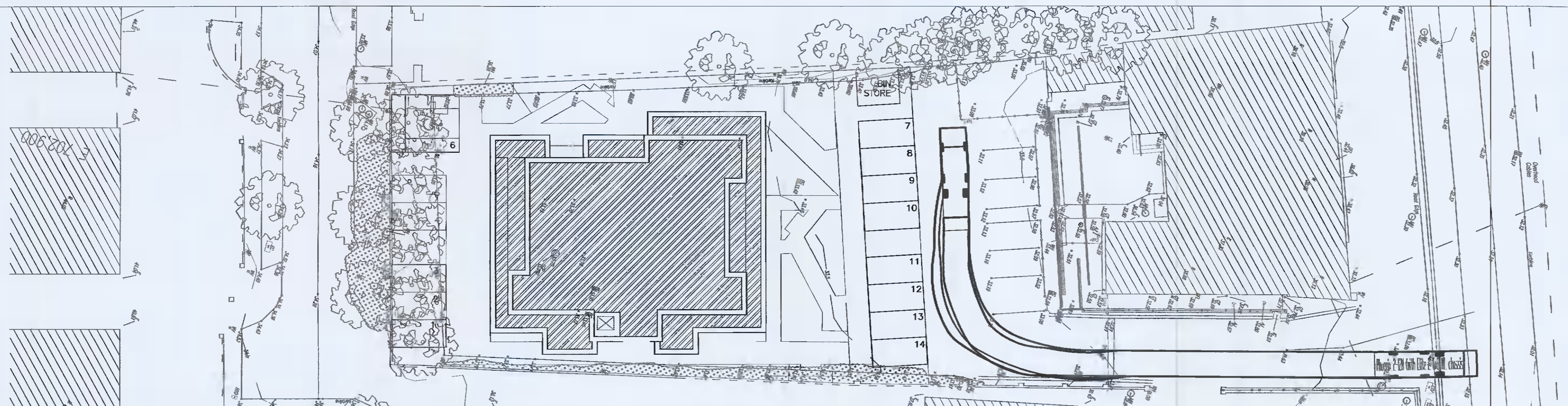


NOTES:
 MOLONY MILLAR CONSULTING CIVIL & STRUCTURAL ENGINEERS
 THIS DRAWING AND ANY DESIGN HEREON IS THE COPYRIGHT OF THE
 CONSULTANTS AND MUST NOT BE REPRODUCED WITHOUT THEIR WRITTEN
 CONSENT.

ALL DRAWINGS REMAIN THE PROPERTY OF THE CONSULTANTS.

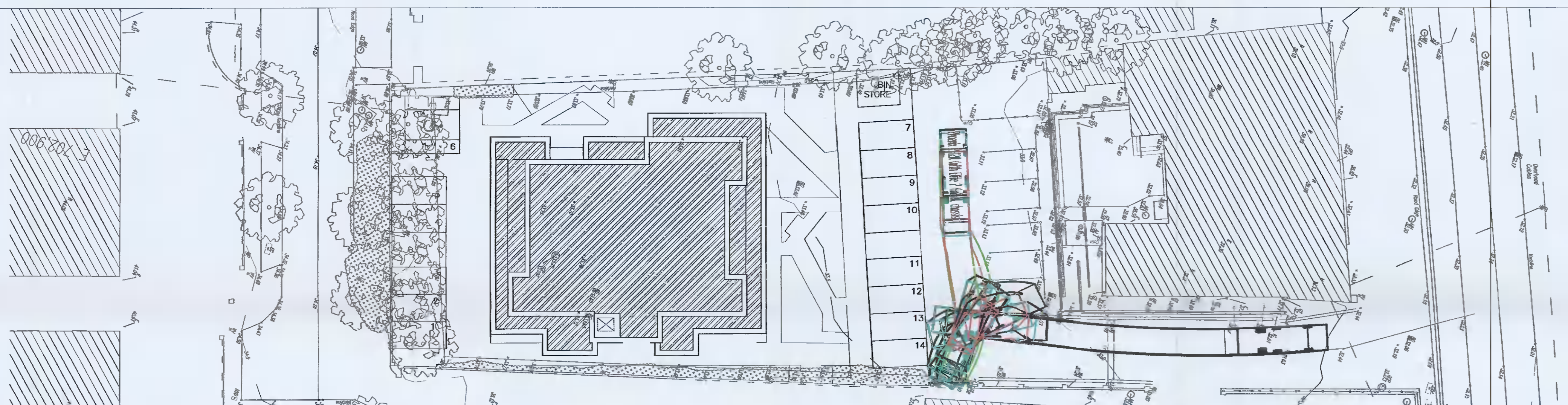
FIGURED DIMENSIONS ONLY TO BE TAKEN FROM THIS DRAWING.
 ALL DIMENSIONS TO BE CHECKED ON SITE.

CONSULTANTS TO BE INFORMED OF ANY DISCREPANCIES BEFORE WORK
 PROCEEDS.



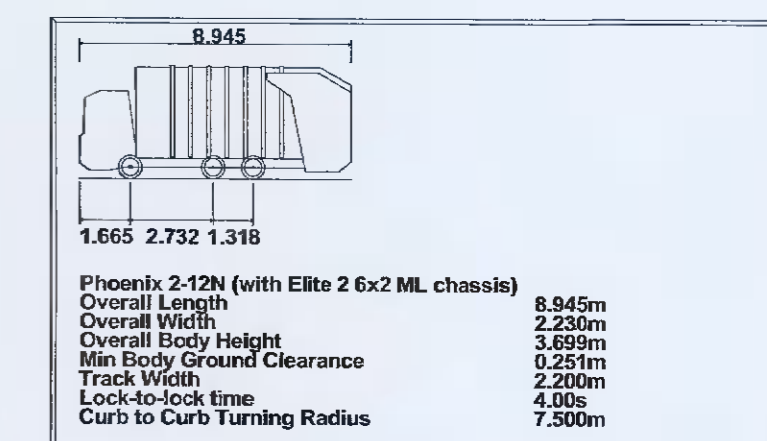
AUTOTRACK 05 - PHOENIX 2-12N (with Elite 2 6x2 ML CHASSIS) - IN

SCALE 1:250




AUTOTRACK 06 - PHOENIX 2-12N (with Elite 2 6x2 ML CHASSIS) - OUT

SCALE 1:250



Rev	Date	Description	By	Chkd

Client GERRY TEAGUE		 MOLONY MILLAR Consulting Civil and Structural Engineers Riverbank House Ballyboden Road Rathfarnham Dublin 14 Ireland Tel (353-1) 4830211
Project Title BALL ALLEY HOUSE, LEIXLIP ROAD, LUCAN, Co. DUBLIN		
Drawing Title AUTOTRACKS 05 - 06 PHOENIX 2-12N REFUSE TRUCK		email info@molonymillar.ie Web www.molonymillar.ie 
Architect CDP ARCHITECTURE	Scale AS NOTED @ A1 Date MAY 2021	
Drawn CIARAN COGGIN	Chkd ALAN MANTHE	
Cad File: S:\600\630-344\G.A.		
Drawing Status PLANNING	Job Number 930-340	Drawing Number AT02