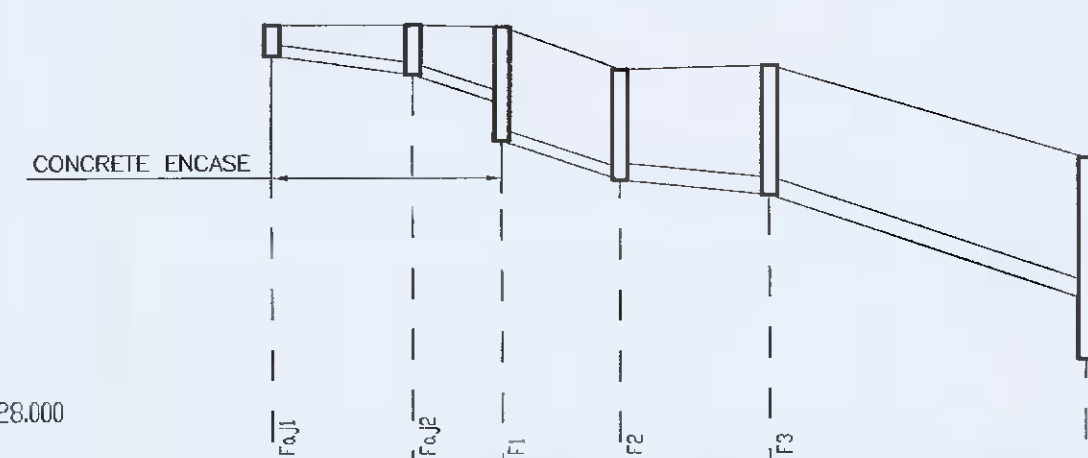


NOTES:
 MOLONY MILLAR CONSULTING CIVIL & STRUCTURAL ENGINEERS
 THIS DRAWING AND ANY DESIGN HEREON IS THE COPYRIGHT OF THE
 CONSULTANTS AND MUST NOT BE REPRODUCED WITHOUT THEIR WRITTEN
 CONSENT.

ALL DRAWINGS REMAIN THE PROPERTY OF THE CONSULTANTS.
 FIGURED DIMENSIONS ONLY TO BE TAKEN FROM THIS DRAWING.
 ALL DIMENSIONS TO BE CHECKED ON SITE.

CONSULTANTS TO BE INFORMED OF ANY DISCREPANCIES BEFORE WORK
 PROCEEDS.

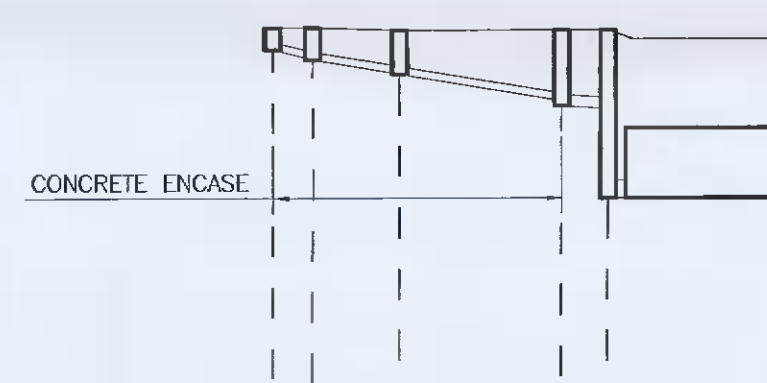


Level Datum =28.000

COVER LEVEL	33.800	33.780	33.788	33.829	33.870	33.946
INVERT LEVEL	33.400	33.582	33.296	33.770	33.573	33.883
Pipe Diameter	150ø		225ø			
Pipe Gradient	1:75	1:30	1:75	1:30		
Distance	18600	11700	15600	19700	41700	

**FOUL LONGITUDINAL SECTION
 Faj1 TO F4**

HORIZONTAL SCALE 1:1000
 VERTICAL SCALE 1:100

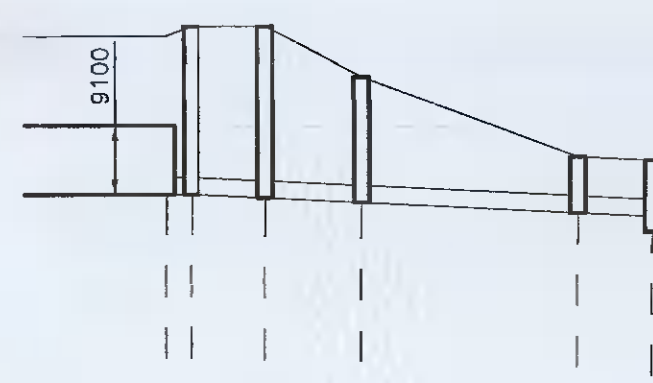


Level Datum =28.000

COVER LEVEL	33.810	33.810	33.788	33.786	33.788	33.650
INVERT LEVEL	33.530	33.580	33.388	33.803	33.788	33.650
Pipe Diameter	100ø		150ø	225ø		
Pipe Gradient	1:40	1:60	1:150			
Distance	5200	11500	21300	6100	1500 NTS	

**SW LONGITUDINAL SECTION
 Saj1 TO SW ATT**

HORIZONTAL SCALE 1:1000
 VERTICAL SCALE 1:100

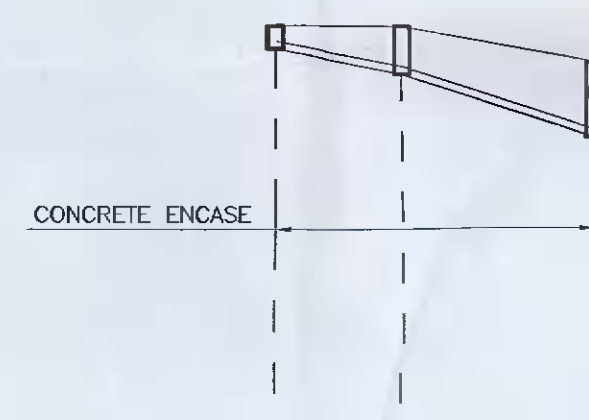


Level Datum =28.000

COVER LEVEL	33.855	33.828	33.788	33.788	33.788	33.788
INVERT LEVEL	33.855	33.828	33.788	33.788	33.788	33.788
Pipe Diameter	225ø					
Pipe Gradient	1:200					
Distance	1500 NTS	9700	12700	28500		9800

**SW LONGITUDINAL SECTION
 SW ATT TO S6**

HORIZONTAL SCALE 1:1000
 VERTICAL SCALE 1:100



Level Datum =28.000

COVER LEVEL	34.820	34.760	33.788
INVERT LEVEL	33.860	33.844	33.784
Pipe Diameter	100ø		
Pipe Gradient	1:50	1:30	
Distance	17300	25500	

**SW LONGITUDINAL SECTION
 Saj4 TO S1**

HORIZONTAL SCALE 1:1000
 VERTICAL SCALE 1:100



Level Datum =28.000

COVER LEVEL	33.820	33.788
INVERT LEVEL	33.788	33.782
Pipe Diameter	225ø	
Pipe Gradient	1:90	
Distance	20800	

**SW LONGITUDINAL SECTION
 S7 TO S4**

HORIZONTAL SCALE 1:1000
 VERTICAL SCALE 1:100

A	22.06.21	SW ATTENUATION REVISED	AM	RG
Rev	Date	Description	By	Chkd

Client
GERRY TEAGUE

Project Title
**PROPOSED RESIDENTIAL DEVELOPMENT AT
 BALL ALLEY HOUSE, LEXLIP ROAD,
 LUCAN, CO. DUBLIN**

Drawing Title
**FOUL & SW DRAIN AND SEWER
 LONGITUDINAL SECTIONS**

Architect
CDP ARCHITECTS

Scale AS SHOWN@A1 Date JUNE 2021

Drawn AM Chkd RG

Cad File: S:\DRAWINGS\

Drawing Status Job Number Drawing Number Revision
 PLANNING 930-344 C06 A

Client
MOLONY MILLAR

Riverbank House
 Ballyboden Road
 Rathfarnham
 Dublin 14
 Ireland

Tel (353-1) 4930211
 Fax (353-1) 4930215

email info@molonymillar.ie
 Web www.molonymillar.ie