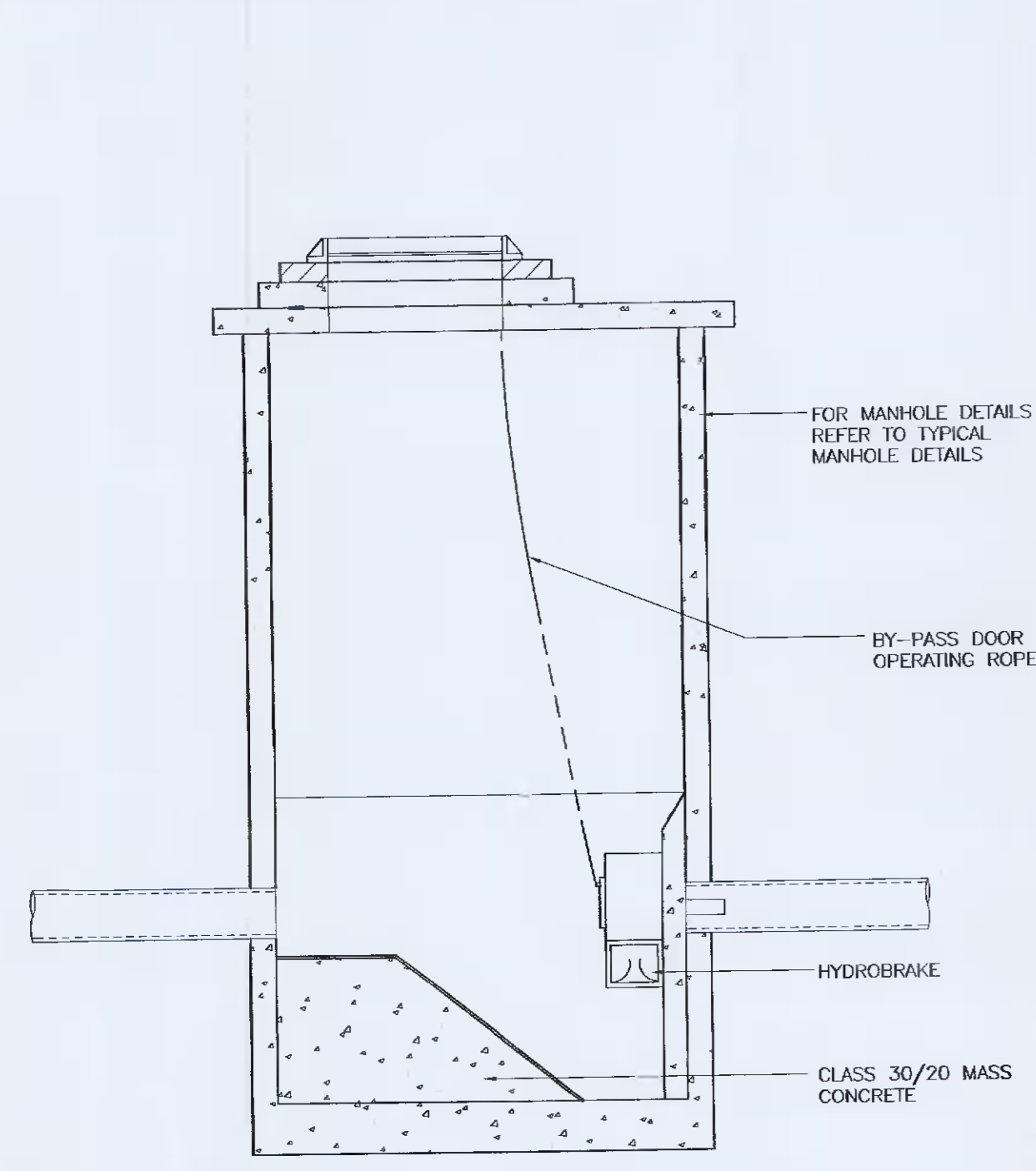
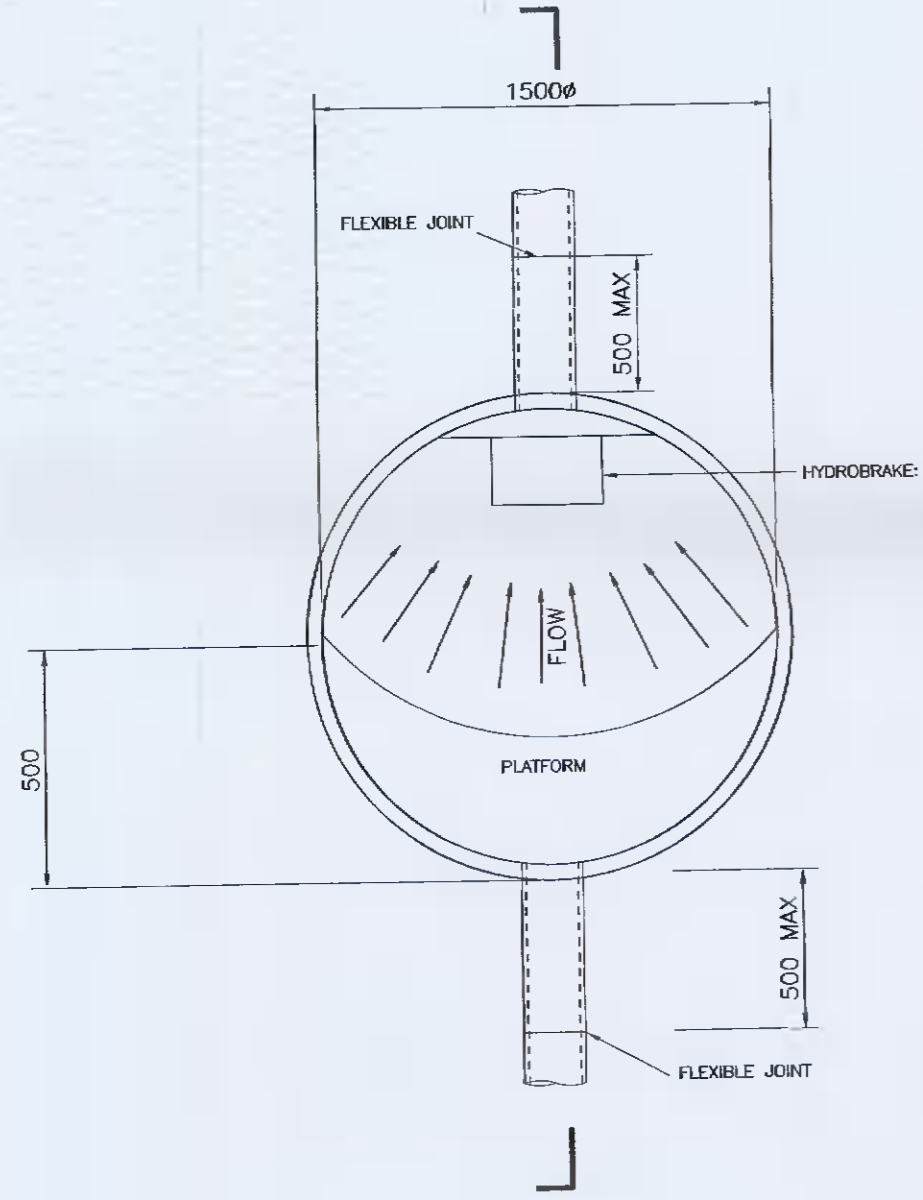


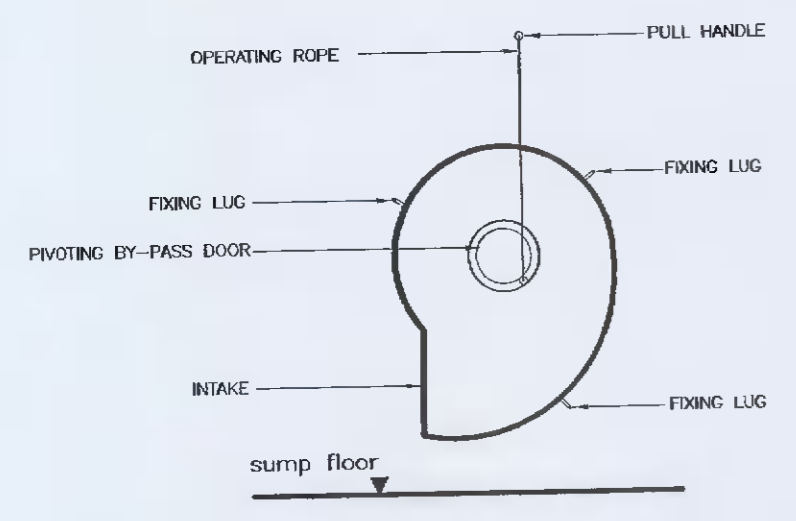
NOTES:
 MOLONY MILLAR CONSULTING CIVIL & STRUCTURAL ENGINEERS
 THIS DRAWING AND ANY DESIGN HEREON IS THE COPYRIGHT OF THE
 CONSULTANTS AND MUST NOT BE REPRODUCED WITHOUT THEIR WRITTEN
 CONSENT.
 ALL DRAWINGS REMAIN THE PROPERTY OF THE CONSULTANTS.
 FIGURED DIMENSIONS ONLY TO BE TAKEN FROM THIS DRAWING.
 ALL DIMENSIONS TO BE CHECKED ON SITE.
 CONSULTANTS TO BE INFORMED OF ANY DISCREPANCIES BEFORE WORK
 PROCEEDS.



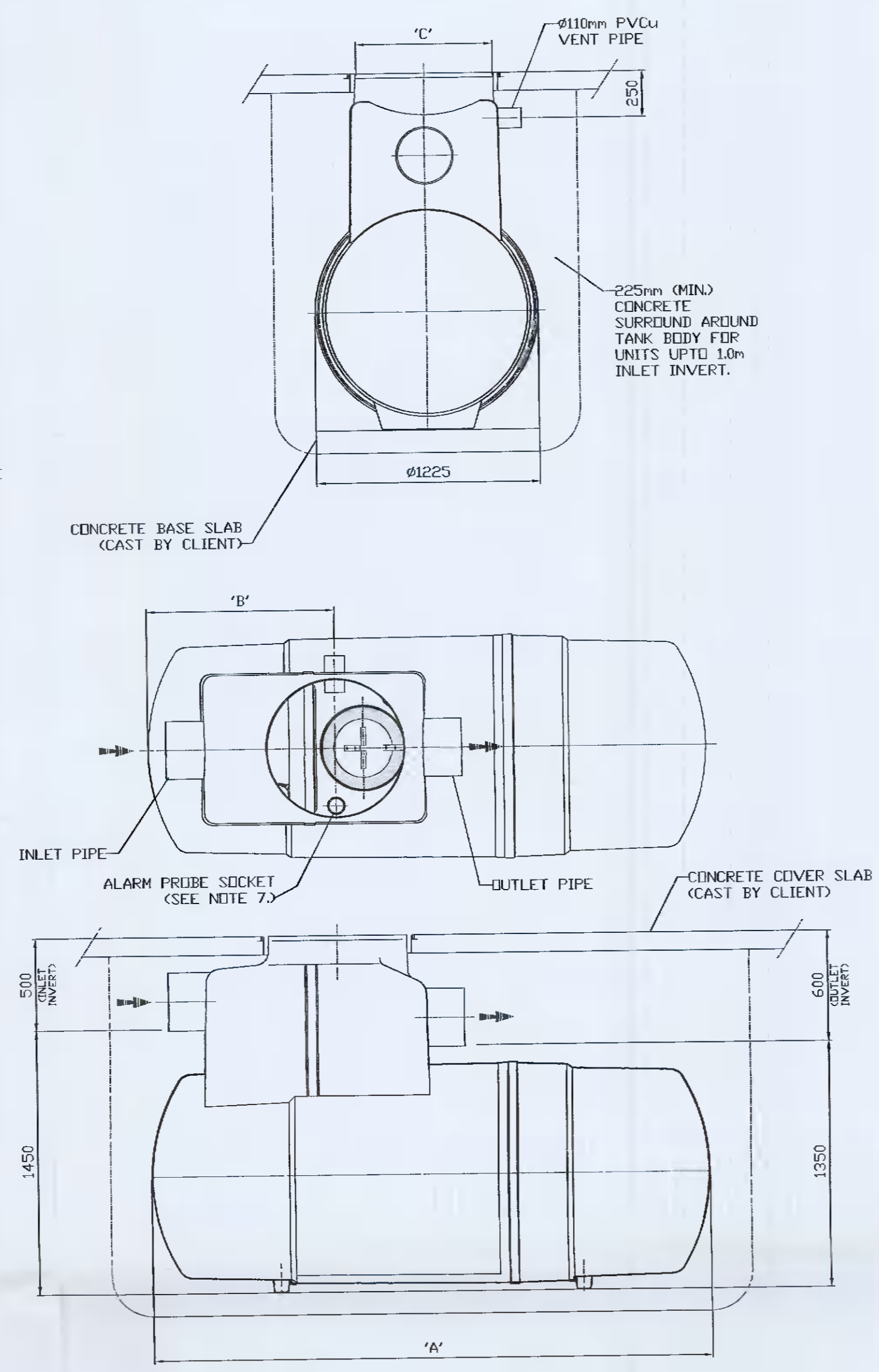
SECTION THRU
 HYDROBRAKE MANHOLE
 SCALE 1:25



PLAN ON HYDROBRAKE
 MANHOLE
 SCALE 1:25



FRONT VIEW OF HYDROBRAKE
 SHOWING CORRECT ORIENTATION

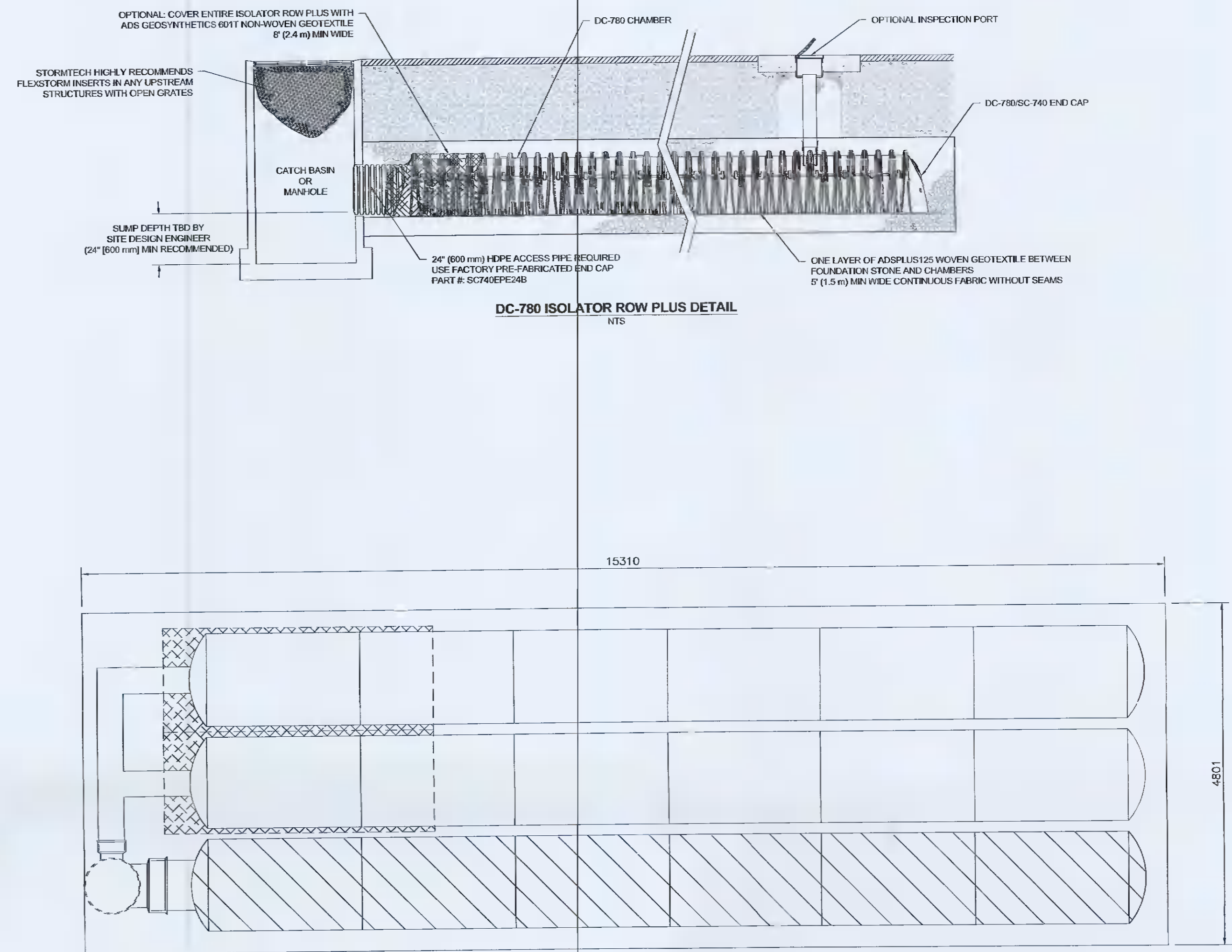


DIMENSIONS

UNIT REF No.	NOMINAL FLOW	DIM 'A'	DIM 'B'	DIM 'C'	STD. PIPE Ø	APPROX. EMPTY WEIGHT (KG)	FALL ACROSS UNIT
NSB3	3 L/S	1765	850	600	160	145	100
NSB4	4.5 L/S	1765	850	600	200	145	100
NSB6	6 L/S	1765	850	750	200	160	100
NSB8	8 L/S	3065	1030	750	225	210	100
NSB10	10 L/S	3915	1030	750	300	240	100
NSB12	12 L/S	3915	1030	750	300	240	100
NSB15	15 L/S	3915	1560	750	300	240	100

- NOTES:-
- 1) INLET / OUTLET PIPES ARE PLAIN PVCu.
 - 2) PLEASE NOTE A CLASS 1 BYPASS SEPARATOR INCLUDES A COALESCER, CLASS 2 BYPASS SEPARATORS DO NOT.
 - 3) EXTENSION NECKS FOR DEEPER INVERT CAN BE PROVIDED IN 0.5m INCREMENTS FOR ON SITE ASSEMBLY. SEE DRAWING DS0616 FOR FURTHER DETAILS.
 - 4) ALL UNITS REQUIRE APPROPRIATE COVER AND FRAME TO SUIT APPLIED LOADINGS.
 - 5) THIS DRAWING SHOULD BE USED FOR DIMENSIONAL INFORMATION ONLY. IT IS ESSENTIAL THAT THIS DRAWING IS READ IN CONJUNCTION WITH INSTALLATION GUIDELINES PD0313 (SUPPLIED WITH UNIT).
 - 6) STANDARD PIPE ORIENTATION SHOWN. FOR OTHER AVAILABLE OPTIONS SEE TDS0033.
 - 7) AN Ø82mm SOCKET CAN BE SUPPLIED AS AN OPTIONAL EXTRA TO HOUSE AN OIL ALARM PROBE. SEE DRAWINGS DS0591 & PD0323 FOR FURTHER DETAILS.

PETROL INTERCEPTOR
 SCALE 1:25



STORMTECH SW ATTENUATION PLAN
 SCALE 1:50

A	22.06.21	SW ATTENUATION REVISED	AM	PG
Rev	Date	Description	by	Chkd

Client
GERRY TEAGUE

Project Title
 PROPOSED RESIDENTIAL DEVELOPMENT AT
 BALL ALLEY HOUSE, LEIXLIP ROAD,
 LUCAN, CO. DUBLIN

Drawing Title
 SURFACE WATER
 ATTENUATION RELATED DETAILS

Architect
 CDP ARCHITECTS

Scale AS SHOWN@A1 Date JUNE 2021

Drawn AM Chkd RS

Card File: S:DRAWINGS

Client
MOLONY MILLAR
 Consulting Civil and
 Structural Engineers
 Riverbank House
 Ballyboden Road
 Rathfarnham
 Dublin 14
 Ireland
 Tel (353-1) 4930211
 Fax (353-1) 4930215
 email info@molonymillar.ie
 Web www.molonymillar.ie

Drawing Status Job Number Drawing Number Revision
 PLANNING 930-344 C05 A