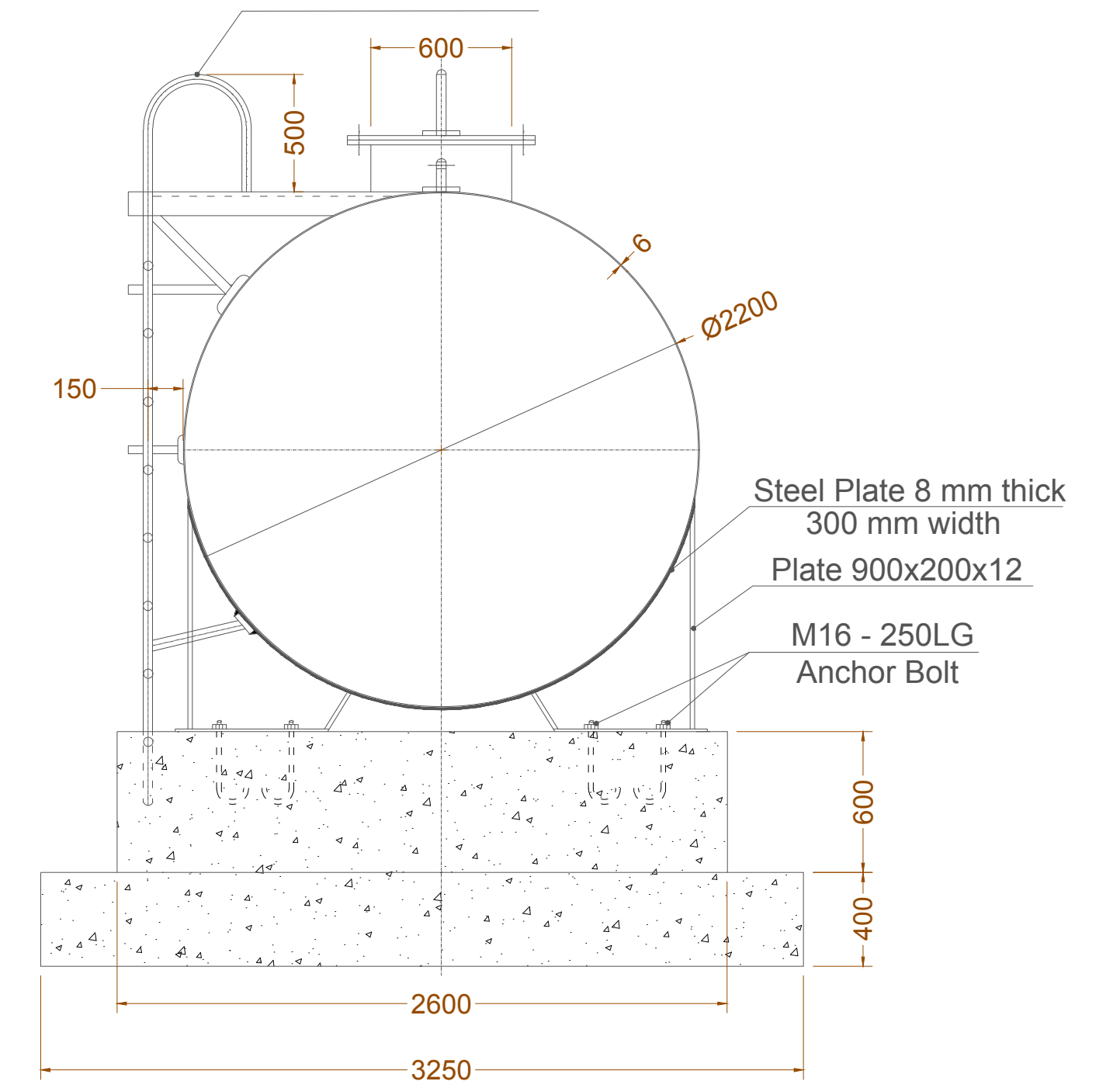
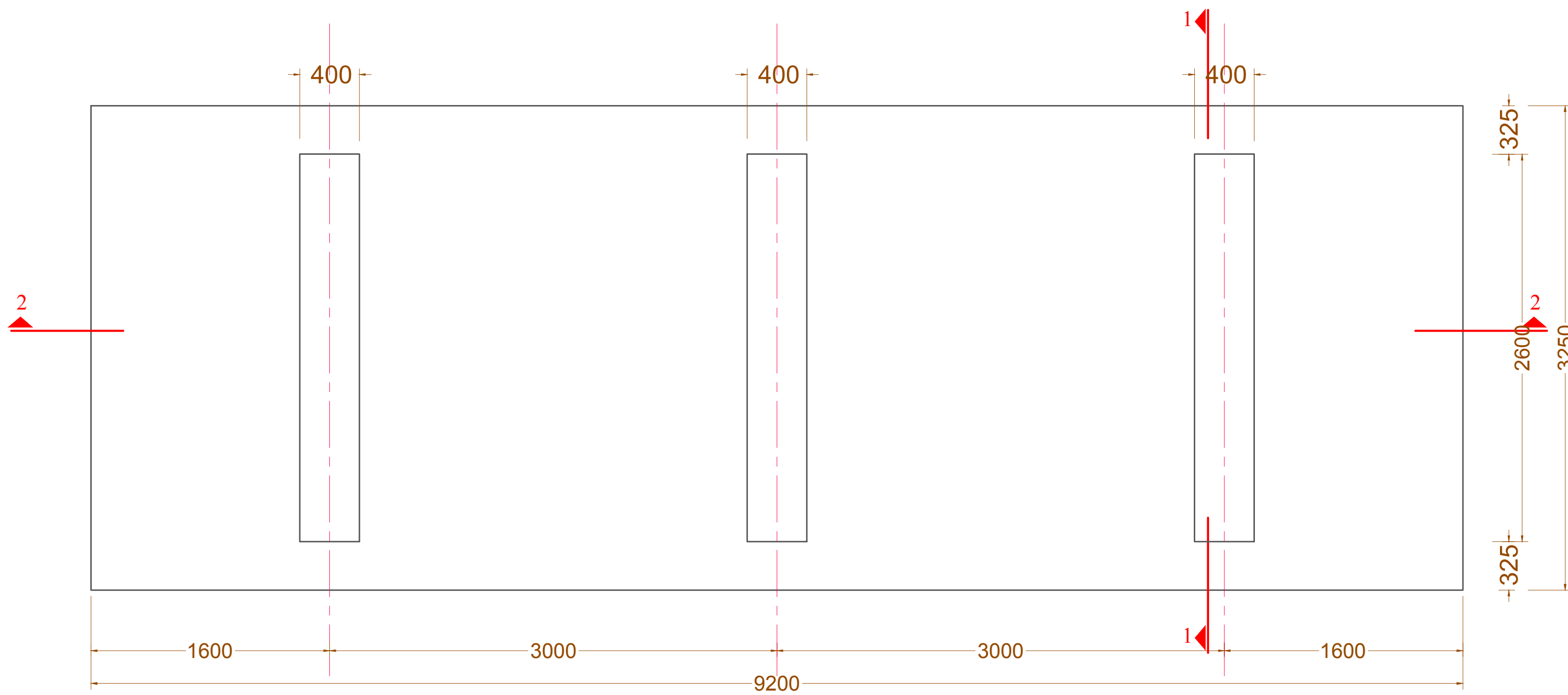


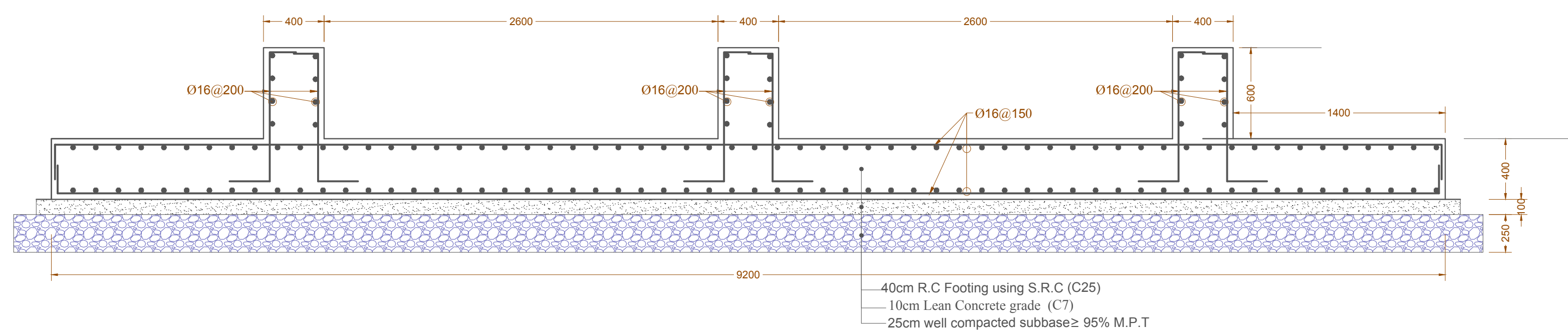
FRONT VIEW
SC. 1:20



SIDE VIEW -A-
SC. 1:20



Foundation Plan
Sc1:20.



Section 2-2
Sc1:20.

- 40cm R.C Footing using S.R.C (C25)
- 10cm Lean Concrete grade (C7)
- 25cm well compacted subbase ≥ 95% M.P.T

Rev	Date	Description	By	Chkd.
A	18.06.21	PLANNING ISSUE	MN	MMcC

Client:

Project: PROFILE PARK POWER PLANT

Title: TREATED WATER TANK TYPICAL DETAILS

Scale @ A1: 1:20

Prepared by:	Checked:	Date:
M. Nolan	M. McCarthy	June 2021
Project Director:	S. Tinnelly	
Drawing Status:	Planning	

TOBIN
CONSULTING ENGINEERS

Block 10-4, Blanchardstown Corporate Park,
Dublin 15, Ireland.
tel: +353-(0)1-8030406
fax: +353-(0)1-8030409
e-mail: dublin@tobin.ie
www.tobin.ie

TOBIN Consulting Engineers will not be liable for any use of this document for any purpose other than that for which it was originally prepared and provided. Except where specifically and explicitly agreed in writing by TOBIN Consulting Engineers, copyright in this document shall not be reproduced or transmitted in any form and this document shall not be relied upon by any third party for any purpose.

Drawing No.: 11069-2050

Revision: **A**