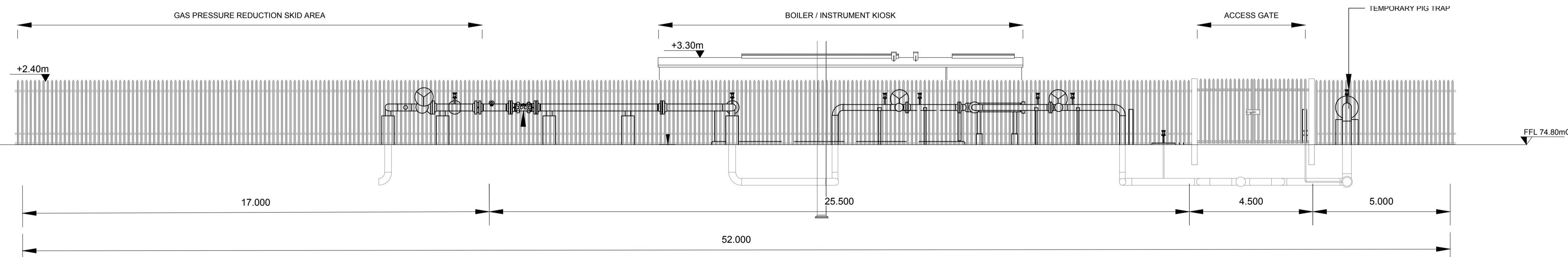
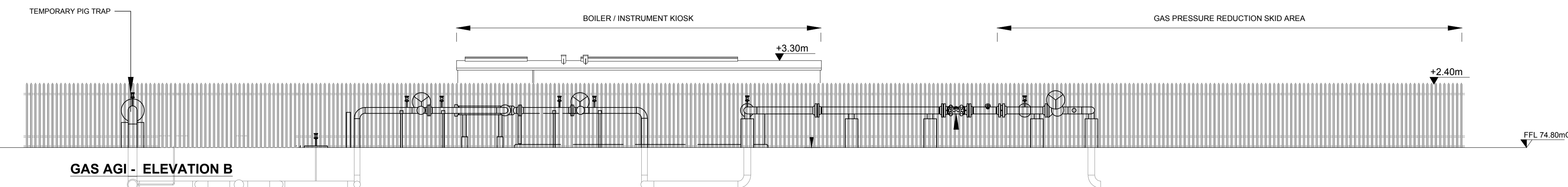


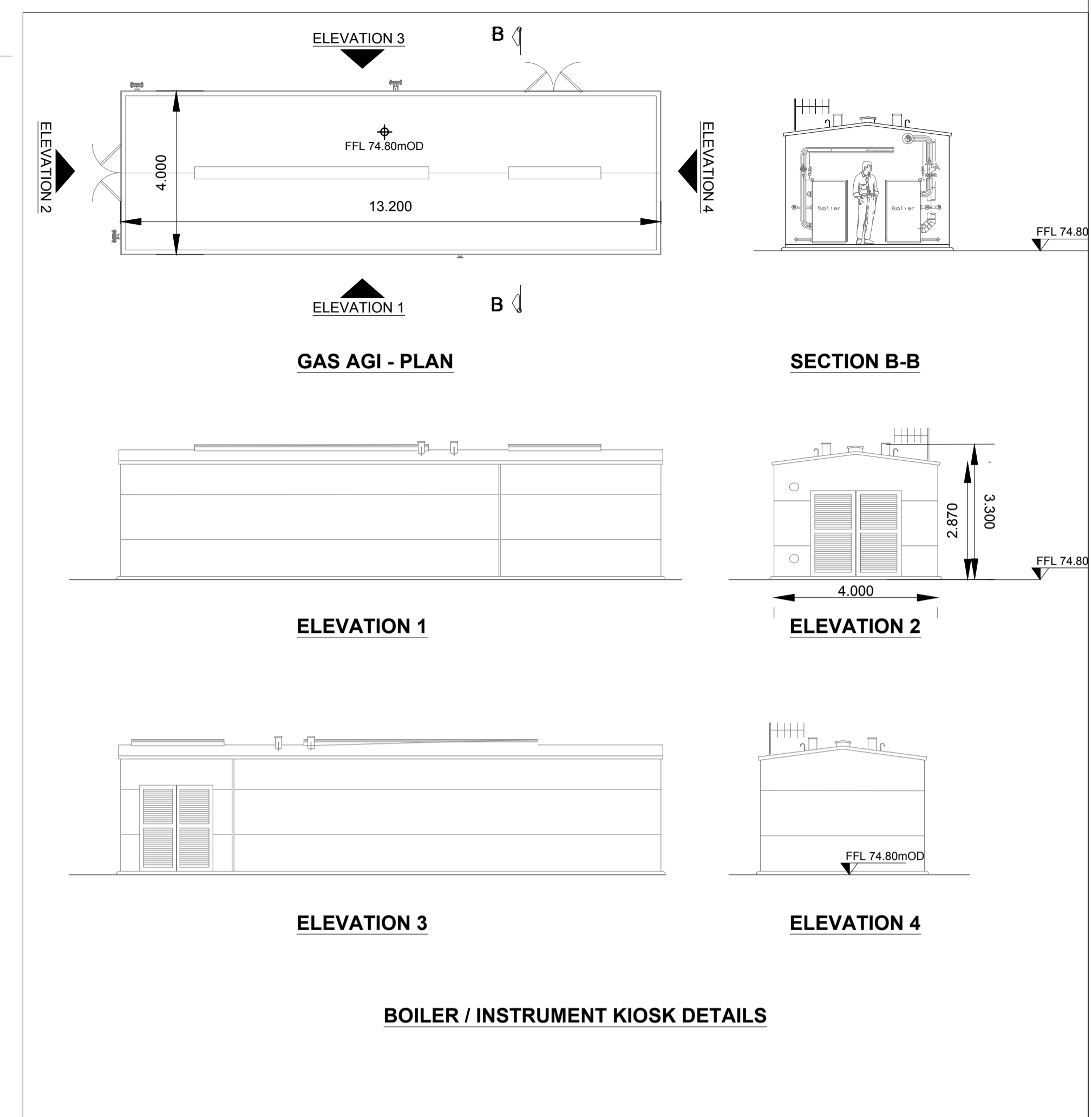
GAS AGI - PLAN



GAS AGI - ELEVATION A



GAS AGI - ELEVATION B



BOILER / INSTRUMENT KIOSK DETAILS

As agreed with South Dublin County Council in the pre-application consultation meeting the final finishes, including cladding materials and colour codes, will be agreed with the Council post planning through planning condition. Greener Ideas Limited will ensure only Council approved finishes are applied on site.

Rev	Date	Description	By	Chkd.
A	18.06.21	PLANNING ISSUE	MN	MMCC

Client:

Project: **PROFILE PARK POWER PLANT**

Title: **GAS AGI PLAN, ELEVATIONS & SECTION**

Scale @ A1: 1:100

Prepared by: M. Nolan | Checked: M. McCarthy | Date: June 2021

Project Director: S. Tinnelly

Drawing Status: Planning

TOBIN
CONSULTING ENGINEERS

Block 10-4, Blanchardstown Corporate Park,
Dublin 15, Ireland.
tel: +353-(0)1-8030406
fax: +353-(0)1-8030409
e-mail: dublin@tobin.ie
www.tobin.ie

TOBIN Consulting Engineers will not be liable for any use of this document for any purpose other than that for which it was originally prepared and approved. Except where specifically and explicitly agreed in writing by TOBIN Consulting Engineers, its copyright holder, the user of this document may not reproduce or transmit it in any form and this document shall not be relied upon by any third party for any purpose.

Drawing No.: **11069-2044** | Revision: **A**