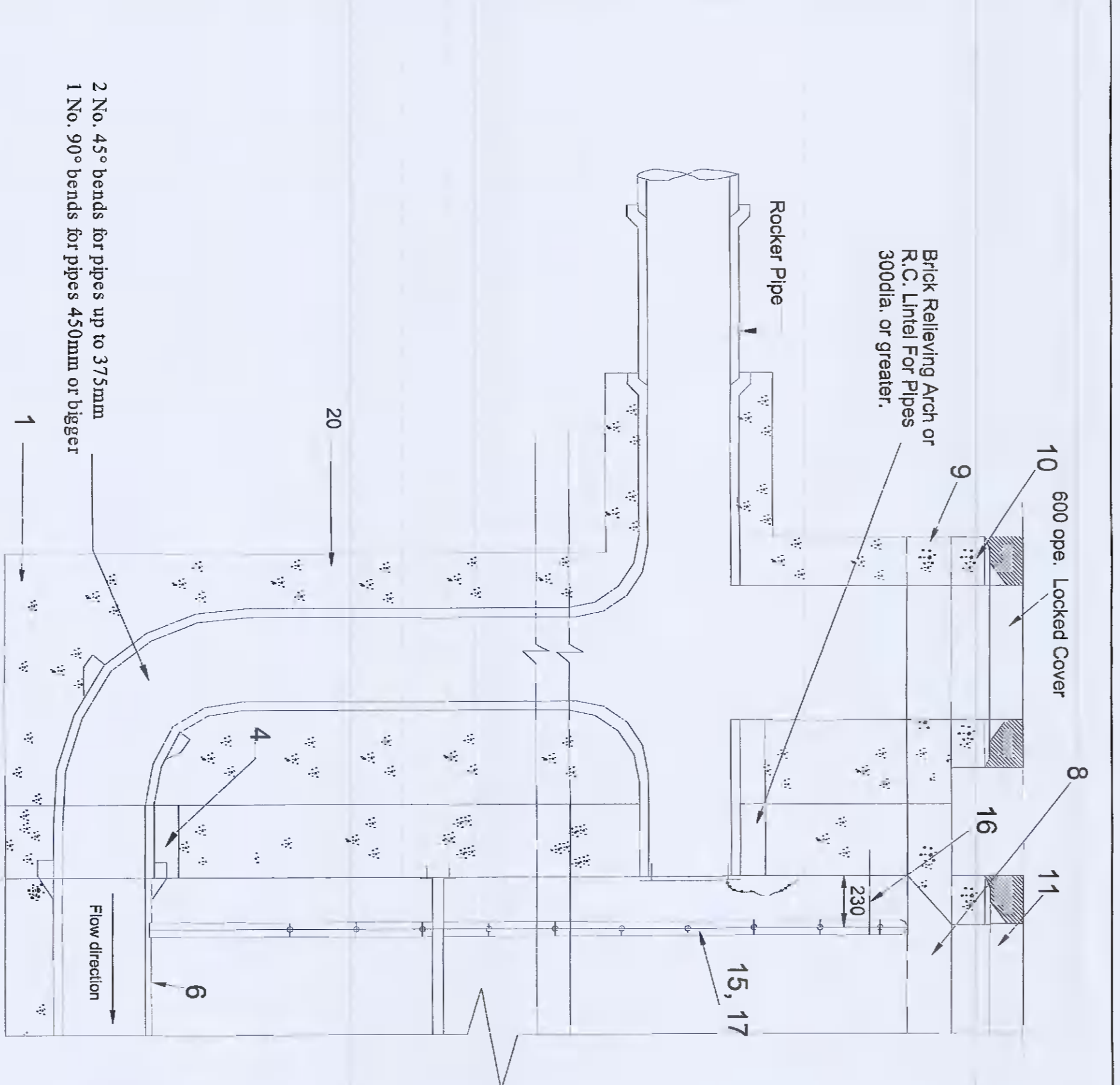


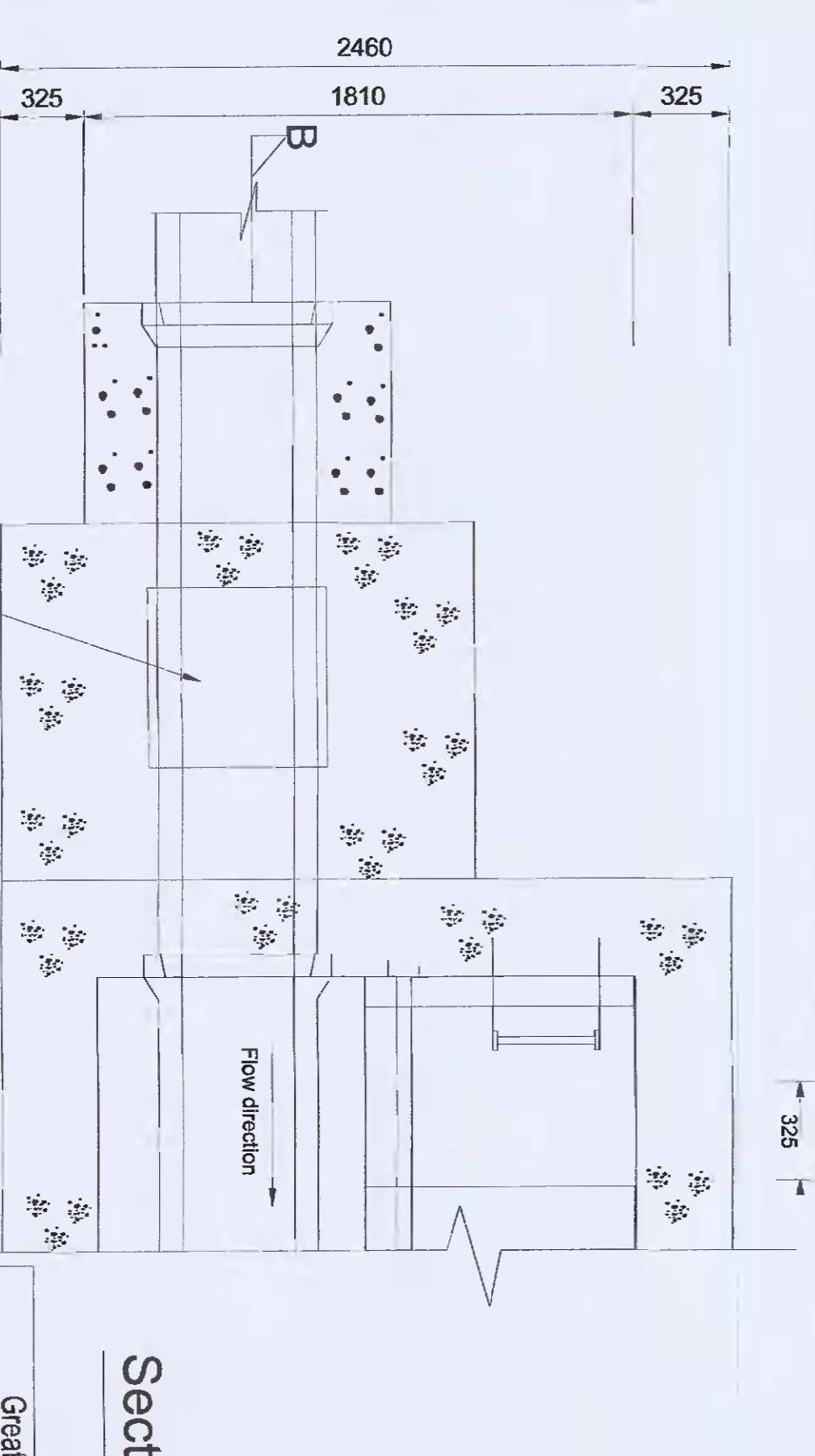
Section A-A

Manhole Details For Pipe Diam's 525, 600, 675 & 750mm
Drop to Invert 3m. to 6m.

LINE NO.	REV	DESCRIPTION	DATE
01		ISSUED FOR TENDER	2015/07/02
02		ISSUED FOR TENDER	2015/07/02
03		ISSUED FOR TENDER	2015/07/02
04		ISSUED FOR TENDER	2015/07/02



Section B-B

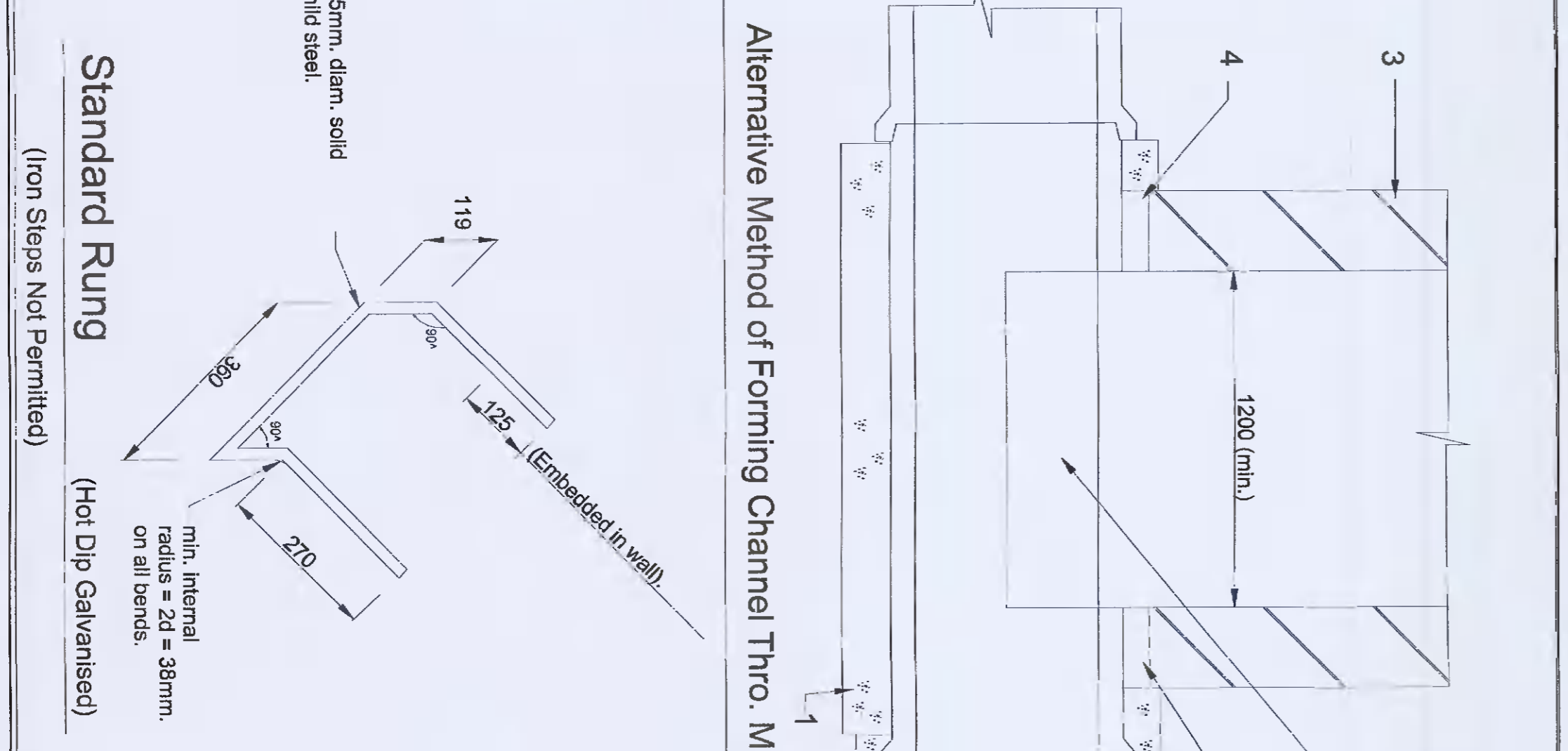


Section D-D

Backdrop Manhole Details For Pipe Diam's
225, 300, 375, 450, 525, 600, 750mm
Drop > 750mm.

Project	Greater Dublin Regional Code of Practice for Drainage Works
Client	Greater Dublin Regional Authority
Drawn	J. J. O'Connell
Checked	J. J. O'Connell
Approved	J. J. O'Connell
Date	2015/07/02

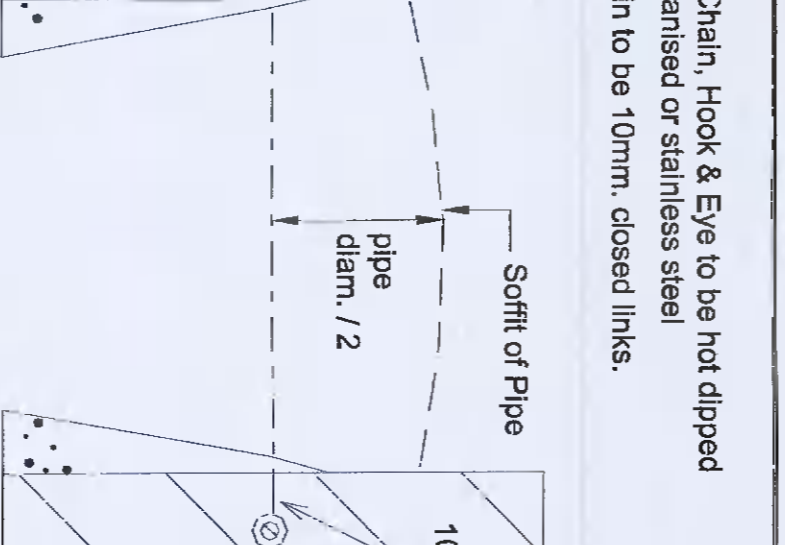
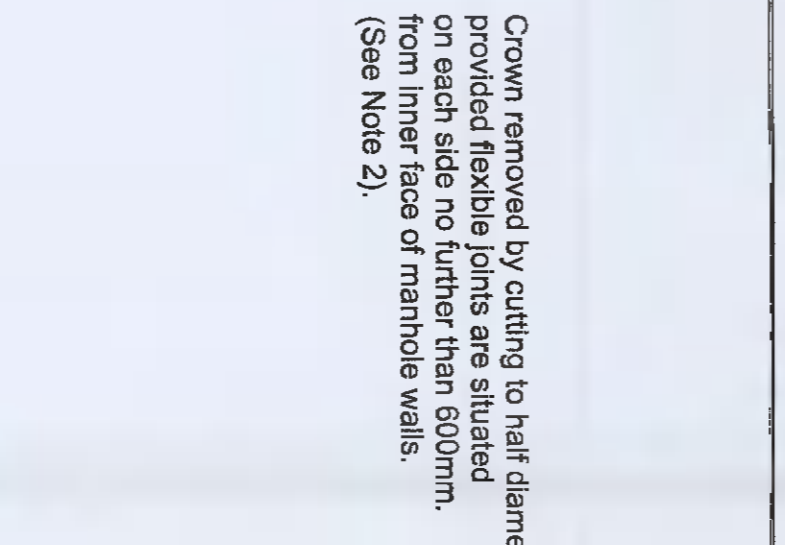
FILE NO.	10023-DRAINAGE
REV	A
DATE	2015/07/02
BY	J. J. O'Connell
CHECKED	J. J. O'Connell
APPROVED	J. J. O'Connell



Standard Rung
(Iron Steps Not Permitted)

25mm diam solid mild steel.

min. lateral 38mm on all bends.



Plan (Safety Chain, Hook & Eye)



Elevation

Plan (Safety Chain, Hook & Eye)

End of pipe

Note: Chain, hook & eye to be hot dipped galvanized or stainless steel. Chains to be 100mm closed links.

Note: Chain, hook & eye to be hot dipped galvanized or stainless steel. Chains to be 100mm closed links.

Note: Chain, hook & eye to be hot dipped galvanized or stainless steel. Chains to be 100mm closed links.

Corner removed by cutting to half diameter of manhole wall. On each side no further than 500mm. (See Note 2).

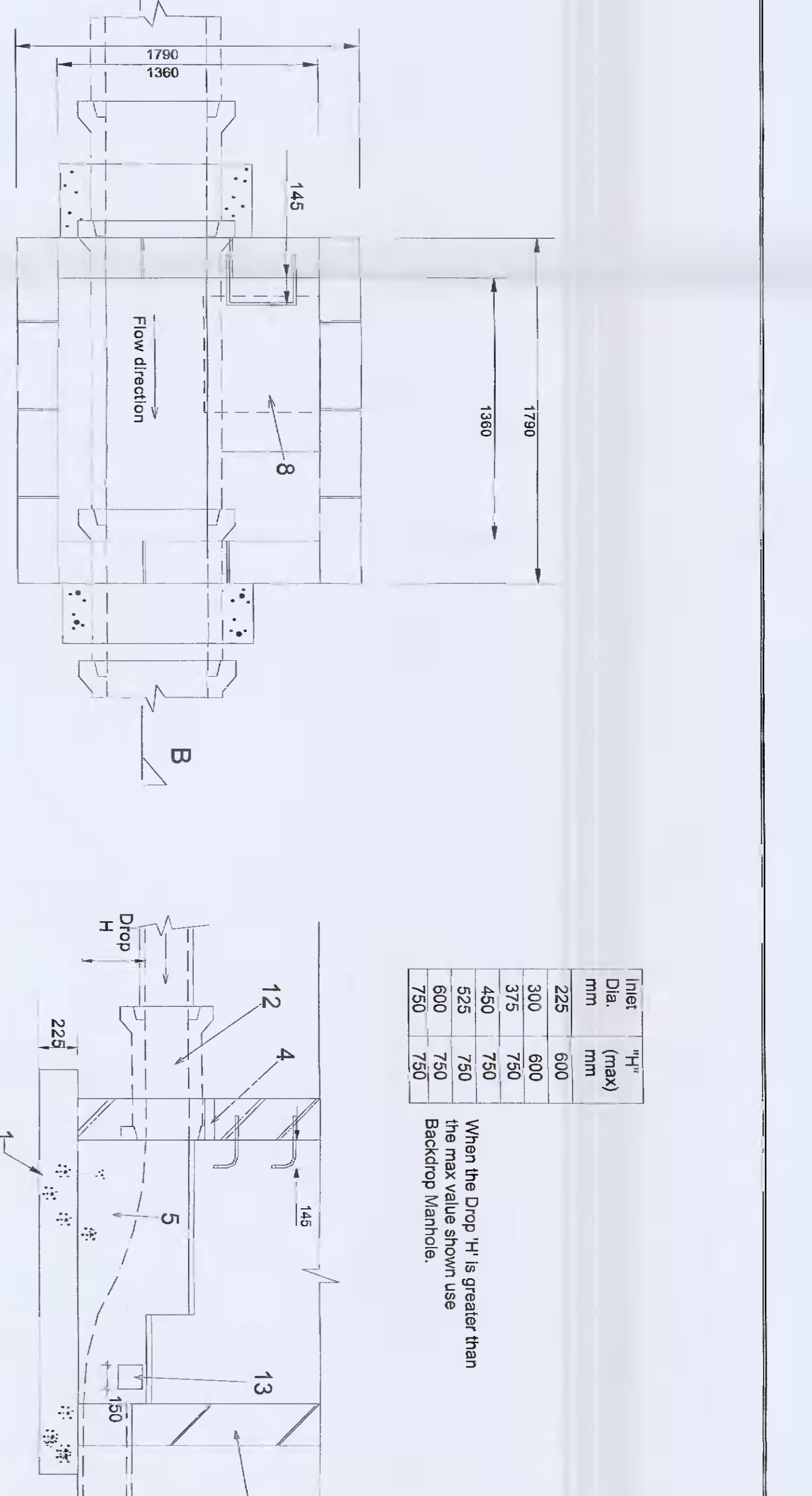
Cover removed by cutting to half diameter of manhole wall. On each side no further than 500mm. (See Note 2).

Note: Chain, hook & eye to be hot dipped galvanized or stainless steel. Chains to be 100mm closed links.

Note: Chain, hook & eye to be hot dipped galvanized or stainless steel. Chains to be 100mm closed links.

Note: Chain, hook & eye to be hot dipped galvanized or stainless steel. Chains to be 100mm closed links.

Note: Chain, hook & eye to be hot dipped galvanized or stainless steel. Chains to be 100mm closed links.



Plan

Section B-B

Ramp Manhole Details For Pipe Diam's 150, 225, 300, 375, 450, 525, 600, 750mm
Drop < 750mm

LINE NO.	REV	DESCRIPTION	DATE
01		ISSUED FOR TENDER	2015/07/02
02		ISSUED FOR TENDER	2015/07/02
03		ISSUED FOR TENDER	2015/07/02
04		ISSUED FOR TENDER	2015/07/02

Greater Dublin Regional Code of Practice for Drainage Works
STANDARD MANHOLE DETAILS

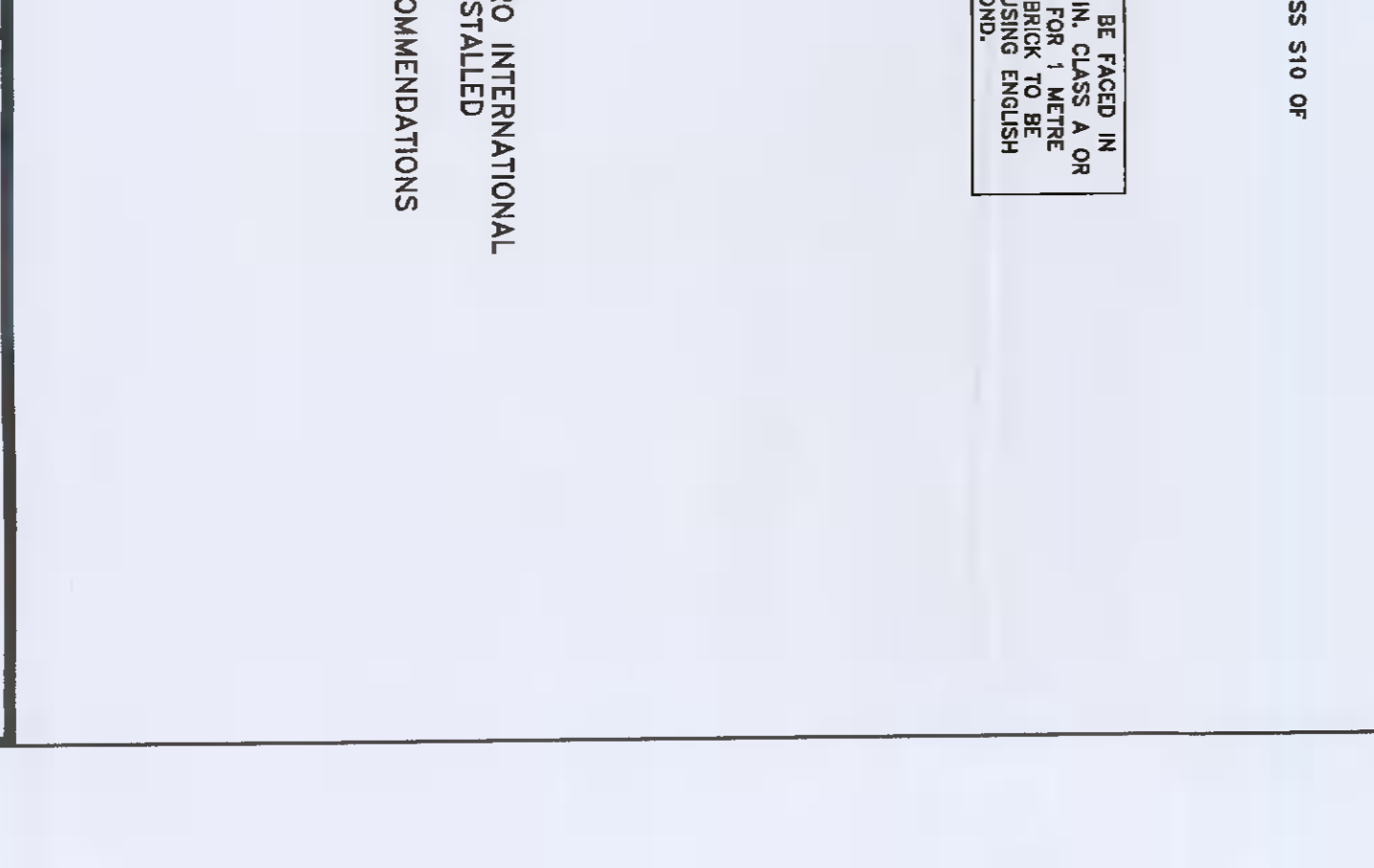
Project	Greater Dublin Regional Code of Practice for Drainage Works
Client	Greater Dublin Regional Authority
Drawn	J. J. O'Connell
Checked	J. J. O'Connell
Approved	J. J. O'Connell
Date	2015/07/02

FILE NO.	10023-DRAINAGE
REV	A
DATE	2015/07/02
BY	J. J. O'Connell
CHECKED	J. J. O'Connell
APPROVED	J. J. O'Connell

- 220mm DIA. C15/20 Concrete Footings
- Finished top of concrete pipe. The depth may, when practicable, be reduced to the cover but not to less than 200mm. Handled pipes are fabricated with a 100mm diameter hole for the flow of manhole wall.
- Manhole construction
 - For structures with a height up to 1.5m, the manhole shall be constructed in brickwork.
 - For structures with a height greater than 1.5m, the manhole shall be constructed in concrete.
 - When the drop 'H' is greater than 750mm, the manhole shall be constructed in concrete.
- When the Drop 'H' is greater than 750mm, the manhole shall be constructed in concrete.
- Standard Rung (Iron Steps Not Permitted)
- When the Drop 'H' is greater than 750mm, the manhole shall be constructed in concrete.
- When the Drop 'H' is greater than 750mm, the manhole shall be constructed in concrete.
- When the Drop 'H' is greater than 750mm, the manhole shall be constructed in concrete.
- When the Drop 'H' is greater than 750mm, the manhole shall be constructed in concrete.
- When the Drop 'H' is greater than 750mm, the manhole shall be constructed in concrete.

- For the standard footings, concrete shall be constructed to EN 1917 and BS 4320.
- Where designed by specialist, reference to the relevant 'Code of Practice' for manholes shall be made to ensure compliance with the relevant standards.
- For structures with a height up to 1.5m, the manhole shall be constructed in brickwork.
- For structures with a height greater than 1.5m, the manhole shall be constructed in concrete.
- For structures with a height greater than 1.5m, the manhole shall be constructed in concrete.
- For structures with a height greater than 1.5m, the manhole shall be constructed in concrete.
- For structures with a height greater than 1.5m, the manhole shall be constructed in concrete.
- For structures with a height greater than 1.5m, the manhole shall be constructed in concrete.
- For structures with a height greater than 1.5m, the manhole shall be constructed in concrete.
- For structures with a height greater than 1.5m, the manhole shall be constructed in concrete.

MANHOLE COVER AND FRAME TO BE CAST IN PLACE TO THE FINISHED LEVEL. ALL DIMENSIONS IN THIS DRAWING ARE TO FACE UNLESS OTHERWISE SPECIFIED.



MANHOLE COVER AND FRAME TO BE CAST IN PLACE TO THE FINISHED LEVEL. ALL DIMENSIONS IN THIS DRAWING ARE TO FACE UNLESS OTHERWISE SPECIFIED.

MANHOLE COVER AND FRAME TO BE CAST IN PLACE TO THE FINISHED LEVEL. ALL DIMENSIONS IN THIS DRAWING ARE TO FACE UNLESS OTHERWISE SPECIFIED.

MANHOLE COVER AND FRAME TO BE CAST IN PLACE TO THE FINISHED LEVEL. ALL DIMENSIONS IN THIS DRAWING ARE TO FACE UNLESS OTHERWISE SPECIFIED.

MANHOLE COVER AND FRAME TO BE CAST IN PLACE TO THE FINISHED LEVEL. ALL DIMENSIONS IN THIS DRAWING ARE TO FACE UNLESS OTHERWISE SPECIFIED.

MANHOLE COVER AND FRAME TO BE CAST IN PLACE TO THE FINISHED LEVEL. ALL DIMENSIONS IN THIS DRAWING ARE TO FACE UNLESS OTHERWISE SPECIFIED.

MANHOLE COVER AND FRAME TO BE CAST IN PLACE TO THE FINISHED LEVEL. ALL DIMENSIONS IN THIS DRAWING ARE TO FACE UNLESS OTHERWISE SPECIFIED.

MANHOLE COVER AND FRAME TO BE CAST IN PLACE TO THE FINISHED LEVEL. ALL DIMENSIONS IN THIS DRAWING ARE TO FACE UNLESS OTHERWISE SPECIFIED.

MANHOLE COVER AND FRAME TO BE CAST IN PLACE TO THE FINISHED LEVEL. ALL DIMENSIONS IN THIS DRAWING ARE TO FACE UNLESS OTHERWISE SPECIFIED.

MANHOLE COVER AND FRAME TO BE CAST IN PLACE TO THE FINISHED LEVEL. ALL DIMENSIONS IN THIS DRAWING ARE TO FACE UNLESS OTHERWISE SPECIFIED.

MANHOLE COVER AND FRAME TO BE CAST IN PLACE TO THE FINISHED LEVEL. ALL DIMENSIONS IN THIS DRAWING ARE TO FACE UNLESS OTHERWISE SPECIFIED.

MANHOLE COVER AND FRAME TO BE CAST IN PLACE TO THE FINISHED LEVEL. ALL DIMENSIONS IN THIS DRAWING ARE TO FACE UNLESS OTHERWISE SPECIFIED.