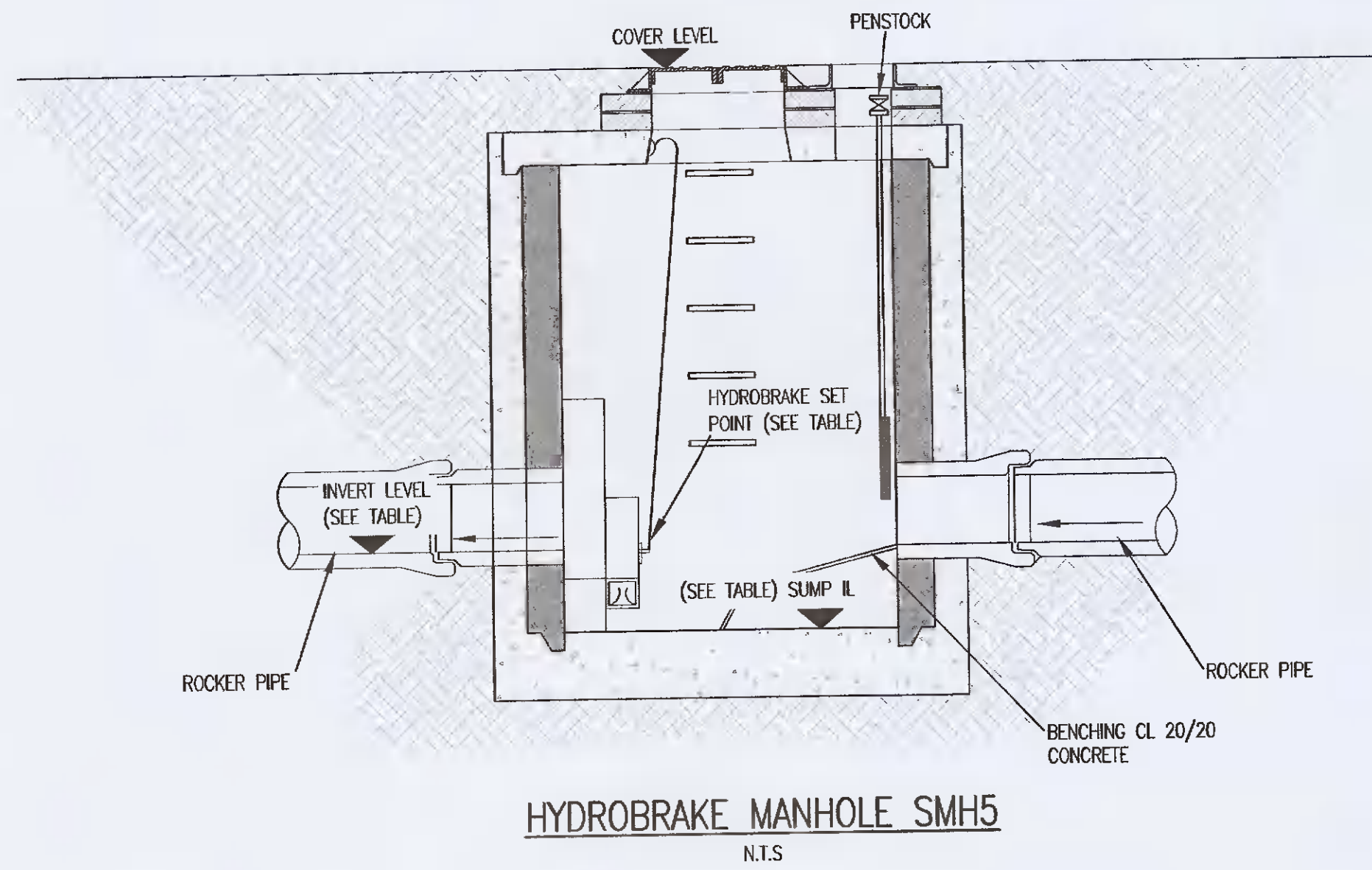
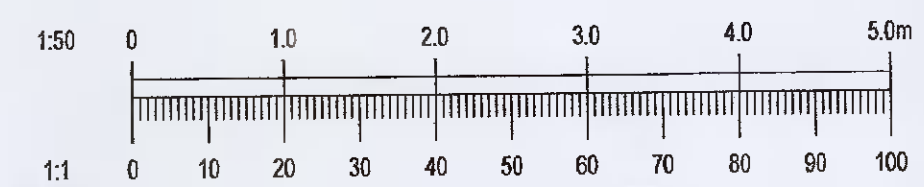
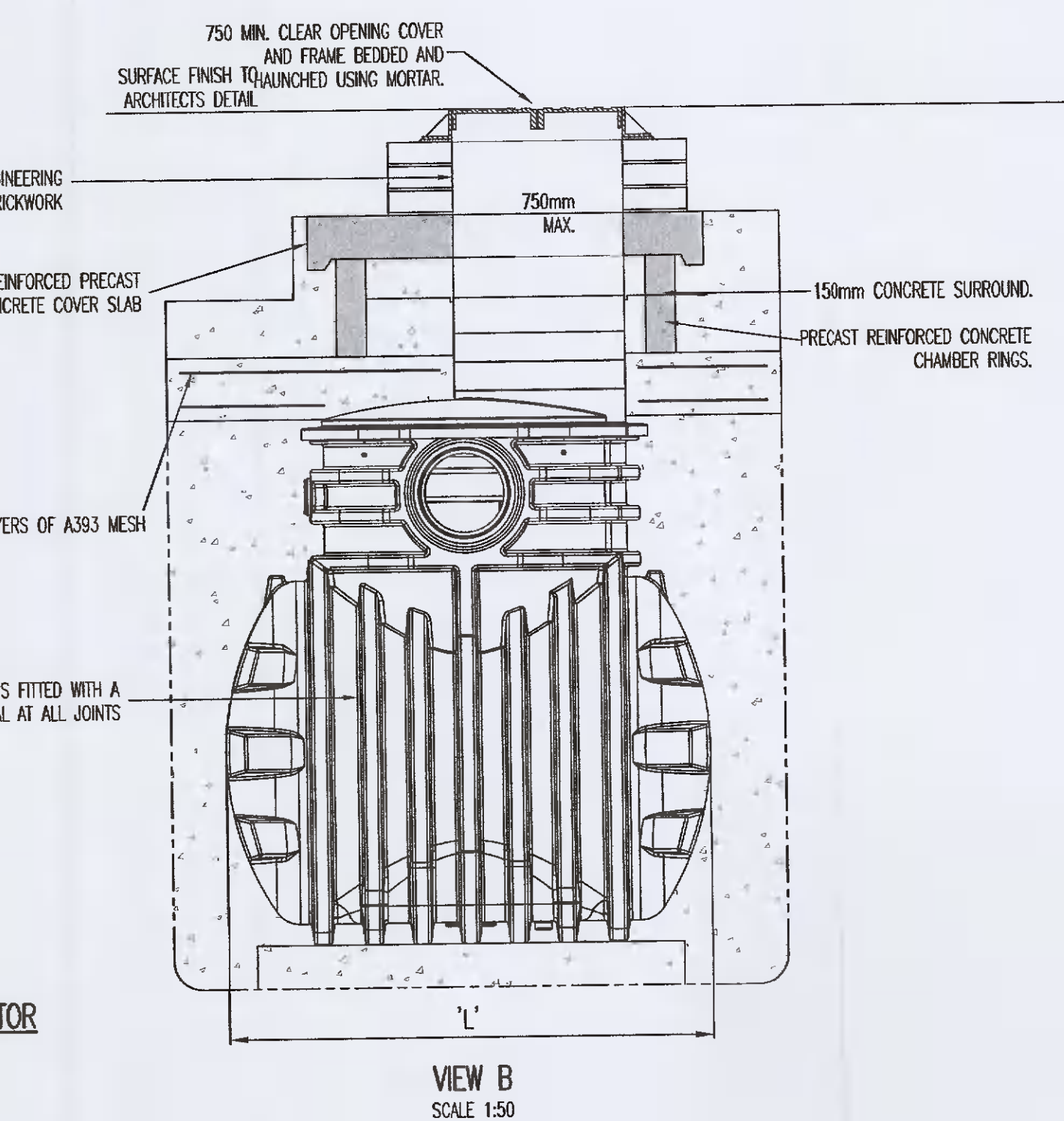
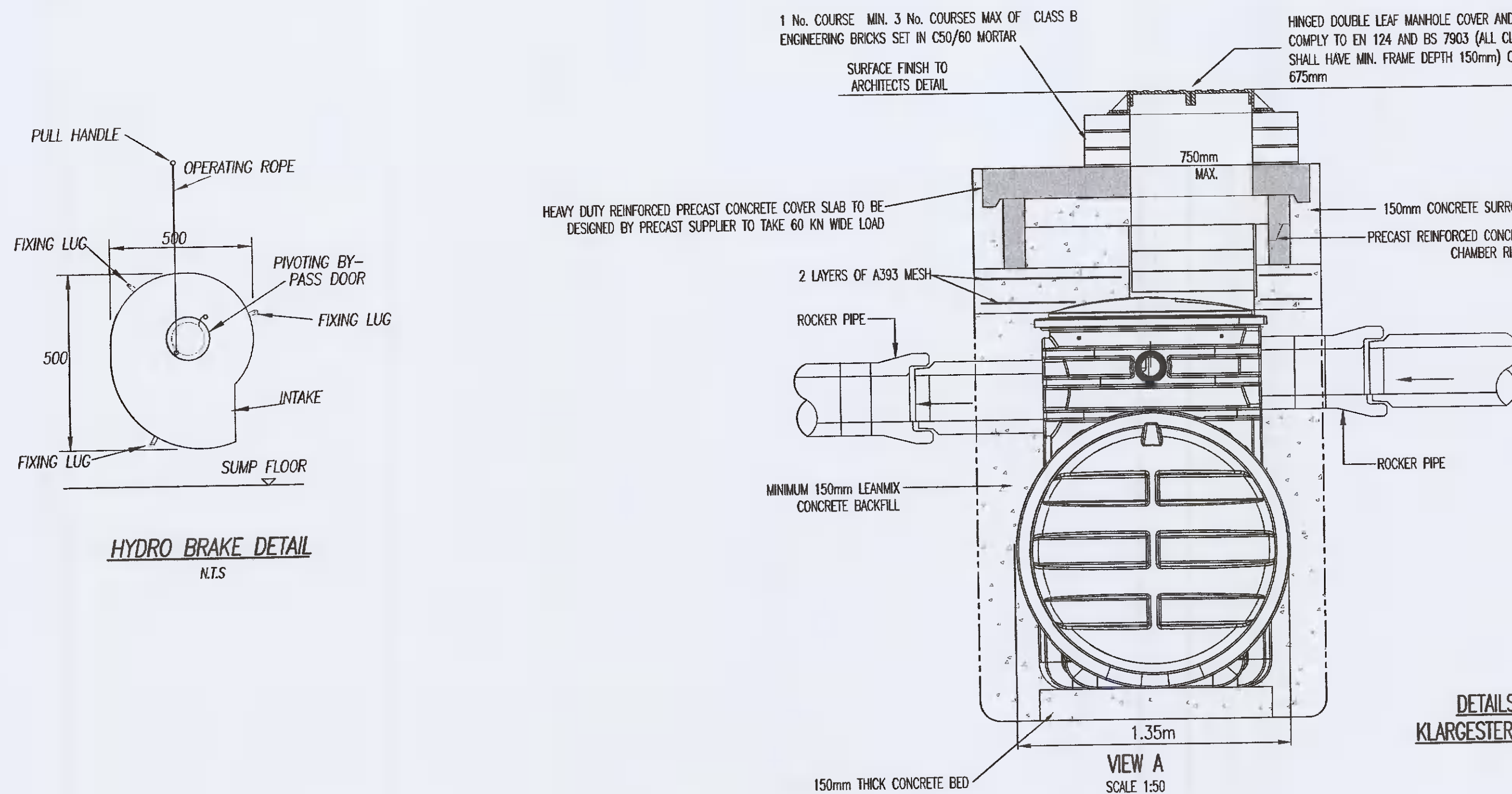
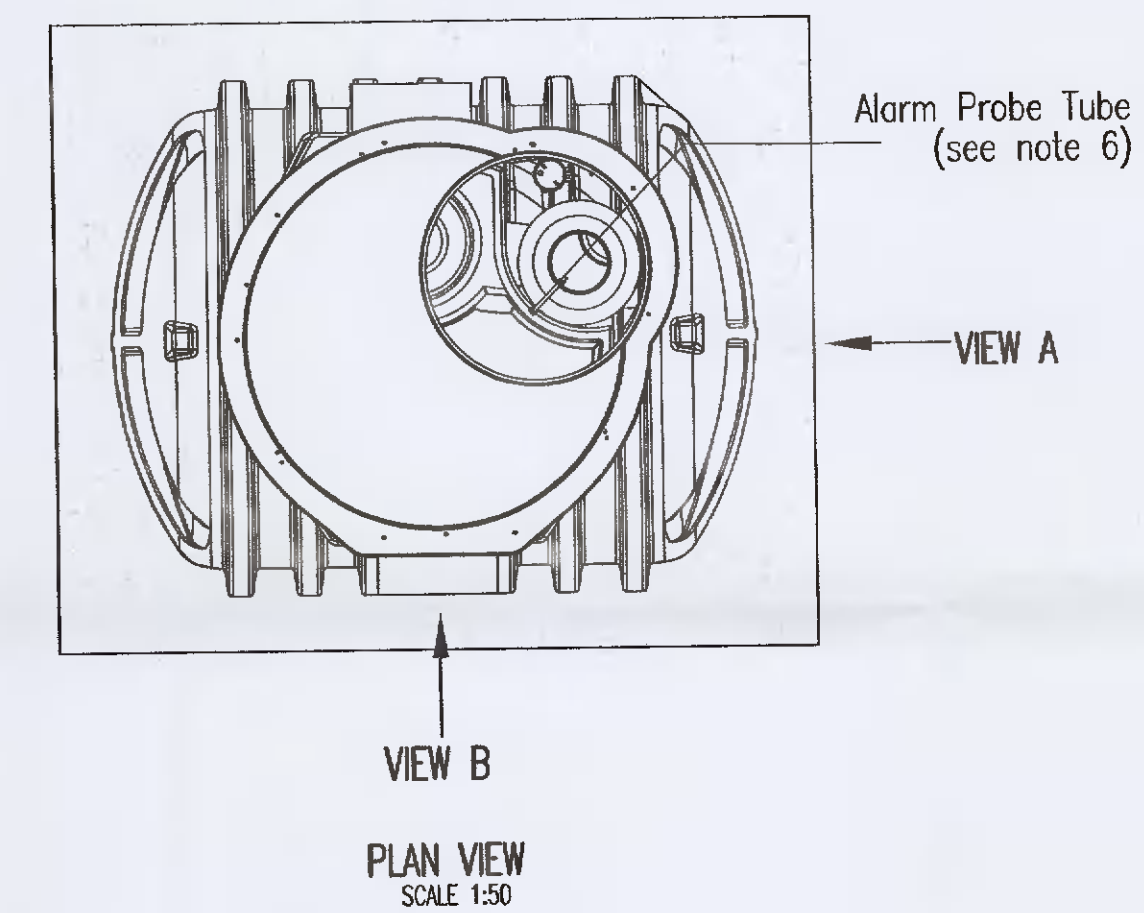


HB MANHOLE	COVER LEVEL	INVERT LEVEL	SUMP INVERT LEVEL	HB SET POINT (l/s)
SMH5	54.920	53.472	53.172	4.48



Notes:-

1. Inlet/Outlet pipes are plain pipe standard EN 858 states minimum connection sizes, units ordered with different sized connections are not fully compliant with the standard.
2. Extension necks for deeper inverts can be provided. These can be cut in 200 mm sections. Max 2.0m Invert recommended. Please ask our sales department for further details.
3. All units require appropriate cover and frame to suit applied loadings.
4. This drawing should be used for dimensional information only, it is essential that this drawing is read in conjunction with the installation guidelines from the supplier. 76 mm tube (internal) is supplied to house an oil alarm probe.
5. Wet site conditions - Concrete Backfill Dry site conditions - Pea Shingle Backfill
6. A ϕ 76 mm tube (internal) is supplied to house an oil alarm probe.



REV.	DATE	AMENDMENT	DRN	APPD

STATUS **FOR PLANNING ONLY NOT FOR CONSTRUCTION**

Waterman Moylan
Engineering Consultants

BLOCK S, EASTPOINT BUSINESS PARK, ALFIE BYRNE ROAD,
DUBLIN D03 H3F4 IRELAND
Tel: (01) 694 8900 Fax: (01) 691 3618
Email: info@waterman-moylan.ie www.waterman-moylan.ie

CLIENT DEPARTMENT OF EDUCATION

ARCHITECT REDDY ARCHITECTURE

PROJECT PROPOSED COMMUNITY COLLEGE DEVELOPMENT
AT GRIFFEN LUCAN

TITLE PETROL INTERCEPTOR &
HYDROBRAKE MANHOLE DETAIL

DRAWN	DESIGNED	APPROVED	DATE
PW	SJ	BC	APRIL 2021
SCALE	JOB NO.	DRG. NO.	REVISION
AS SHOWN@A1	19-037-21	P240	

© 2015 This drawing is copyright. No part of this document may be reproduced or transmitted in any form or stored in any retrieval system of any kind without the written permission of the copyright owner. All rights reserved. No part of this document may be used for any other project for which the document was originally issued.