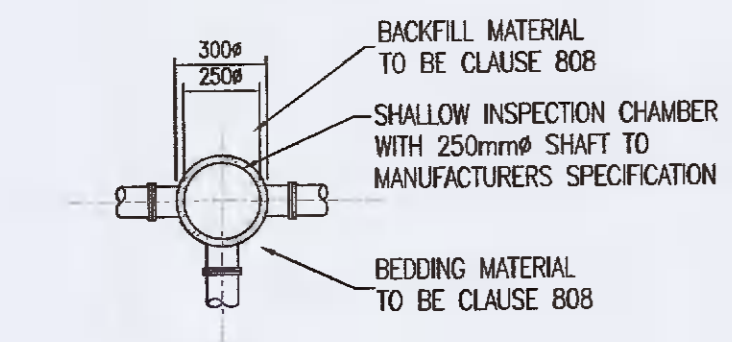
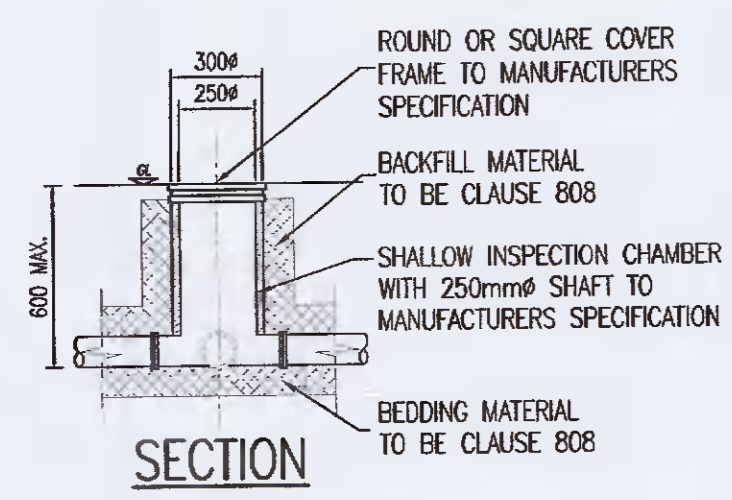
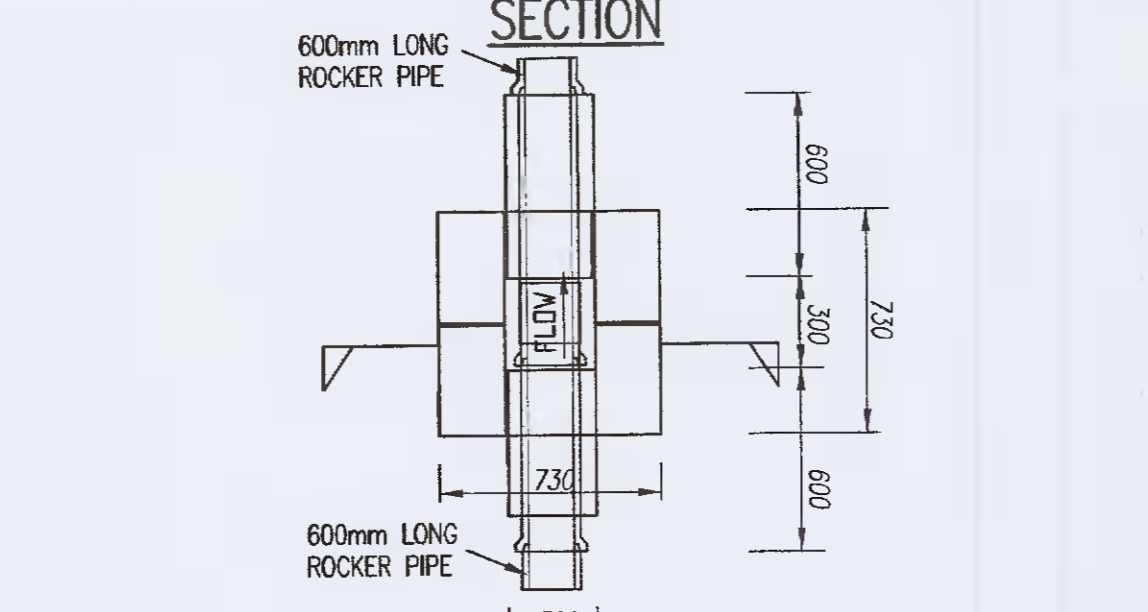
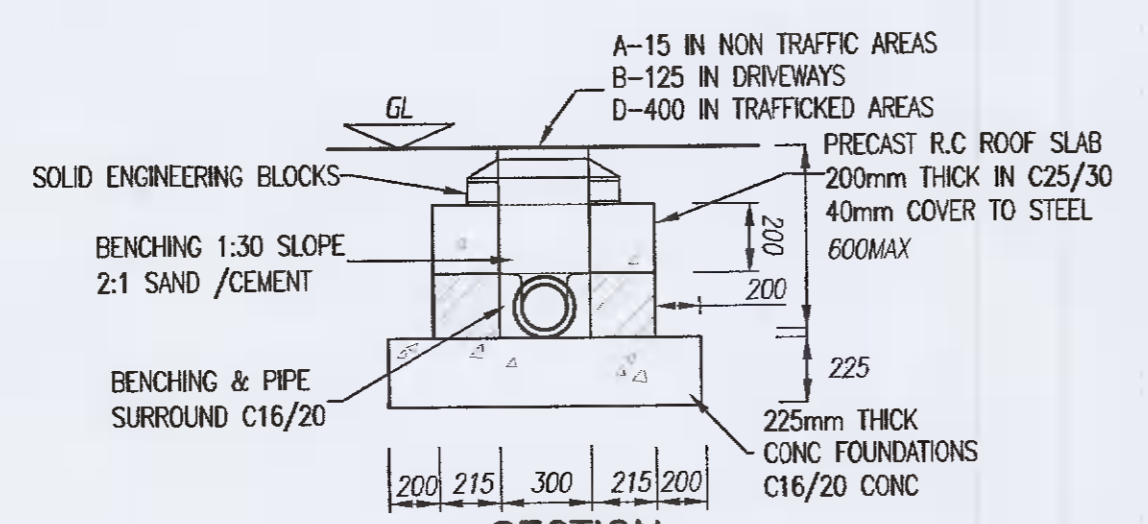


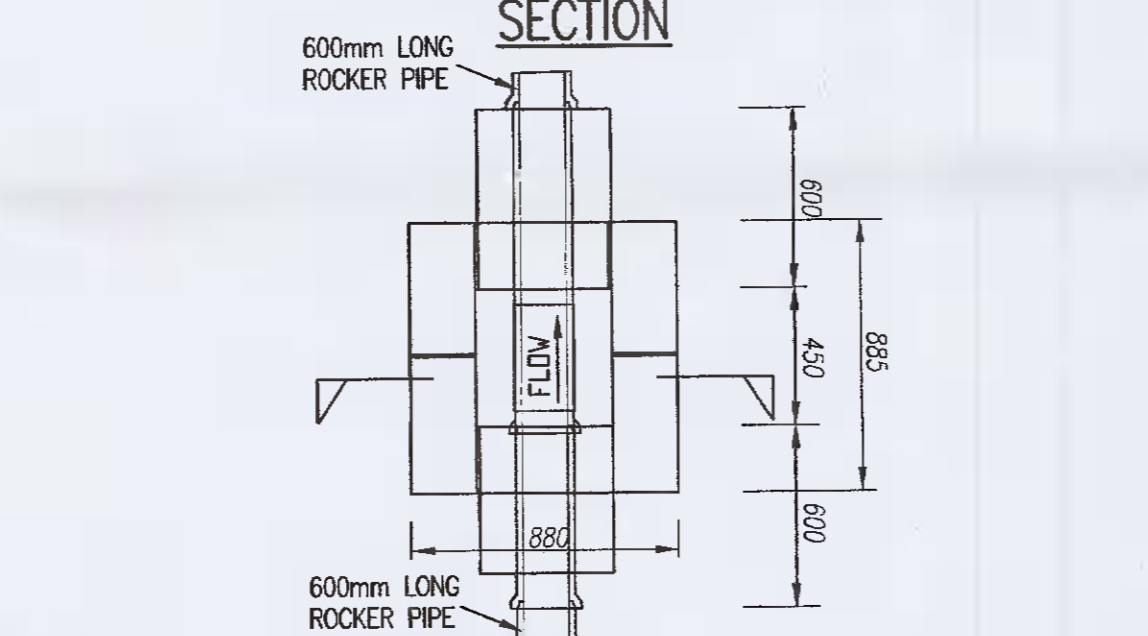
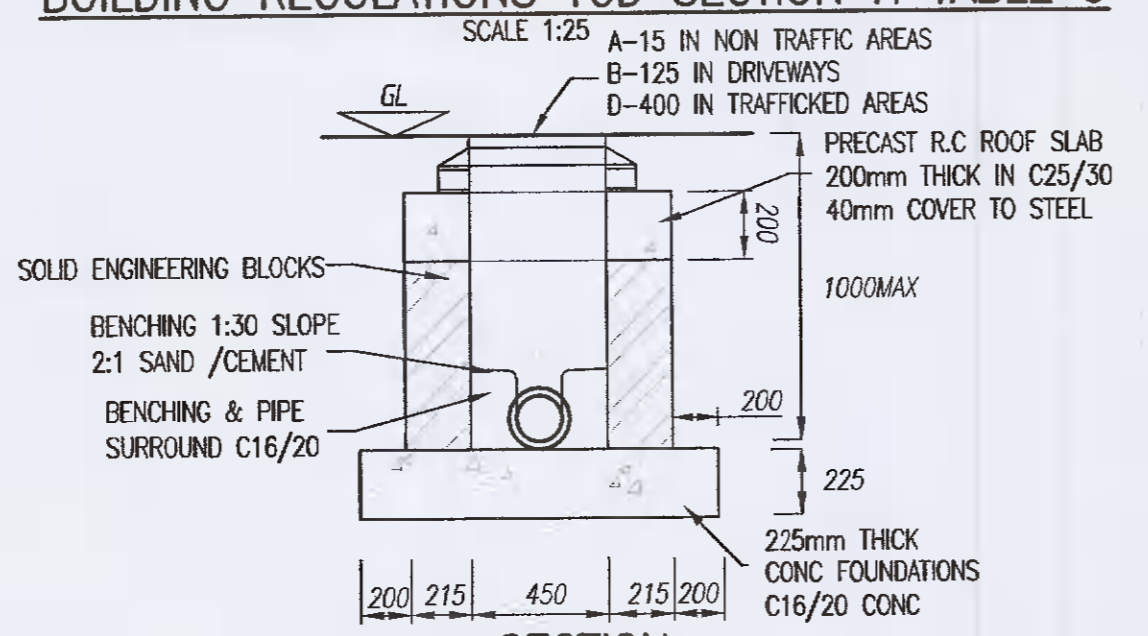
- NOTES:
- DO NOT SCALE. USE FIGURED DIMENSIONS ONLY.
 - THIS DRAWING IS TO BE READ IN CONJUNCTION WITH ALL OTHER RELEVANT ARCHITECTURAL AND ENGINEERING DRAWINGS.
 - ALL WORKS TO BE CARRIED OUT IN ACCORDANCE WITH THE REQUIREMENTS OF THE BUILDING REGULATIONS 2010 SECTION H "DRAINAGE AND WASTE WATER DISPOSAL" AND WITH LOCAL AUTHORITY REQUIREMENTS
 - ANY ALTERNATIVE DETAILS PROPOSED BY THE CONTRACTOR SHALL BE SUBMITTED TO THE ENGINEER AT LEAST 2 WEEKS PRIOR TO THE CONSTRUCTION OF THE DRAIN
 - MINIMUM SPACING OF ACCESS POINTS TO BE IN ACCORDANCE WITH BUILDING REGULATIONS TECHNICAL GUIDANCE DOCUMENT SECTION 4 TABLE 10
 - DETAILS OF MATERIALS FOR CONSTRUCTION REFER TO BUILDING REGULATIONS TECHNICAL GUIDANCE DOCUMENT SECTION 4 TABLE 11
 - BACKFILL OF ALL INSPECTION CHAMBERS TO BE 808 BACKFILL IN 200mm LAYERS
 - INSTALLATION OF PLASTIC PIPES AND FITTINGS, GULLIES, A'S ETC TO BE STRICTLY IN ACCORDANCE WITH MANUFACTURERS INSTRUCTIONS



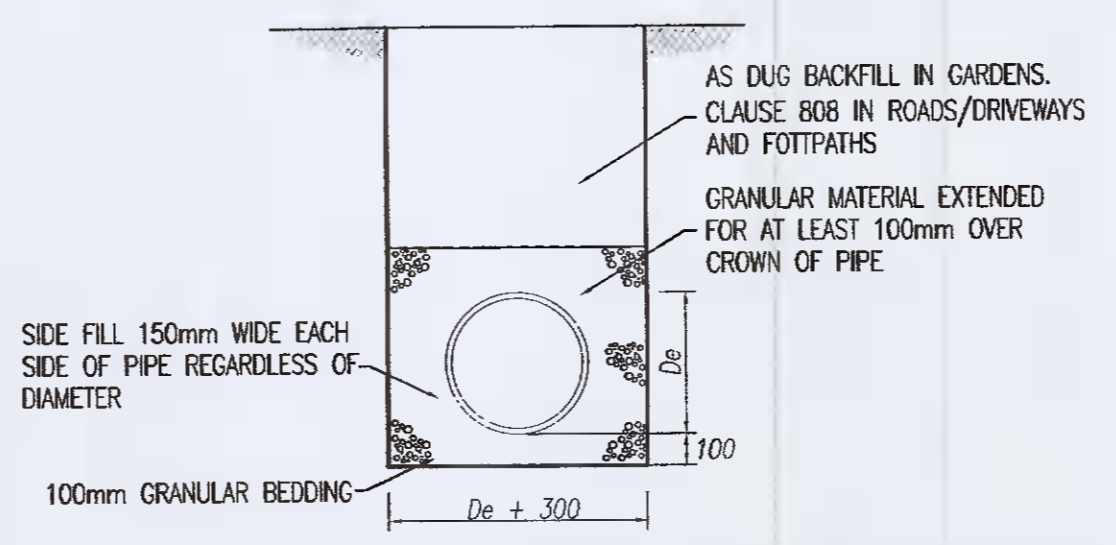
CIRCULAR INSPECTION CHAMBER WHERE INVERT IS 0.6m OR LESS BUILDING REGULATIONS TGD SECTION H TABLE 9
SCALE 1:25



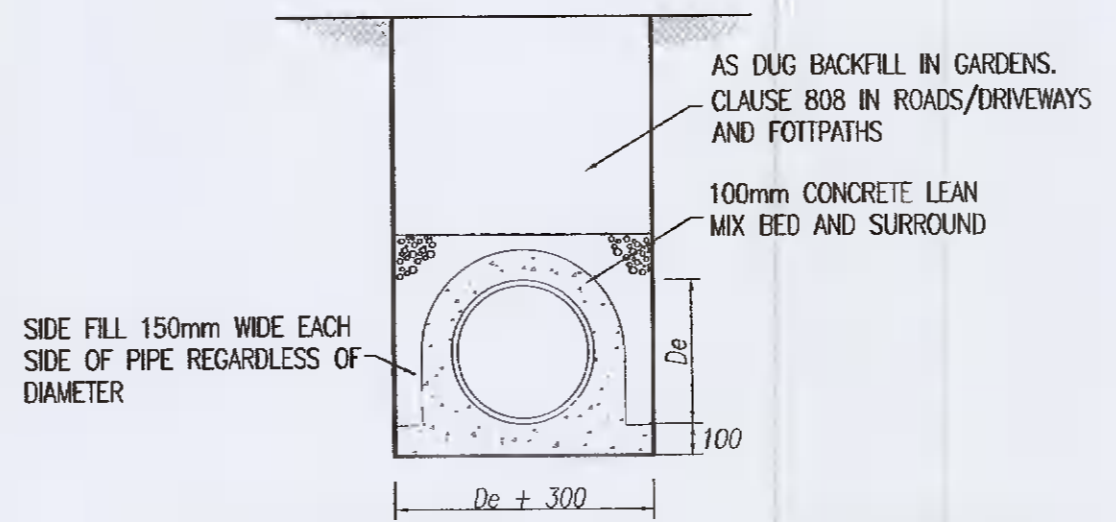
INSPECTION CHAMBER WHERE INVERT IS 0.6m OR LESS BUILDING REGULATIONS TGD SECTION H TABLE 9
SCALE 1:25



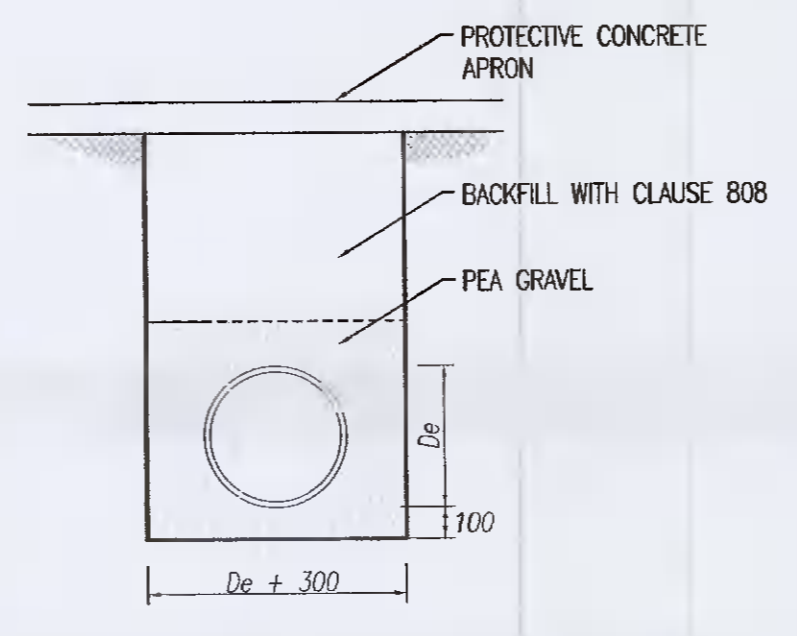
INSPECTION CHAMBER WHERE INVERT IS 1m OR LESS BUILDING REGULATIONS TGD SECTION H TABLE 9
SCALE 1:25



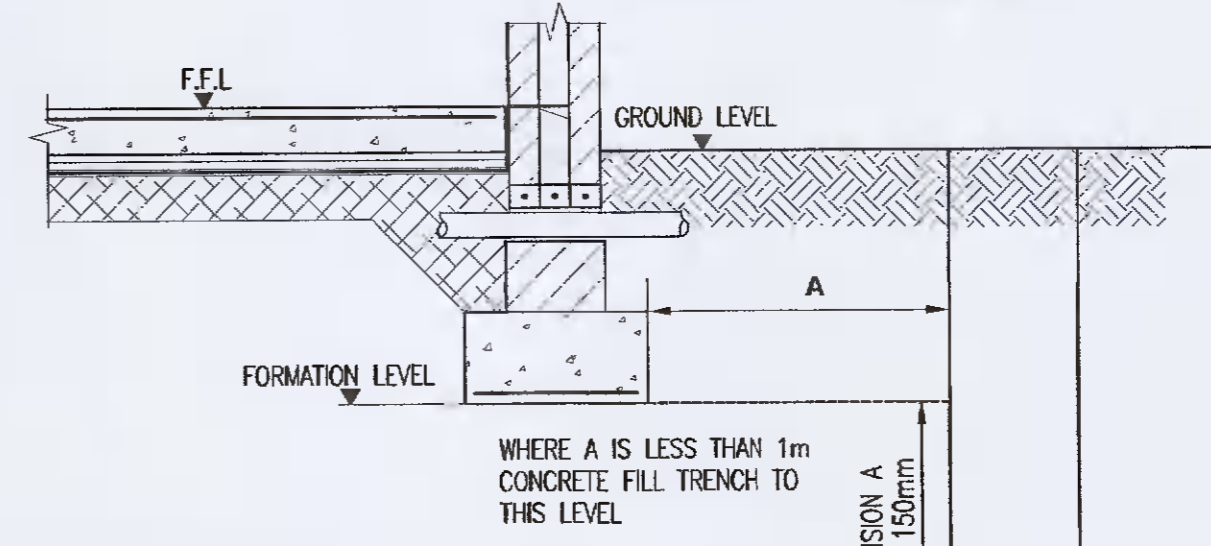
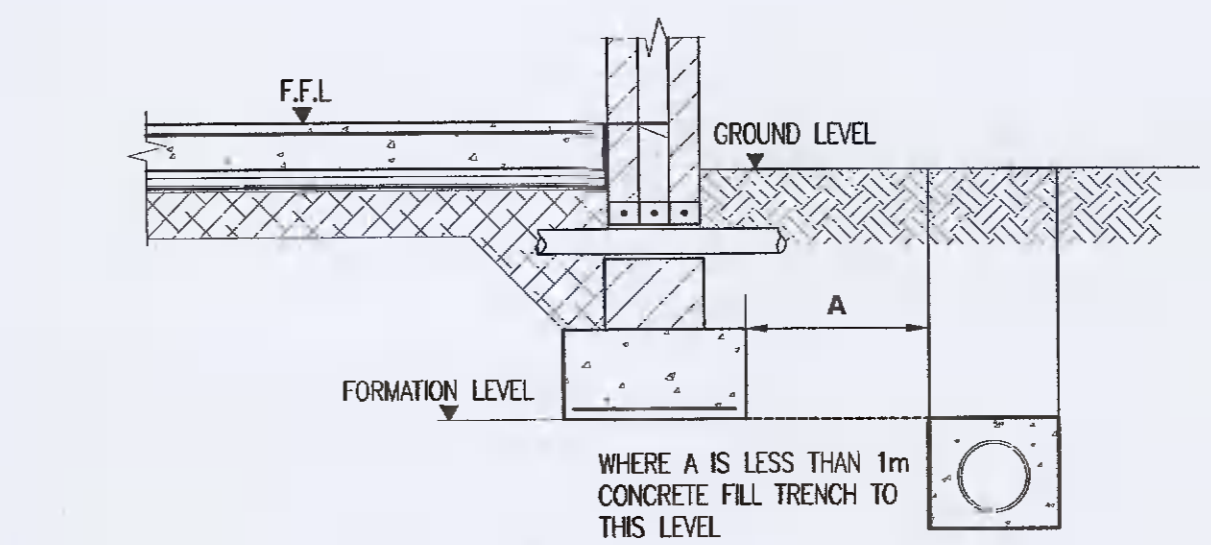
PIPES BEDDED IN GRANULAR MATERIAL COVER > 0.9m IN ROADS COVER > 0.6m IN GARDENS
SCALE 1:25



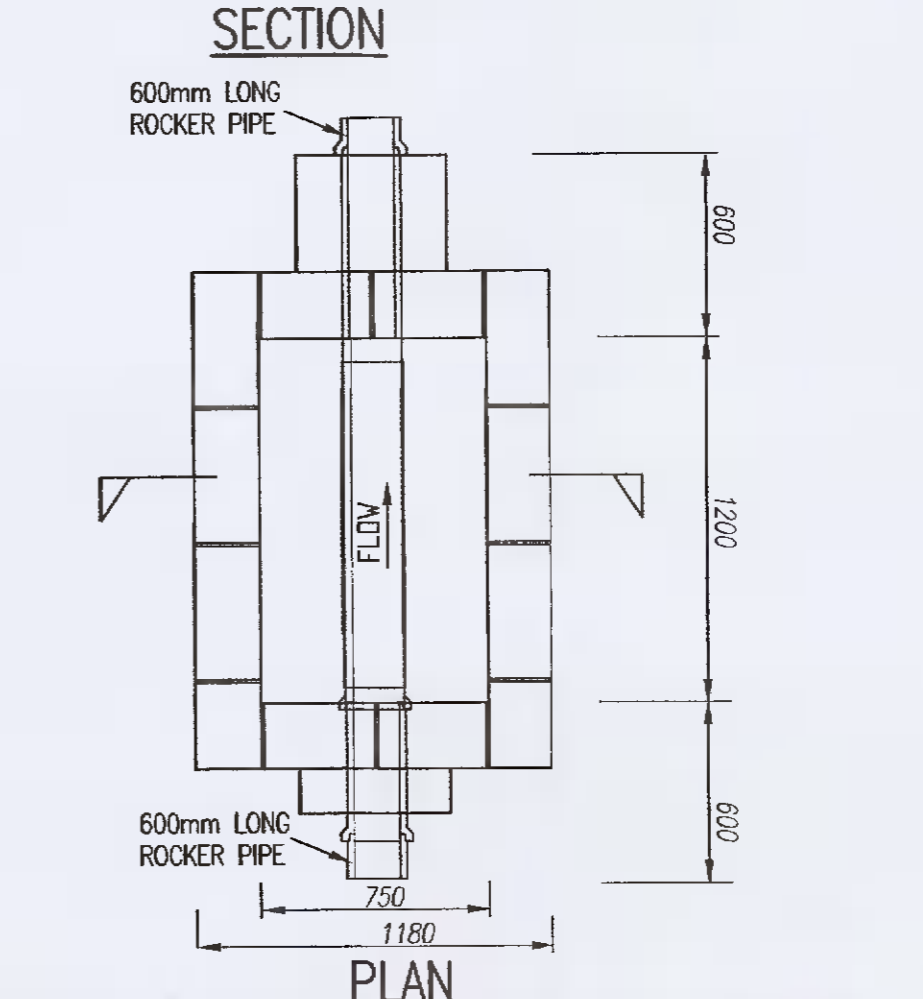
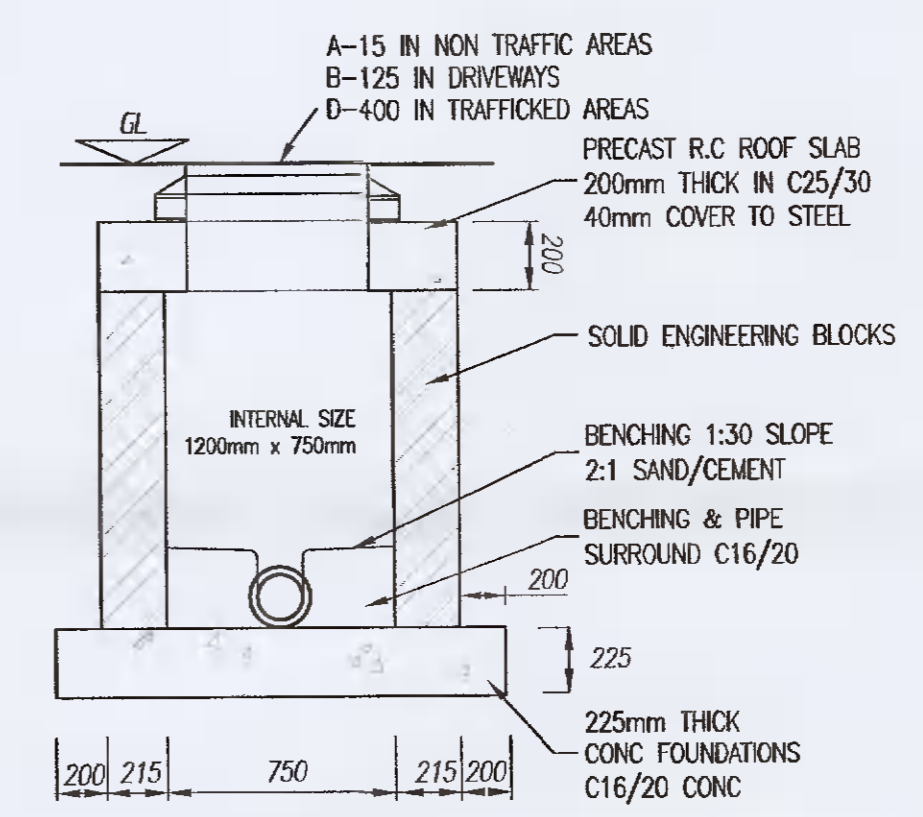
PIPES BEDDED IN GRANULAR MATERIAL COVER < 0.9m IN ROADS COVER < 0.6m IN GARDENS
SCALE 1:25



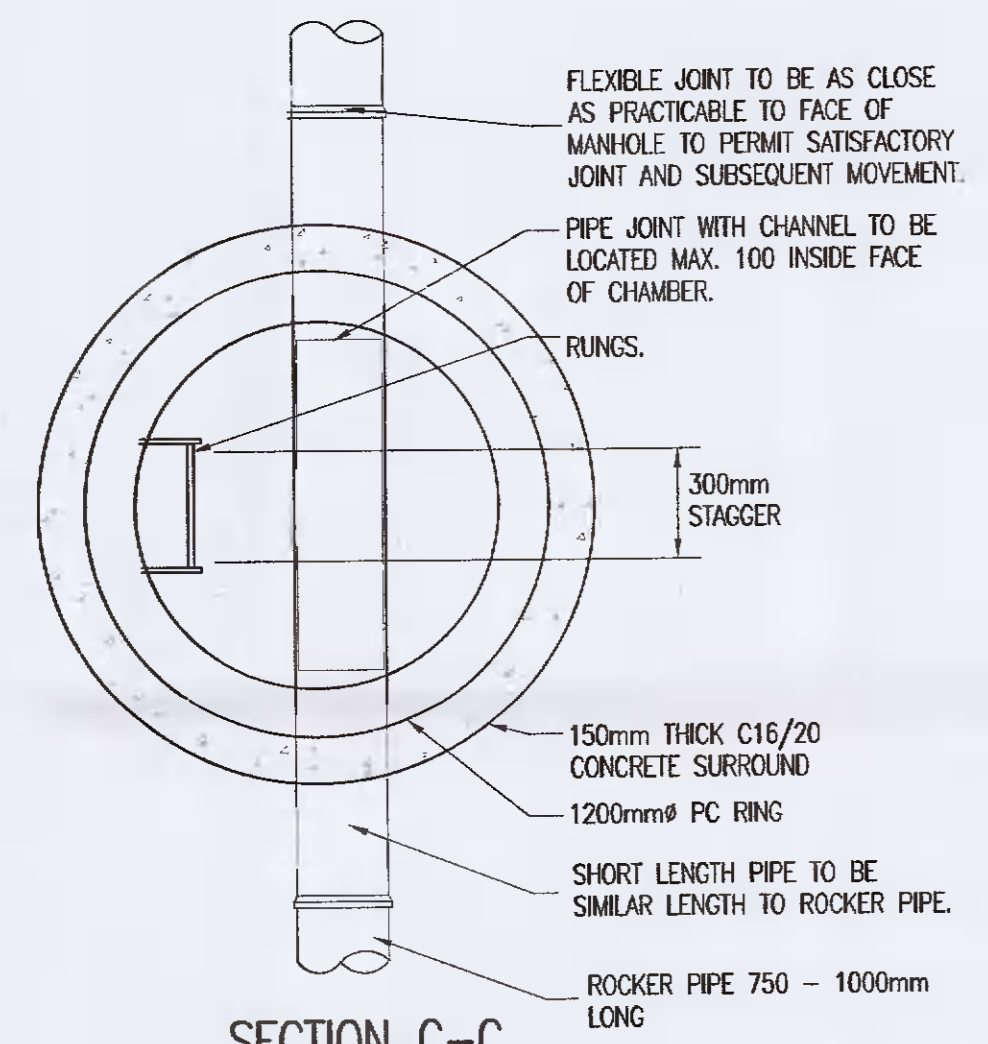
PIPES BEDDING ALTERNATIVE DETAIL COVER < 0.9m IN ROADS COVER < 0.6m IN GARDENS
SCALE 1:25



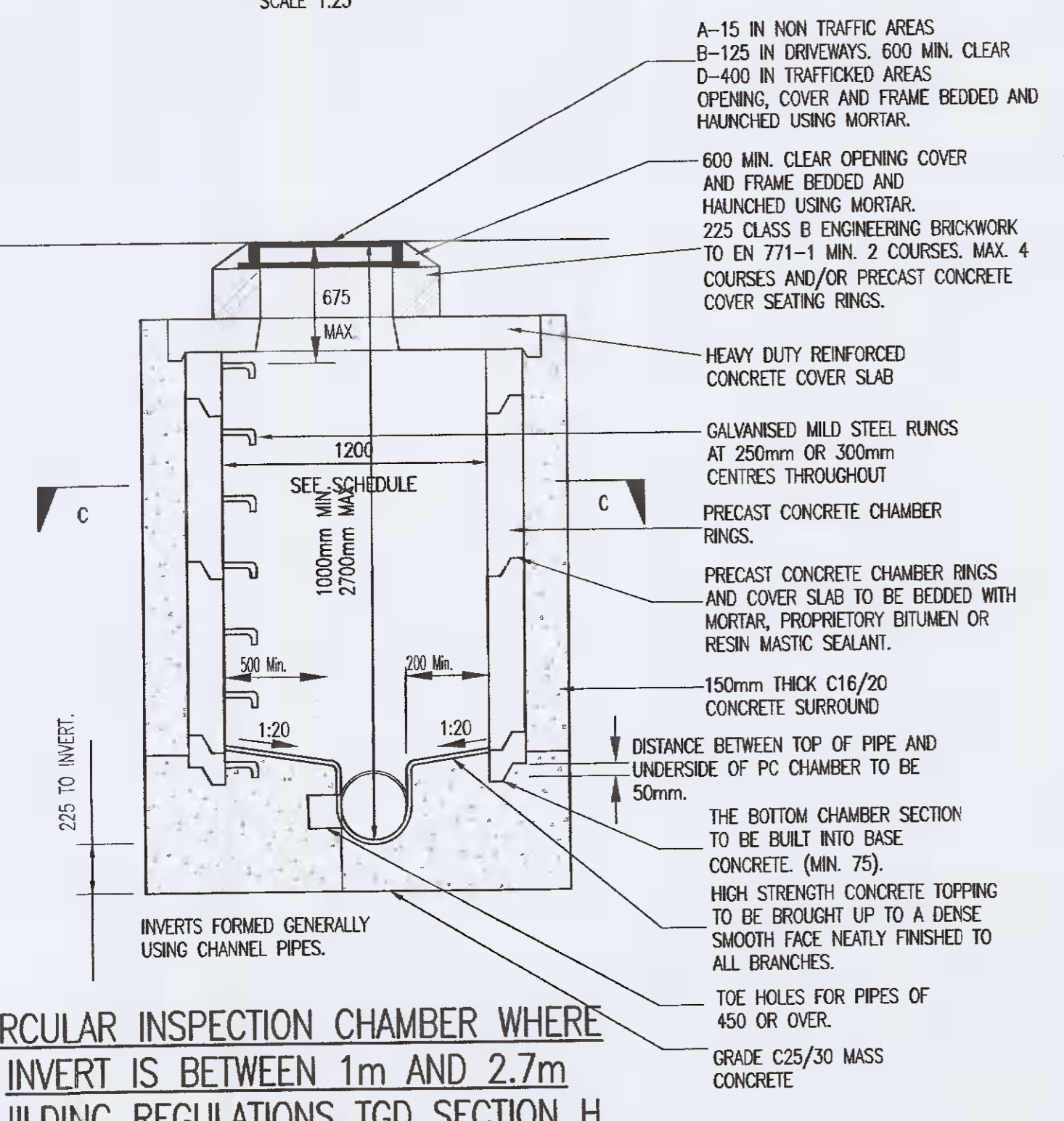
TYPICAL DETAIL WHERE PIPE RUNS NEAR BUILDINGS
SCALE 1:25



INSPECTION CHAMBER DEPTH TO INVERT IS BETWEEN 1m AND 2.7m BUILDING REGULATIONS TGD SECTION H TABLE 9
SCALE 1:25



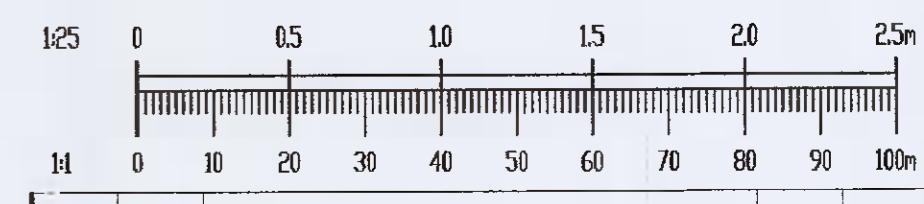
SECTION C-C
SCALE 1:25



CIRCULAR INSPECTION CHAMBER WHERE INVERT IS BETWEEN 1m AND 2.7m BUILDING REGULATIONS TGD SECTION H TABLE 9
SCALE 1:25

TABLE 9 Minimum dimensions for access fitting and chambers					
Type	Depth to (m)	Internal Sizes		Cover Sizes	
		length x width (mm x mm)	Circular (mm)	length x width (mm x mm)	Circular (mm)
Rodding eye					
Access Fitting	small	150 x 100	150	150 x 100	150
	large	300 x 100	-	300 x 100	-
Inspection Chamber	0.6 or less	300 x 300	190*	300 x 300	190*
	1.0 or less	450 x 450	450	450 x 450	450**
	over 1.5	1200 x 750	1200	600 x 600	600
Manhole	over 1.5	1200 x 750	1200	600 x 600	600
	over 2.7	1200 x 840	1200	600 x 600	600
Shaft	over 2.7	900 x 840	900	600 x 600	600

Note:
* For clayware or plastics may be reduced to 430mm in order to provide support for cover and frame
** Drains up to 150mm



REV.	DATE	AMENDMENT	DRN	APPD

STATUS **FOR PLANNING ONLY NOT FOR CONSTRUCTION**

Waterman Moylan
Engineering Consultants
BLOCK 5, EASTPOINT BUSINESS PARK, ALFIE BYRNE ROAD, DUBLIN D03 H9F4 IRELAND.
Tel: (01) 664 8900 Fax: (01) 661 3618
Email: info@waterman-moylan.ie www.waterman-moylan.ie

CLIENT DEPARTMENT OF EDUCATION
ARCHITECT REDDY ARCHITECTURE

PROJECT PROPOSED COMMUNITY COLLEGE DEVELOPMENT AT GRIFFEEN LUCAN

TITLE PRIVATE SURFACE WATER DRAINAGE DETAILS

DRAWN	DESIGNED	APPROVED	DATE
PW	SJ	BG	APRIL 2021
SCALE	JOB NO.	DRG. NO.	REVISION
AS SHOWN@A1	19-037-21	P202	