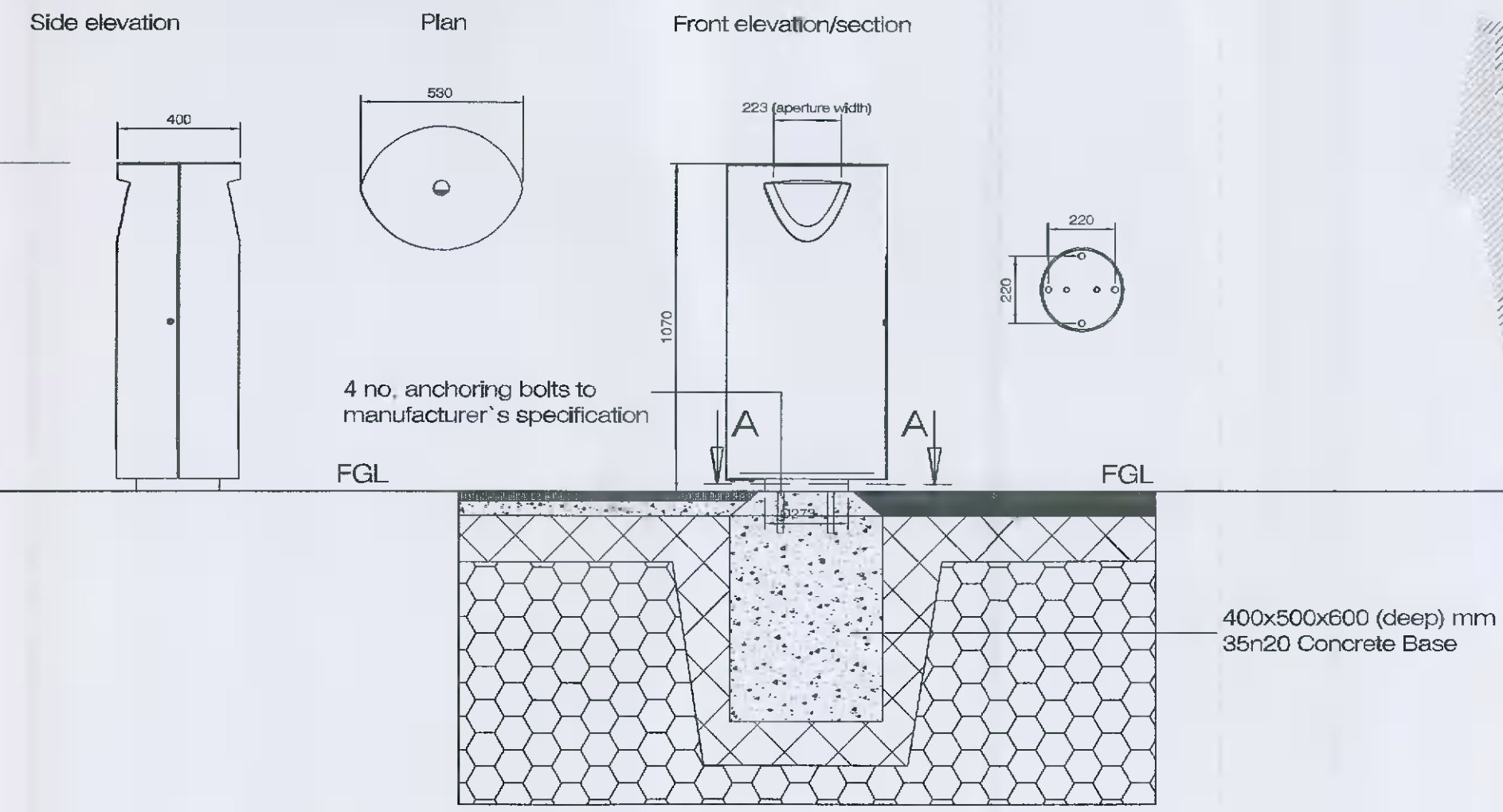
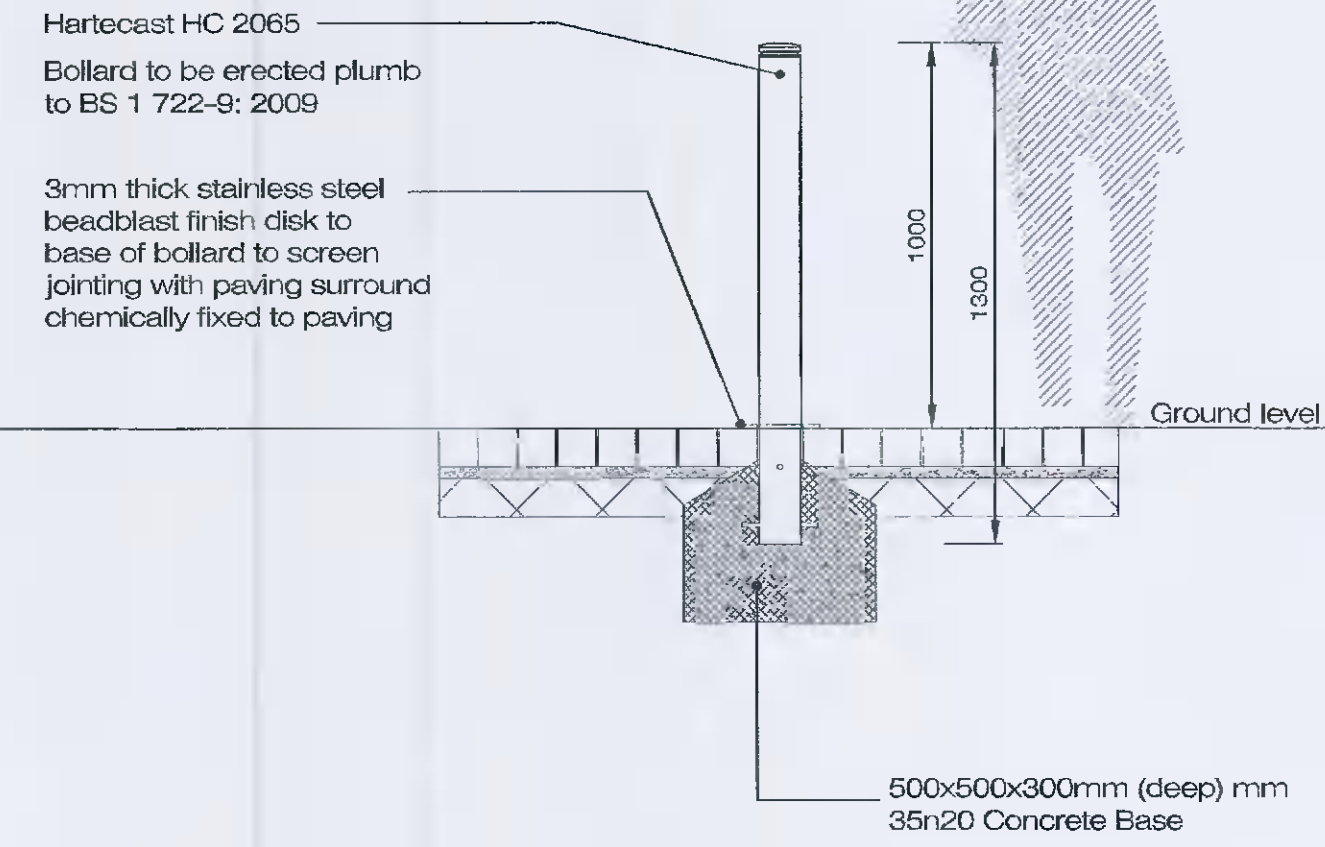


Note  
OMOS s11.3 Stainless steel litter bin . (Or similar approved)

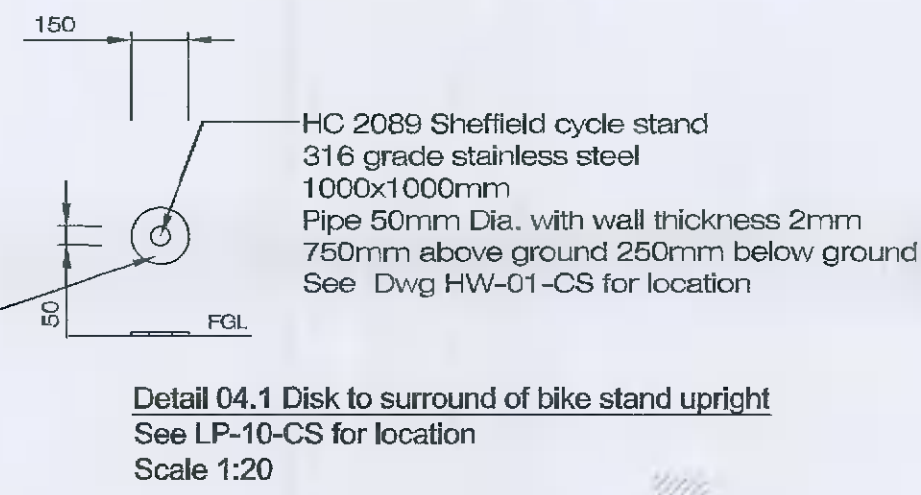


Detail D 01 Drawing LD-03-PP  
Litter bins to central green / neighbourhood park  
Scale @ 1:20

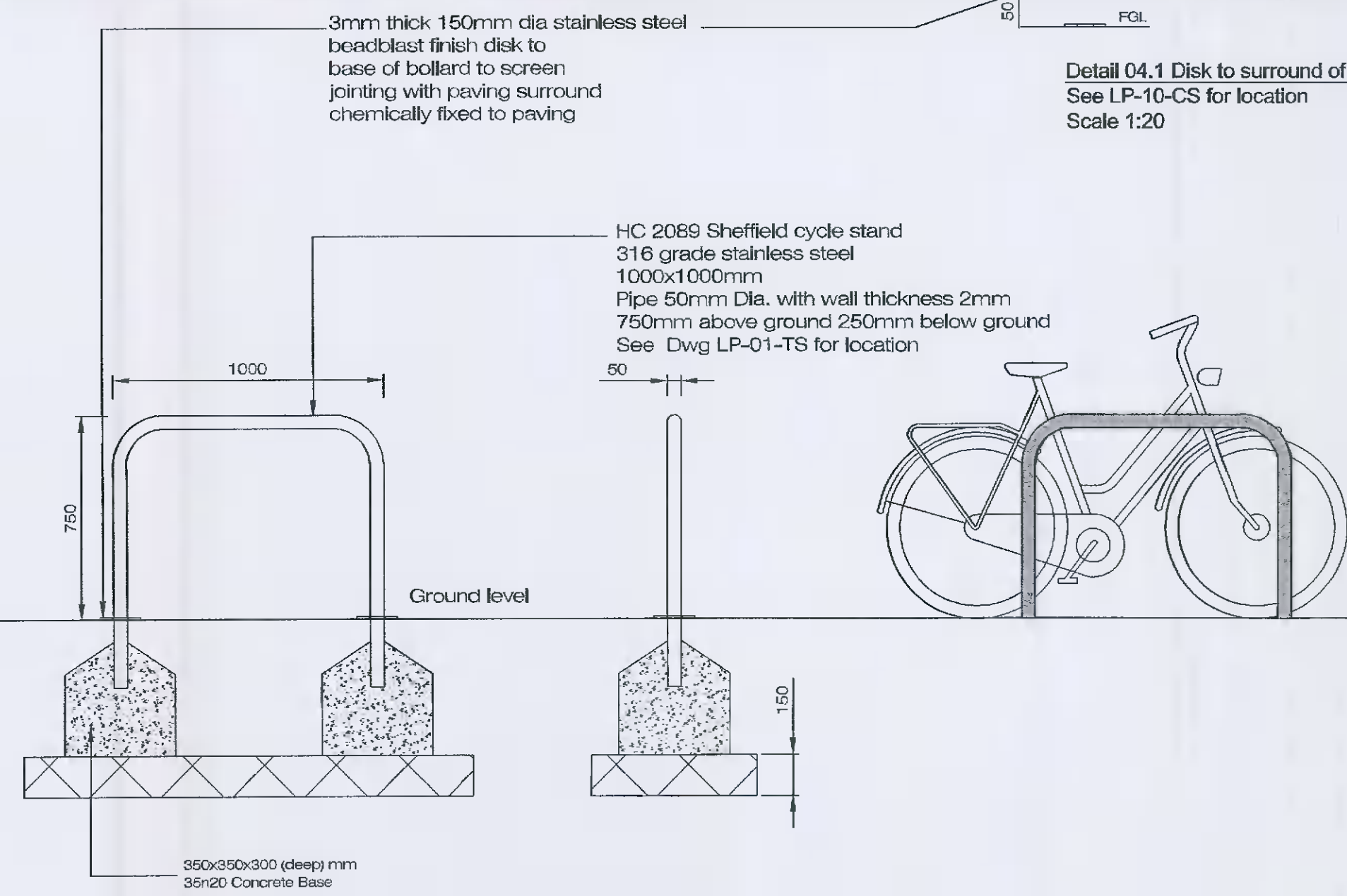
1000mm High Bollard above finished ground level  
3mm thick Brushed 316 grade stainless steel with polished cap top section.



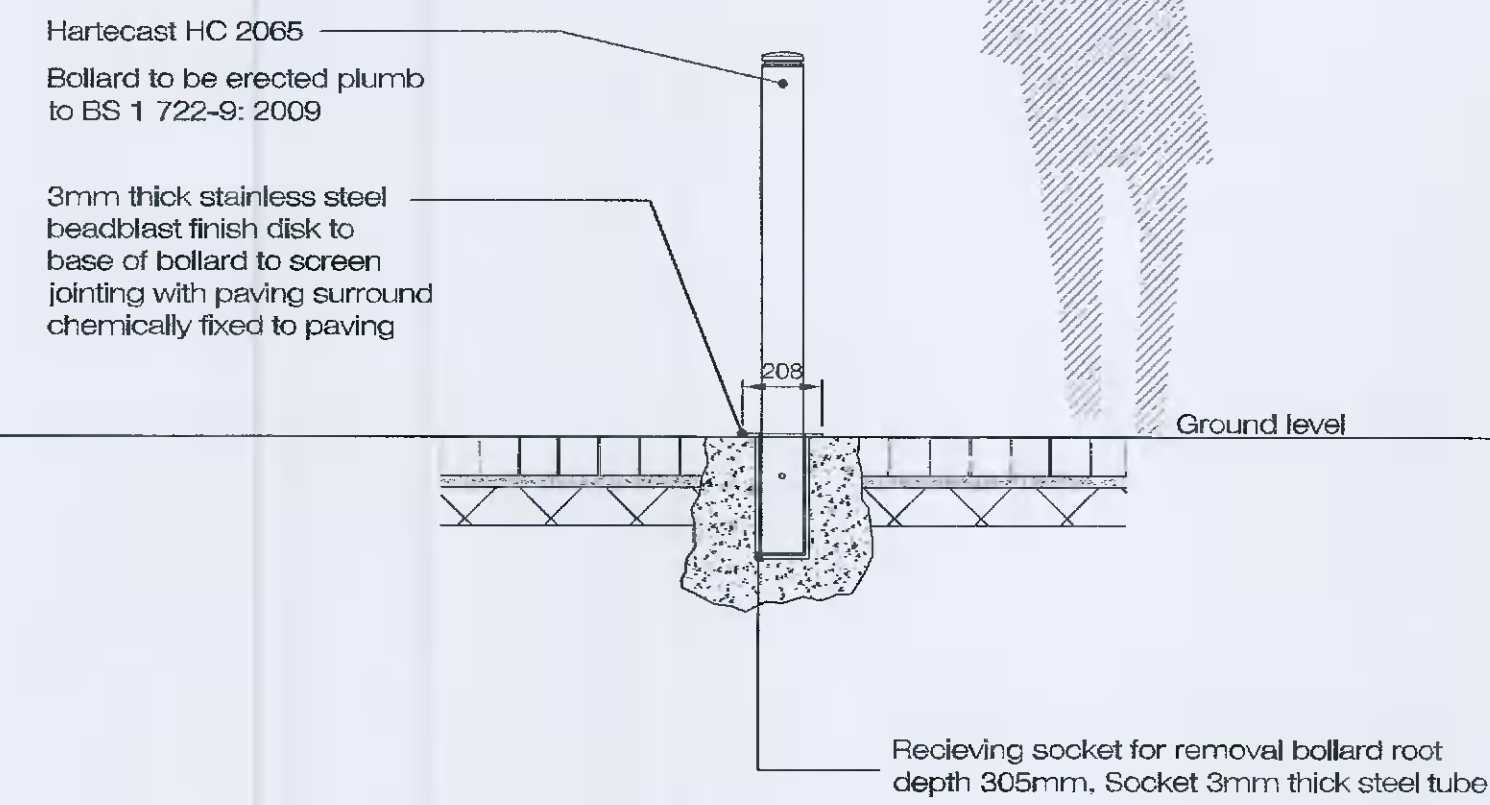
Detail D 02 Drawing LD-03-PP  
Fixed bollards to public areas access points.  
Scale @ 1:20



Detail 04.1 Disk to surround of bike stand upright  
See LP-10-CS for location  
Scale 1:20



Detail D 03 Drawing LD-03-PP  
Visitor Bike stands to central green / neighbourhood park.  
(Sheffield Bike Stands)  
Scale @ 1:20



Detail D 04 Drawing LD-03-PP  
Removable bollards to public areas access points.  
Scale @ 1:20

Rev.	Desc.	Date

Project name: <b>Aderrig Phase 2 Residential Development</b>	Project number: <b>17-064</b>
Drawing name: <b>Hardworks Landscape Site Furniture Details</b>	Drawing number: <b>LD-03-PP</b>

Drawing scale @ A1: <b>1:20</b>	Drawn by: <b>d+ot</b>	Checked by: <b>ld</b>
Status: <b>Planning Application</b>		Date: <b>17.05.2021</b>

Contact details: Linda Doyle (Director) mobile: 087 267 4195 e-mail: linda@doyle-otroithigh.com Daire O'Troithigh (Director) mobile: 086 300 3409 e-mail: daire@doyle-otroithigh.com	Office address: Pembroke House, 25-26 Upper Pembroke St, Dublin 2.
--	---