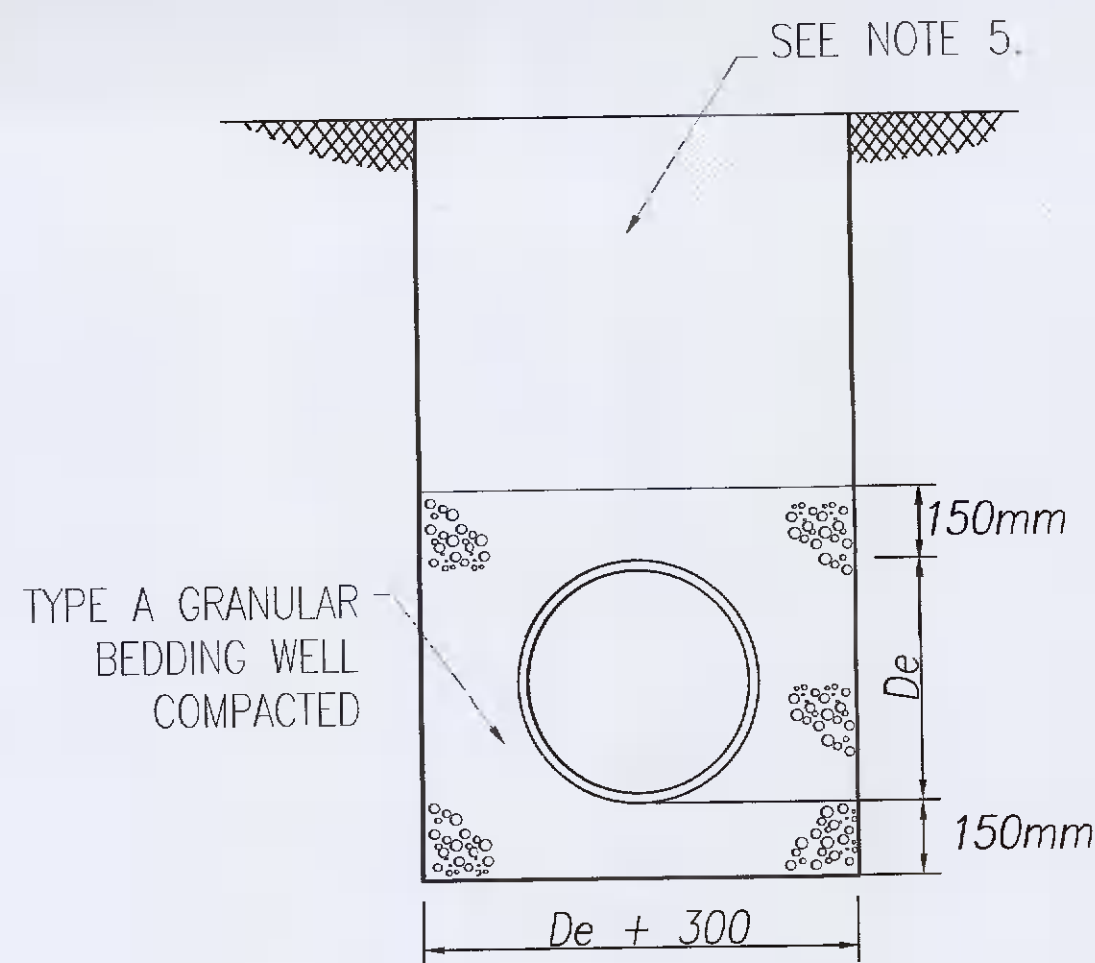
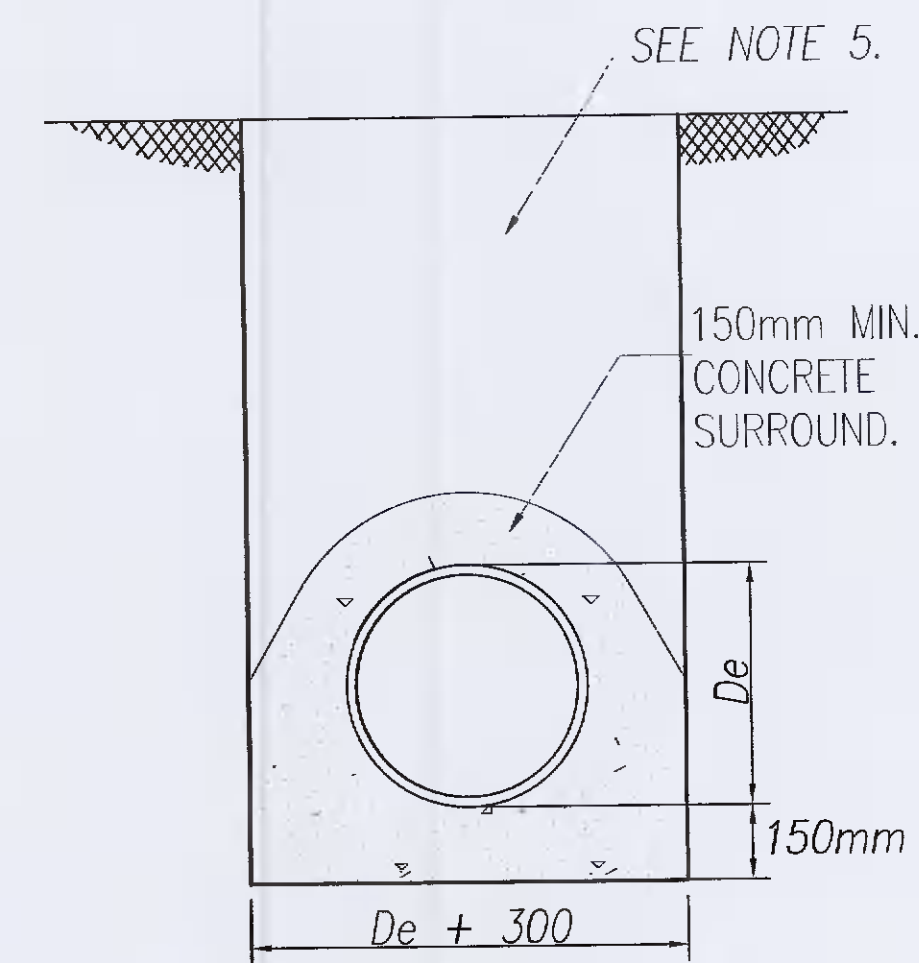


**TYPICAL SADDLE CONNECTION
DETAIL TO PUBLIC SEWER**
Scale 1:25

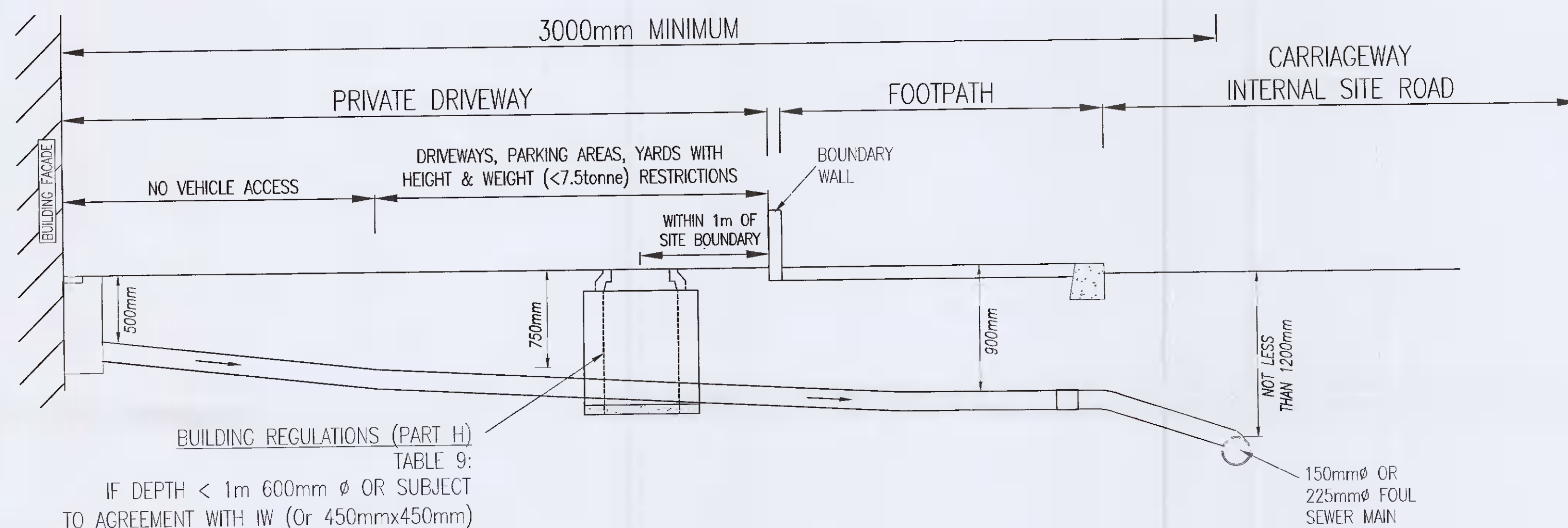


**GRANULAR BED AND
SURROUND**



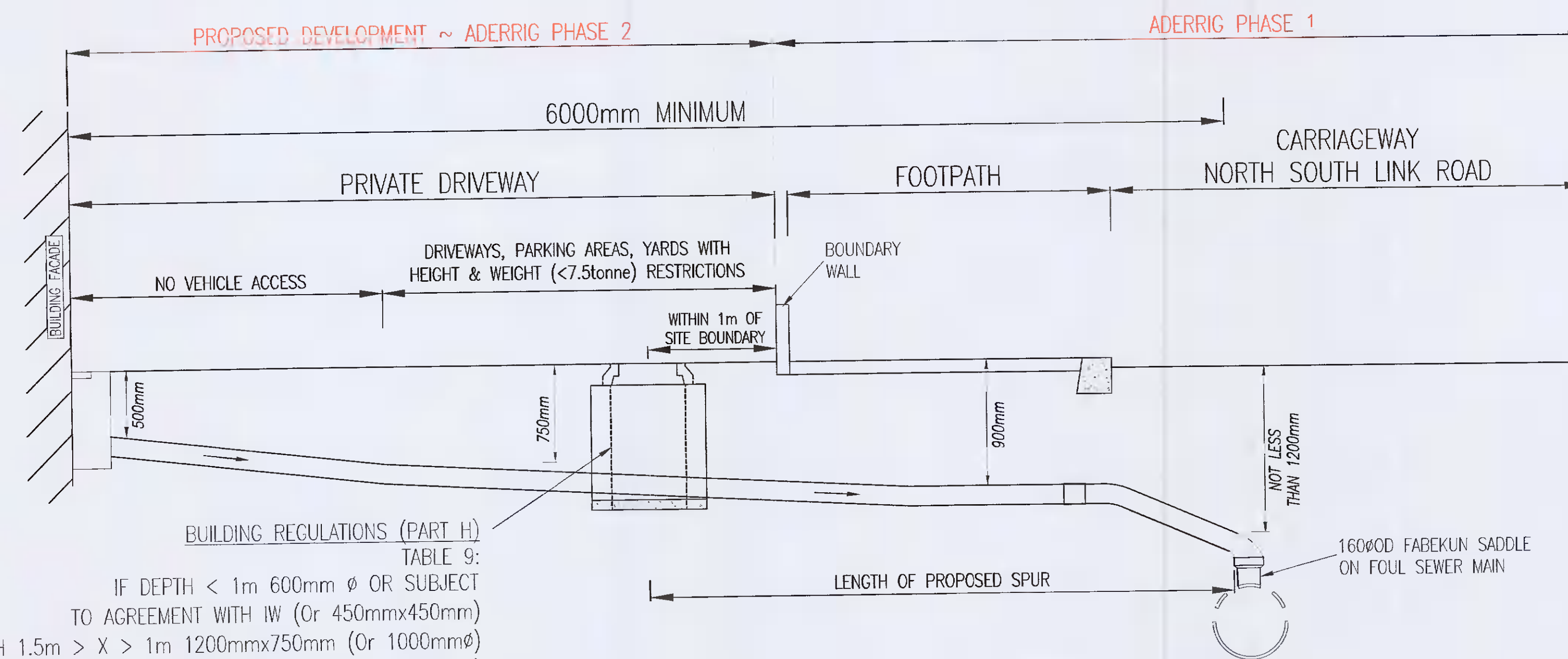
**CONCRETE BED AND SURROUND
WHEN COVER IS LESS THAN 1.2m UNDER
ROADS AND FOOTPATHS**

- NOTES:
- DO NOT SCALE. USE FIGURED DIMENSIONS ONLY.
 - THIS DRAWING IS TO BE READ IN CONJUNCTION WITH ALL OTHER RELEVANT ARCHITECTURAL, ENGINEERING DRAWINGS AND THE GREATER DUBLIN REGIONAL CODE OF PRACTICE V6.0.
 - TYPE A GRANULAR FILL SHALL CONSIST OF WASHED PEA GRAVEL. ALL MATERIAL SHALL PASS A 19mm B.S. SIEVE TEST AND SHALL BE RETAINED BY A 4.75mm B.S. SIEVE TEST.
 - SELECTED FILL SHALL BE FREE FROM STONES GREATER THAN 25mm IN SIZE, BUILDERS RUBBLE, VEGETABLE MATTER AND LUMPS OF CLAY GREATER THAN 75mm IN SIZE AND SHALL BE COMPACTED IN 150mm LAYERS.
 - IN OPEN SPACES BACKFILL SHALL CONSIST OF SUITABLE SELECTED EXCAVATED MATERIAL. UNDER PAVED AREAS BACKFILL SHALL CONSIST OF CLAUSE 808. GENERAL BACKFILL SHALL BE COMPACTED IN LAYERS NOT EXCEEDING 150mm THICK.
 - CONCRETE BED AND SURROUND SHALL BE USED ON ALL PIPES WHERE COVER TO THE SOFFIT OF THE PIPE IS LESS THAN 1.2m IN ROADS, FOOTPATHS AND GRASS MARGINS AND 0.9m IN OPEN SPACES AND FIELDS.
 - ALL CONCRETE FOR PIPE BEDDING, HAUNCHING AND SURROUNDS SHALL BE GRADE CL 20/20mm.
 - ALL MANHOLES SHALL BE WATER TIGHT TO THE SATISFACTION OF THE LOCAL AUTHORITY/COUNCIL.
 - FORMWORK TO REINFORCED CONCRETE AND MASS CONCRETE SHALL BE CLASS F2.
 - CLASS U2 FINISH TO THE TOP OF SLABS. REINFORCEMENT TO SLABS TO ENGINEERS DETAILS.
 - 200mm THICK CL 30/20mm MASS CONCRETE FOUNDATIONS. 225 THICK PRECAST R.C. ROOF SLAB IN CL 30/20mm CONCRETE. COVER TO STEEL TO BE 40mm.
 - 100 HOLES OF 230mm MINIMUM DEPTH AND GALVANIZED STEEL SAFETY RAILINGS TO BE PROVIDED IN REINFORCING OF SEWERS GREATER THAN 525mm DIAMETER AND DEPTH TO INVERT >3m FOR ACCESS TO INVERT.
 - A SAFETY CHAIN IS TO BE PROVIDED ON SEWER PIPES THAT EXCEED 450mm IN DIAMETER. MILD STEEL SAFETY CHAIN SHALL BE 10mm NOMINAL SIZE GRADE M10 (NON GALVANIZED) CHAIN, TYPE 1, COMPLYING WITH B.S.4942 PART 2 OR EQUIVALENT.
 - WHEN DEPTH OF MANHOLES TO INVERT IS GREATER THAN 3.0m LADDERS SHALL BE USED INSTEAD OF RUNGS. FIXED LADDERS SHOULD MEET THE DIMENSIONAL REQUIREMENTS OF B.S.4211 OR EQUIVALENT EXCEPT THAT STRINGERS SHOULD NOT BE LESS THAN 65 X 12mm IN SECTION AND RUNGS 25mm IN DIAMETER.
 - LADDER STRINGERS SHOULD BE ADEQUATELY SUPPORTED FROM THE MANHOLE WALL AT INTERVALS OF NOT MORE THAN 2.0m STRINGERS SHOULD BE BOLTED TO CLEATS TO FACILITATE REMOVAL.
 - ALL LADDERS, RUNGS, HANDRAILS, SAFETY CHAIN, ETC. SHALL BE HOT DIPPED GALVANIZED TO B.S.729 OR EQUIVALENT.
 - ALL DRAINAGE WORKS SHALL BE CONSTRUCTED STRICTLY IN ACCORDANCE WITH SOUTH DUBLIN COUNTY COUNCIL REQUIREMENTS FOR TAKING IN CHARGE AND GREATER DUBLIN REGIONAL CODE OF PRACTICE FOR DRAINAGE WORKS.
 - PERTAINING TO FOUL WATER DRAINAGE WORKS - IT IS THE CONTRACTORS RESPONSIBILITY TO ENSURE THAT ALL WORKS ARE CONSTRUCTED IN ACCORDANCE WITH THE IRISH WATER CODE OF PRACTICE AND STANDARD DETAILS. THE CODE OF PRACTICE AND STANDARD DETAILS ARE AVAILABLE TO DOWNLOAD FROM THE IRISH WATER WEB SITE AT WWW.WATER.ie/CONNECTIONS/DEVELOPER-SERVICES/ WHERE THE DETAILS CONTAINED ON THIS DRAWING DIFFER FROM THE IRISH WATER CODE OF PRACTICE OR STANDARD DETAILS THIS MUST BE BROUGHT TO THE ATTENTION OF THE ENGINEER IMMEDIATELY. IRISH WATER STANDARDS WILL TAKE PRECEDENCE.



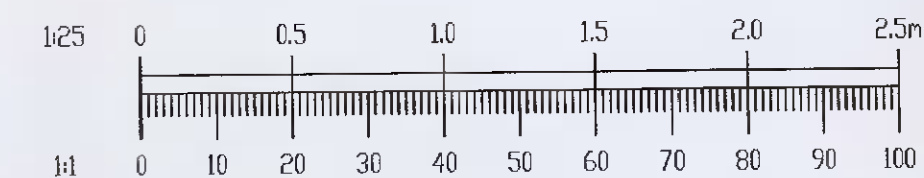
BUILDING REGULATIONS (PART H)
TABLE 9:
IF DEPTH < 1m 600mm Ø OR SUBJECT
TO AGREEMENT WITH IW (Or 450mmx450mm)
IF DEPTH 1.5m > X > 1m 1200mmx750mm (Or 1000mmØ)
IF DEPTH OVER 1.5m 1200mmx750mm (Or 1200mmØ)

WASTEWATER SERVICE CONNECTION TO PROPOSED 150/225mmØ
Scale 1:50



BUILDING REGULATIONS (PART H)
TABLE 9:
IF DEPTH < 1m 600mm Ø OR SUBJECT
TO AGREEMENT WITH IW (Or 450mmx450mm)
IF DEPTH 1.5m > X > 1m 1200mmx750mm (Or 1000mmØ)
IF DEPTH OVER 1.5m 1200mmx750mm (Or 1200mmØ)

WASTEWATER SERVICE CONNECTION TO EXISTING 600mmØ
Not to Scale



REV.	DATE	AMENDMENT	DRN	APPD
-	20/05/21	PLANNING ISSUE	PW	IS

STATUS: **FOR PLANNING ONLY
NOT FOR CONSTRUCTION**

Waterman Moylan
Engineering Consultants
BLOCK 5, EASTPOINT BUSINESS PARK, ALFIE BYRNE ROAD,
DUBLIN D03 H3F4 IRELAND.
Tel: (01) 664 8800 Fax: (01) 661 3618
Email: info@waterman-moylan.ie www.waterman-moylan.ie

CLIENT	QUINTAIN DEVELOPMENTS IRELAND LTD
ARCHITECT	BKD ARCHITECTS
PROJECT	ADERRIG PHASE 2
TITLE	SURFACE WATER CONSTRUCTION DETAILS SHEET 2 OF 2 (INCLUDING WASTEWATER DETAIL)

DRAWN	DESIGNED	APPROVED	DATE
MK	PI	IS	MAY 2021
SCALE	JOB NO.	DRG. NO.	REVISION
AS SHOWN@A1	20-108	P221	-