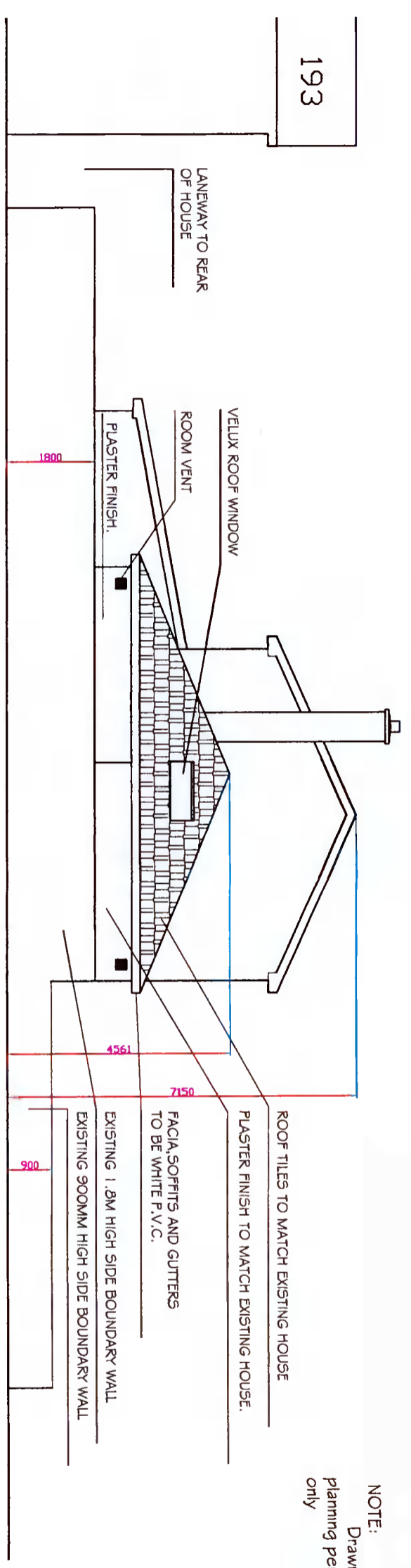
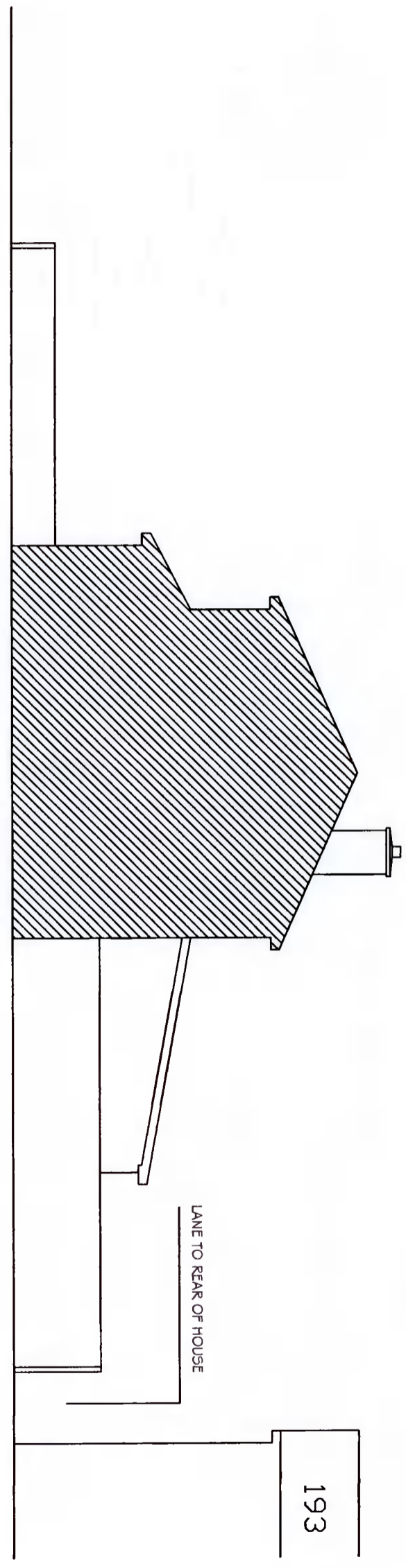


NOTE: Drawings for planning permission only
 NOTE: Do not scale off drawings, check all drawing dimensions on site



NORTH ELEVATION:



SOUTH ELEVATION:

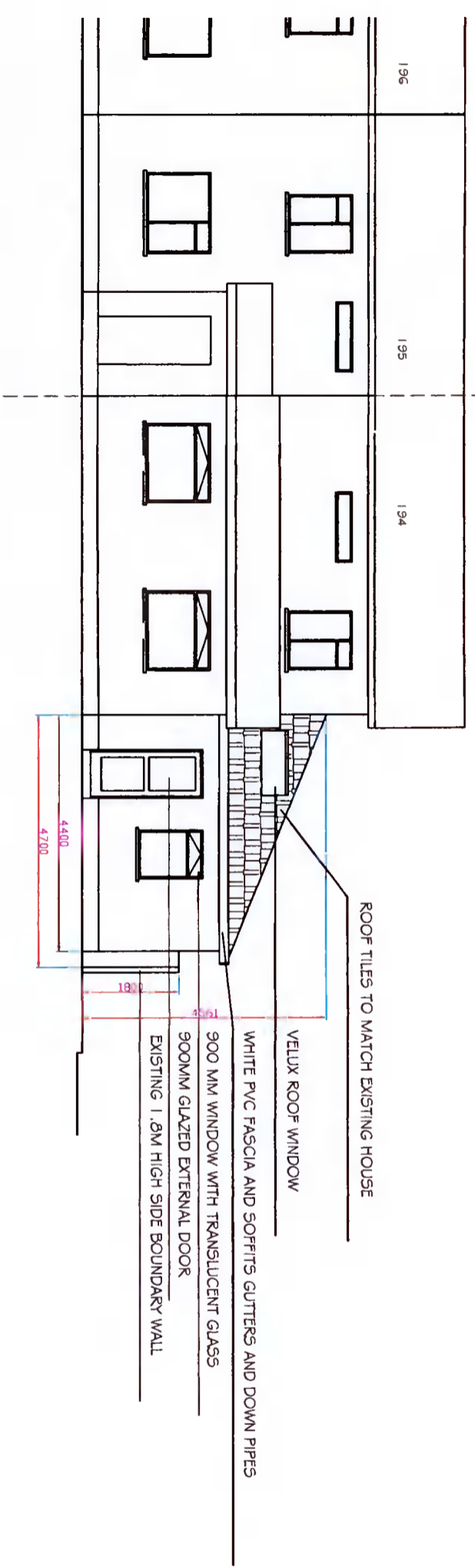
Itemref	Quantity	Title/Name, designation, material, dimension etc		Article No./Reference
Designed by J ROCHFORD	Checked by JR	Approved by - date 06/05/21	File name Elaine/Roy	Date 06/05/21
JOHN ROCHFORD JARRETTOWN CROSS DUNBOYNE CO MEATH TEL: 01 8015149				E/AINE/ROY O BRIEN 194 ARTHUR GRIFFITH PARK LUCAN CO DUBLIN
				Edition 0
				Scale 1:100
				Sheet 3

RevNo Revision note

Date

Signature Checked

NOTE: Drawings for planning permission only
NOTE: Do not scale off drawings, check all drawing dimensions on site



EAST ELEVATION:



WEST ELEVATION:

Itemref	Quantity	Title/Name, designation, material, dimension etc	Article No./Reference
Designed by J ROCHFORD	Checked by JR	Approved by - date 06/05/21	File name ElaineRoy
JOHN ROCHFORD JARRETSTOWN CROSS DUNBOYNE CO MEATH TEL: 01 8015149		Date 06/05/21	
		Elaine/Roy O'Brien	
		194 ARTHUR GRIFFITH PARK LUCAN CO DUBLIN	
		Edition 0	
		Scale 1:100	
		Sheet 4	