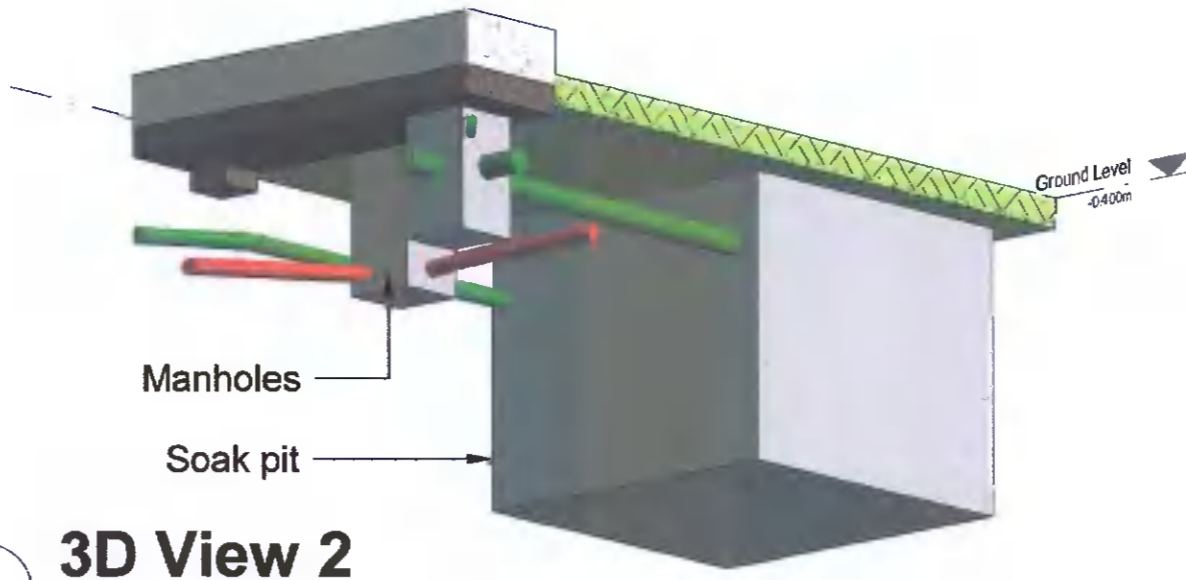


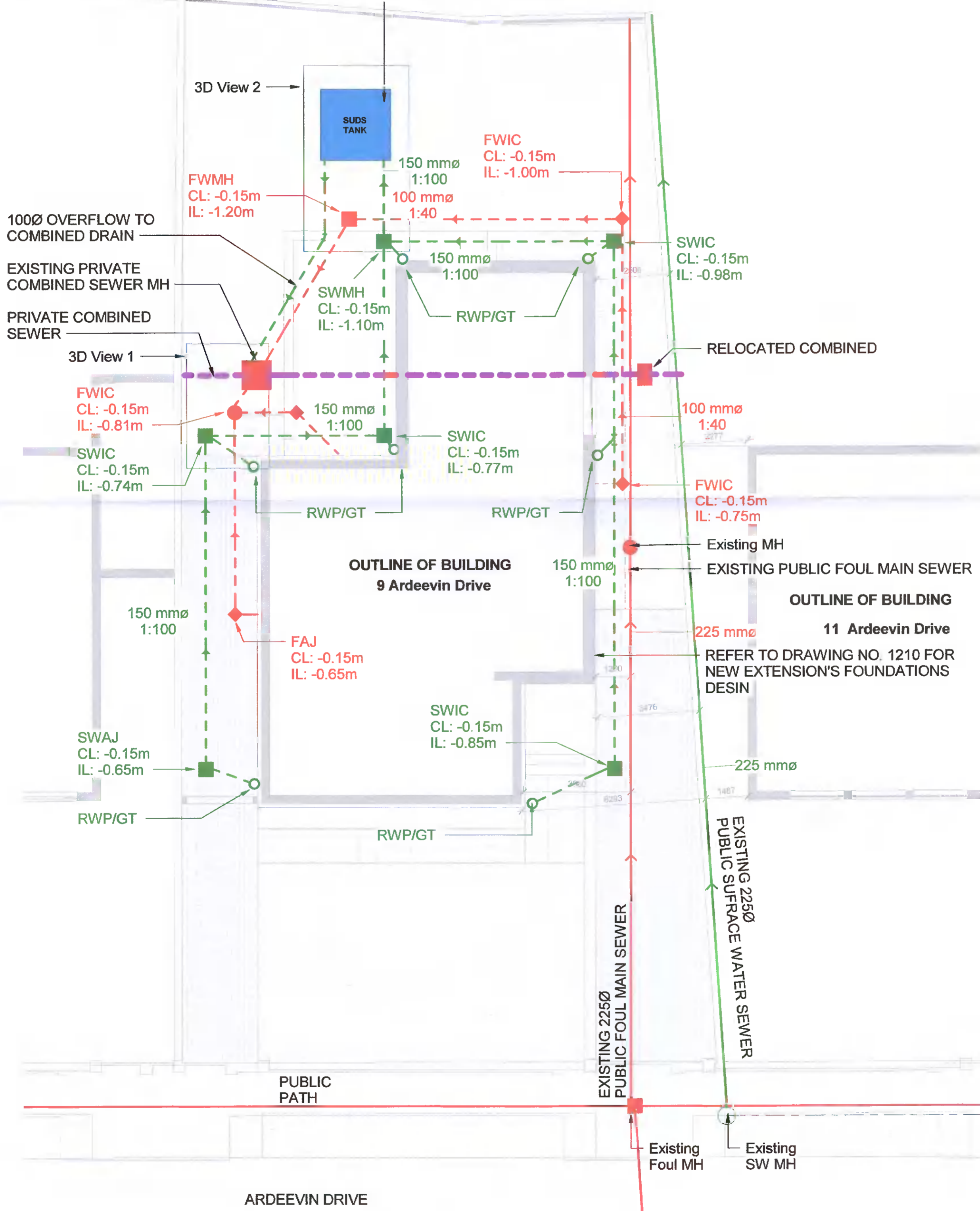
2 3D View 1



3 3D View 2

LEGEND	
	EXISTING FOUL SEWER
	EXISTING STORM SEWER
	PROPOSED FOUL DRAIN
	PROPOSED SW DRAIN
	EXISTING COMBINED DRAIN

Surface Water Soak Pit (2.4m x 2.4m x 2m) - size to be calculated in line with BRE Digest 365 "Soakaway Design"



1 Underground Services Layout
1 : 100

All dimensions to be checked on site. Figured dimensions take preference over scaled dimensions. Any errors or discrepancies to be reported to the Architects. This drawing may not be edited or modified by the recipient.
Copyright and ownership of this drawing is vested in Rory O'Brien, whose prior written consent is required for its use, reproduction or for publication to any third party.

PROJECT:
9 ARDEEVIN DRIVE, LUCAN, CO. DUBLIN
ALTERATIONS AND EXTENSION TO PRIVATE HOUSE

DRAWING TITLE: Underground Services
DRAWING NO: 1120

PREPARED BY: Rory O'Brien
REV: DATE: 01/05/2021
SCALE: @A2 As indicated

STAMP: PLANNING - FURTHER INFORMATION