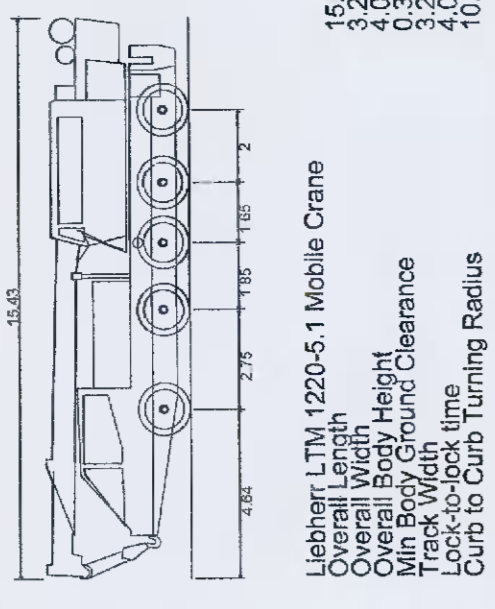


**GENERAL NOTES**

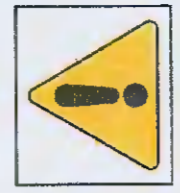
- DO NOT SCALE THIS DRAWING. WORK ONLY TO FIGURED DIMENSIONS.
- FOR ALL RELEVANT NOTES, REFER TO STRUCTURAL AND CIVIL ENGINEERING PERFORMANCE SPECIFICATION.
- ANY DISCREPANCIES ARE TO BE REPORTED TO PINNACLE CONSULTING ENGINEERS IMMEDIATELY.
- THIS DRAWING IS TO BE READ IN CONJUNCTION WITH ALL OTHER RELEVANT ENGINEERS, ARCHITECTS AND SUB-CONTRACTORS DRAWINGS AND DETAILS.



Liebherr LTM 1220-5.1 Mobile Crane  
 Overall Height 15,430mm  
 Overall Width 3,230mm  
 Overall Depth 6,100mm  
 Track Width 3,230mm  
 Lock-to-lock line 4,018mm  
 Curb to Curb Turning Radius 10,168mm

**HEATH & SAFETY NOTE**

THIS DRAWING IS ISSUED FOR INFORMATION ONLY AND SUBJECT TO REVIEW BY SPECIALIST HAULAGE CONTRACTOR.  
 CRANE MANEUVERS (POTENTIALLY INCLUDING REVERSING) WITHIN A SHARED ACCESS ROUTE, IT IS RECOMMEND THAT WORKS CARRIED OUT BY CRANE ARE DONE OUT OF HOURS WITH NO STAFF PRESENT.  
 A BANKS MAN MUST BE IN PLACE TO SUPERVISE ALL MANEUVERS.  
 RISK OF ROAD TRAFFIC COLLISION



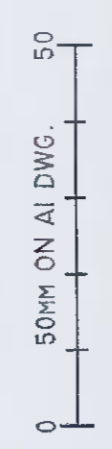
**DESIGN ISSUE**

ACCESS ROAD AROUND GAS PLANT CAN NOT ACCOMMODATE TWO WAY TRAFFIC DUE TO SWEEP PATH OF CRANE  
 ACCESS ROAD TO OPERATE WITH A STOP/GO SYSTEM IN PLACE TO PREVENT TWO HGV'S MEETING.



**DESIGN ISSUE**

CONFIRMATION REQUIRED FROM CLIENT THAT CRANE SPECIFICATIONS SUITABLE AS THE AUTO TRACK IS DRAWN.



REV	DESCRIPTION	BY	CHK	DATE
PK5	LAYOUT COORDINATION	RK	RK	15/02/21
PK4	LAYOUT COORDINATION	RK	RK	15/02/21
PK3	LAYOUT COORDINATION	RK	RK	14/01/21
PK2	SECURITY GATE LOCATION UPDATED	RK	RK	11/01/21

CLIENT  
**EDGECONNEX**

PROJECT  
**GAS PLANT (WEST)**

DRAWING TITLE  
**EDUDUB05  
 CRANE ACCESS  
 GAS PLANT**

**PINNACLE**  
 CONSULTING ENGINEERS

GROSVENOR COURT,  
 67A PATRICK STREET,  
 DUN LAOGHAIRE,  
 DUBLIN  
 IRELAND  
 WELWYN GARDEN CITY | NORWICH | LONDON | THE HAGUE  
 TELEPHONE: +353 231 1041

DRAWING STATUS		PLANNING	
SCALE	# AI	DATE	DRAWN BY
1:500		DEC '20	RK
			JM
DRG NO	P201107-PIN-XX-DR-D-0013-S1	REVISION	P05

